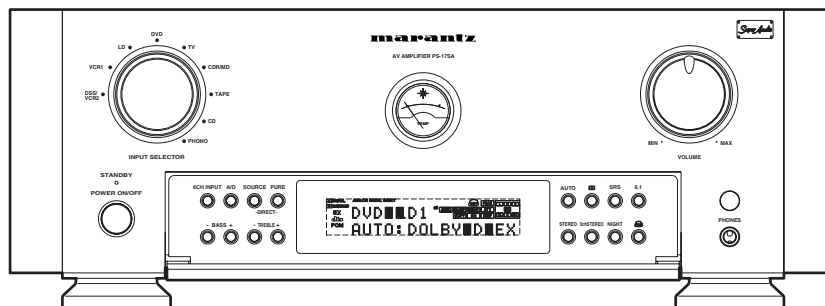


Service Manual

PS17 /F1N,/L1G,/N1G,/S1G

AV Amplifier



PS-17SA

TABLE OF CONTENTS

SECTION	PAGE
1. TECHNICAL SPECIFICATIONS	1
2. TEST EQUIPMENT REQUIRED FOR SERVICING	1
3. WIRING DIAGRAM	3
4. BLOCK DIAGRAM	5
5. SCHEMATIC DIAGRAM	7
6. PARTS LOCATION	27
7. IC DATA	39
8. EXPLODED VIEW AND PARTS LIST	47
9. DC OFFSET VOLTAGE ALIGNMENT	49
10. IDLING CURRENT ALIGNMENT	49
11. TROUBLE SHOOTING	50
12. TECHNICAL DESCRIPTION	53
13. ELECTRICAL PARTS LIST	54

Please use this service manual with referring to the user guide (D.F.U.) without fail.
修理の際は、必ず取扱説明書を準備し操作方法を確認の上作業を行ってください。

marantz®

PS-17 / PS-17SA

MARANTZ DESIGN AND SERVICE

Using superior design and selected high grade components, **MARANTZ** company has created the ultimate in stereo sound. Only original **MARANTZ** parts can insure that your **MARANTZ** product will continue to perform to the specifications for which it is famous.

Parts for your **MARANTZ** equipment are generally available to our National Marantz Subsidiary or Agent.

ORDERING PARTS :

Parts can be ordered either by mail or by Fax.. In both cases, the correct part number has to be specified.

The following information must be supplied to eliminate delays in processing your order :

1. Complete address
2. Complete part numbers and quantities required
3. Description of parts
4. Model number for which part is required
5. Way of shipment
6. Signature : any order form or Fax. must be signed, otherwise such part order will be considered as null and void.

USA

MARANTZ AMERICA, INC.
440 MEDINAH ROAD
ROSELLE, ILLINOIS 60172
USA
PHONE : 630 - 307 - 3100
FAX : 630 - 307 - 2687

EUROPE / TRADING

MARANTZ EUROPE B.V.
P.O.BOX 80002, BUILDING SFF2
5600 JB EINDHOVEN
THE NETHERLANDS
PHONE : +31 - 40 - 2732241
FAX : +31 - 40 - 2735578

BRAZIL

PHILIPS DA AMAZONIA IND. ELET. ITDA
CENTRO DE INFORMACOES AO
CEP 04698-970
SAO PAULO, SP, BRAZIL
PHONE : 0800 - 123123(Discagem Direta Gratuita)
FAX : +55 11 534. 8988

PROFESSIONAL AMERICAS

SUPERSCOPE TECHNOLOGIES, INC.
MARANTZ PROFESSIONAL PRODUCTS
2640 WHITE OAK CIRCLE, SUITE A
AURORA, ILLINOIS 60504 USA
PHONE : 630 - 820 - 4800
FAX : 630 - 820 - 8103

PROFESSIONAL AUSTRALIA

TECHNICAL AUDIO GROUP PTY, LTD
558 DARLING STREET,
BALMAIN, NSW 2041,
AUSTRALIA
PHONE : 61 - 2 - 9810 - 5300
FAX : 61 - 2 - 9810 - 5355

CANADA

LENBROOK INDUSTRIES LIMITED
633 GRANITE COURT,
PICKERING, ONTARIO L1W 3K1
CANADA
PHONE : 905 - 831 - 6333
FAX : 905 - 831 - 6936

AUSTRALIA

Qualifi Pty Ltd,
24 LIONEL ROAD,
MT. WAVERLEY VIC 3149
AUSTRALIA
PHONE : +61 - (0)3 - 9543 - 1522
FAX : +61 - (0)3 - 9543 - 3677

THAILAND

MRZ STANDARD CO.,LTD
746 - 754 MAHACHAI ROAD.,
WANGBURAPAPIROM, PHRANAKORN,
BANGKOK, 10200 THAILAND
PHONE : +66 - 2 - 222 9181
FAX : +66 - 2 - 224 6795

SINGAPORE

WO KEE HONG DISTRIBUTION PTE LTD
130 JOO SENG ROAD
#03-02 OLIVINE BUILDING
SINGAPORE 368357
PHONE : +65 858 5535 / +65 381 8621
FAX : +65 858 6078

NEW ZEALAND

WILDASH AUDIO SYSTEMS NZ
14 MALVERN ROAD MT ALBERT
AUCKLAND NEW ZEALAND
PHONE : +64 - 9 - 8451958
FAX : +64 - 9 - 8463554

TAIWAN

PAI- YUING CO., LTD.
6 TH FL NO, 148 SUNG KIANG ROAD,
TAIPEI, 10429, TAIWAN R.O.C.
PHONE : +886 - 2 - 25221304
FAX : +886 - 2 - 25630415

MALAYSIA

WO KEE HONG ELECTRONICS SDN. BHD.
SUITE 8.1, LEVEL 8, MENARA GENESIS,
NO. 33, JALAN SULTAN ISMAIL,
50250 KUALA LUMPUR, MALAYSIA
PHONE : +60 3 - 2457677
FAX : +60 3 - 2458180

JAPAN *Technical*

MARANTZ JAPAN, INC.
35- 1, 7- CHOME, SAGAMIONO
SAGAMIHARA - SHI, KANAGAWA
JAPAN 228-8505
PHONE : +81 42 748 1013
FAX : +81 42 741 9190

日本マランツ株式会社

本社 〒228-8505
神奈川県相模原市相模大野7-35-1
営業本部 〒150-0022
東京都渋谷区恵比寿南1-11-9

KOREA

MK ENTERPRISES LTD.
ROOM 604/605, ELECTRO-OFFICETEL, 16-58,
3GA, HANGANG-RO, YONGSAN-KU, SEOUL
KOREA
PHONE : +822 - 3232 - 155
FAX : +822 - 3232 - 154

SHOCK, FIRE HAZARD SERVICE TEST :

CAUTION : After servicing this appliance and prior to returning to customer, measure the resistance between either primary AC cord connector pins (with unit NOT connected to AC mains and its Power switch ON), and the face or Front Panel of product and controls and chassis bottom.

Any resistance measurement less than 1 Megohms should cause unit to be repaired or corrected before AC power is applied, and verified before it is return to the user/customer.

Ref. UL Standard No. 1492.

In case of difficulties, do not hesitate to contact the Technical Department at above mentioned address.

1. TECHNICAL SPECIFICATIONS

POWER AMP SECTION

Rated Power Output (20 Hz to 20 kHz, 2 ch simultaneous drive)	60 Wx2 (8 Ω load)
	80 Wx2 (6 Ω load)
	100 Wx2 (4 Ω load)

AUDIO SECTION

Total harmonic distortion (20 Hz to 20 kHz, 2 ch drive, 8 Ω load)	0.04 %
Cross-modulation distortion (SMPTE)	0.04 %
Output bandwidth (8 Ω load, 0.07 %)	10 Hz to 30 kHz
Frequency response	5 Hz to 100 kHz (+0 / -1 dB)
Damping factor (8 Ω load, 20 Hz to 20 kHz)	100
Signal to NoiseRatio	100 dB

DECODER SECTION

Decoding	PCM Audio (fs=32 kHz, 44.1 kHz)
Frequency response	
Analog input: Source direct	5 Hz to 100 kHz (+0 / -1 dB)
Digital input: PCM 96 kHz	5 Hz to 45 kHz (+0 / -3 dB)
Signal to Noise Ratio (Source direct mode)	104 dB

VIDEO SECTION

Television Format	PAL / NTSC
Input Level/Impedance	1 Vp-p / 75 Ω
Output Level/Impedance	1 Vp-p / 75 Ω
S/N	60 dB
Video Frequency Response	
Video, S-video	5 Hz to 10 MHz (+0 / -3 dB)
Component video	5 Hz to 45 MHz (+0 / -3 dB)

GENERAL

Power Requirement	AC 100 V 50 / 60 Hz (F version)
	AC 110 V 60 Hz (L version)
	AC 230 V 50 Hz (N,S version)

Dimension (MAX)

Width	458 mm
Height.....	166 mm
Depth	491 mm
Weight	19.0 Kg

ACCESSORIES

Remote Control Unit RC-17PS	1
AA-size batteries	2

Specifications subject to change without prior notice.

2. TEST EQUIPMENT REQUIRED FOR SERVICING

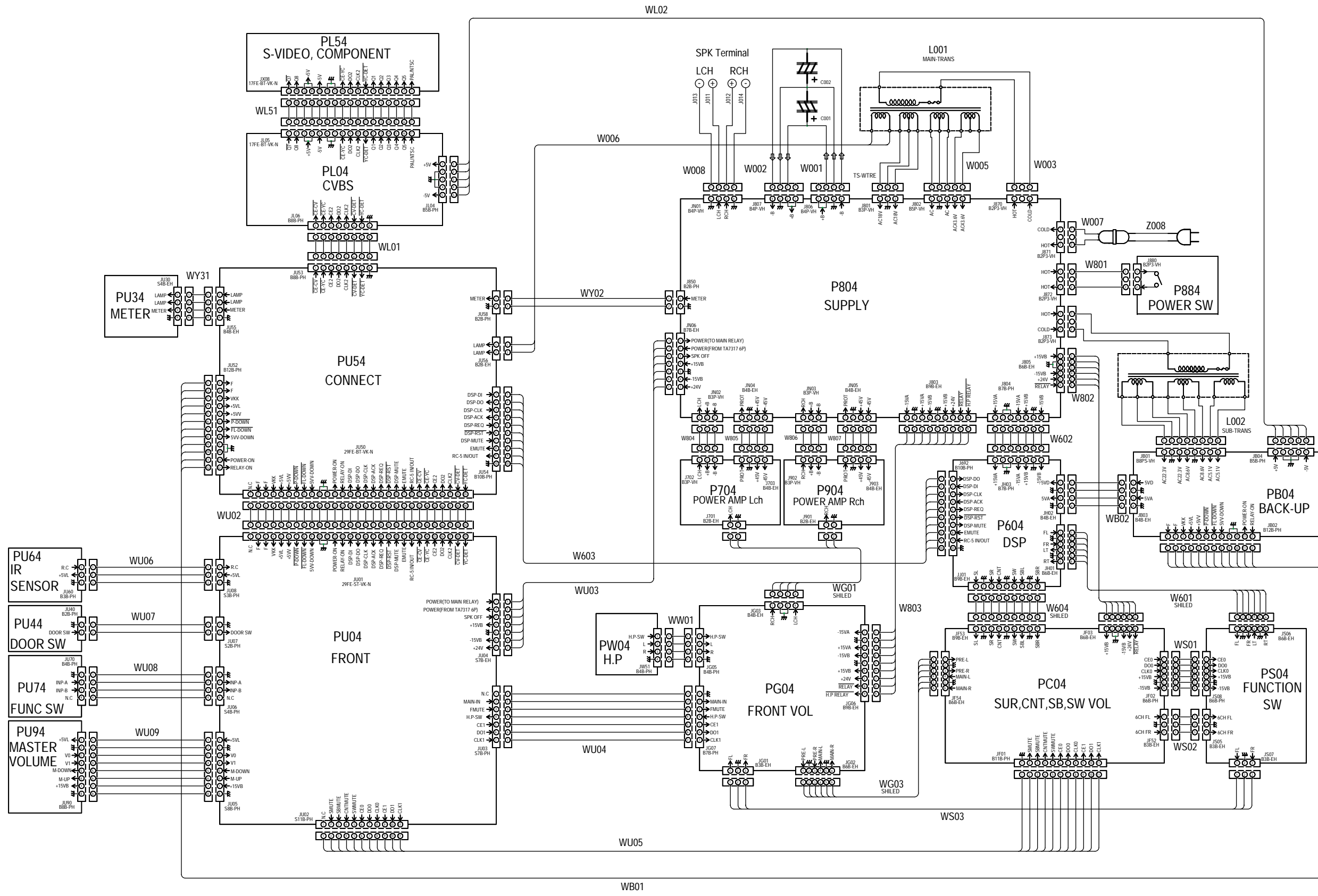
Item 項 目	Use 使用 方 法
Distortion Analyzer 歪率計	Distortion measurements 歪の測定
Audio Oscillator 低周波発振器	Sinewave and squarewave signal source 正弦波及び矩形波の信号源
AC VTVM 交流電圧計	Voltage measurements (AC) 交流電圧の測定
Oscilloscope オシロスコープ	Waveform analysis and trouble shooting and ASO alignment 波形分析、トラブルシューティング及び ASO の調整
DC VTVM 直流電圧計	Voltage measurements (DC) 直流電圧の測定
AC Wattmeter 交流ワットメーター	Monitors primary power to amplifier アンプの一次側消費電力のモニター
Line Voltmeter 電源電圧計	Monitors poterntial of primary power to amplifier アンプの一次側消費電圧のモニター
Variable Autotransformer スライダック	Adjust level of primary power to amplifier アンプの一次側電圧の調節
Circuit Tester テスター	Trouble shooting トラブルシューティング
Shorting Plug ショート用プラグ	Shorts amplifier input to eliminate noise pickup 雑音を拾わないようにアンプ入力を短絡する

Remark : Bass signal output from Sub Woofer terminal for PS-17.

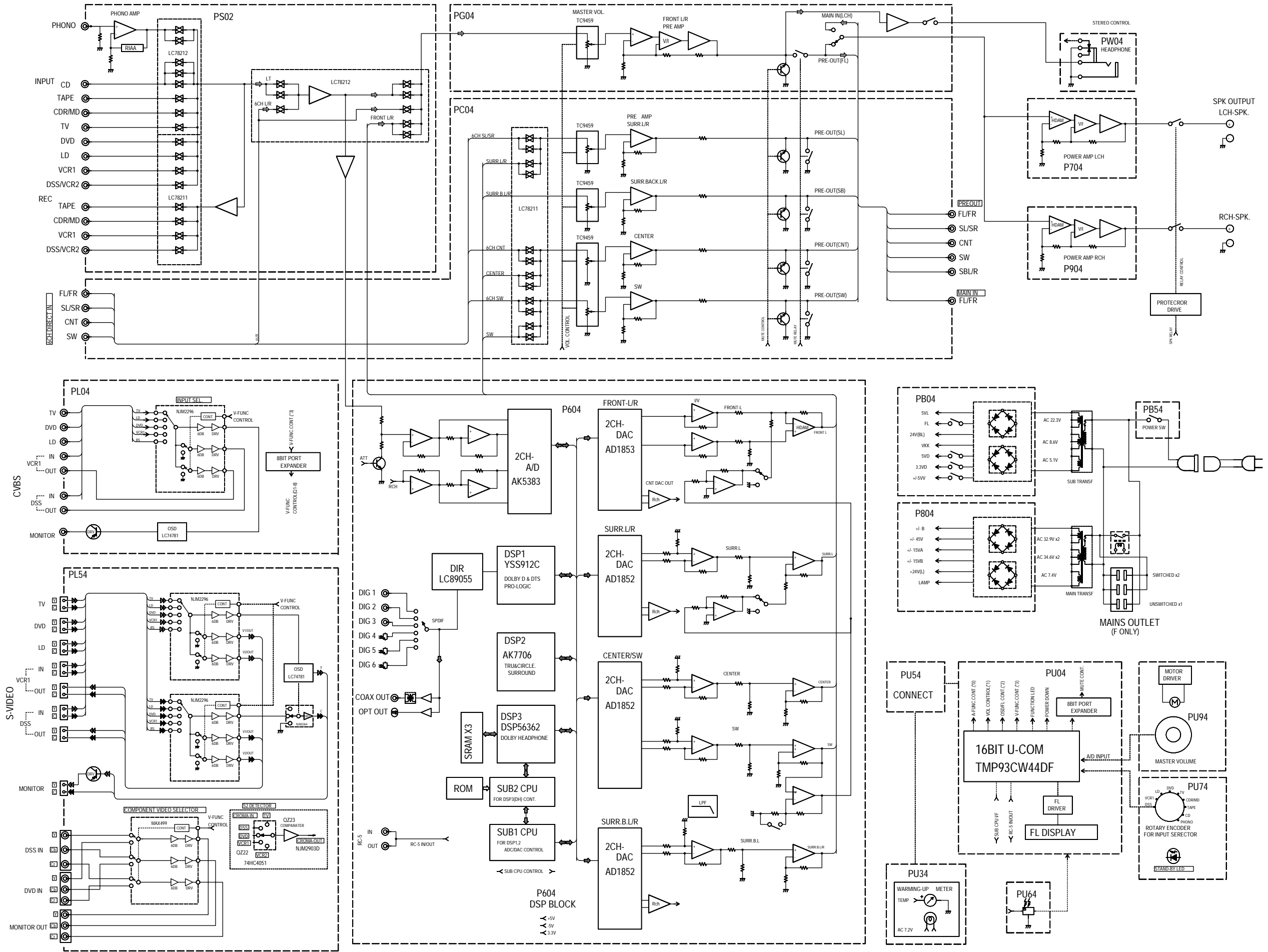
Sub woofer output is not active while all surround modes. Please refer to the following table.

SPK setup			SubWoofer Output by Decoded mode										Mute Channel	NOTES
Sub Woofer	Front	Center	Surr. L/R	Surr. B (L/R)	6.1 (AC-3/DTS)	Dolby (AC-3 ≠ 2ch)	Dolby (Pro Logic)	US (input 5.1ch) * = DD/DTS	TS (input 5.1ch) (Main spk L fix)	CS (input 2ch)	CS-V (input 2ch) (Main spk L fix)	Stereo /karaoke		
Yes	Large	Large	Large	Small	LFE	LFE	none	LFE	non Surr.mode	L+R	non Surr.mode	L+R	-	
					LFE+Sb	LFE	none	LFE	non Surr.mode	L+R	non Surr.mode	L+R	-	
None	Small	Small	None	None	LFE	LFE	none	LFE	non Surr.mode	L+R	non Surr.mode	L+R	Surr.Back	
					LFE+SL+SR	LFE+SL+SR	none	LFE+SL+SR	non Surr.mode	L+R	non Surr.mode	L+R	-	
					LFE+SL+SR+Sb	LFE+SL+SR	none	LFE+SL+SR	non Surr.mode	L+R	non Surr.mode	L+R	-	
					LFE+SL+SR	LFE	non Surr.mode	LFE	non Surr.mode	L+R	non Surr.mode	L+R	Surr.Back	
					LFE+C	LFE+C	C	LFE+C	non Surr.mode	L+R	non Surr.mode	L+R	Surr.,Surr.Back	
					LFE+C+Sb	LFE+C	C	LFE+C	non Surr.mode	L+R	non Surr.mode	L+R	-	
					LFE+C	LFE+C	C	LFE+C	non Surr.mode	L+R	non Surr.mode	L+R	-	
					LFE+C+SL+SR	LFE+C+SL+SR	C	LFE+C+SL+SR	non Surr.mode	L+R	non Surr.mode	L+R	Surr.Back	
					LFE+C+SL+SR+Sb	LFE+C+SL+SR	C	LFE+C+SL+SR	non Surr.mode	L+R	non Surr.mode	L+R	-	
					LFE+C+SL+SR	LFE+C+SL+SR	C	LFE+C+SL+SR	non Surr.mode	L+R	non Surr.mode	L+R	Surr.Back	
None	Small	None	None	None	LFE	LFE	non Surr.mode	LFE	non Surr.mode	L+R	non Surr.mode	L+R	Surr.,Surr.Back	
					LFE+C	LFE	none	LFE	non Surr.mode	L+R	non Surr.mode	L+R	Center	
					LFE+Sb	LFE	none	LFE	non Surr.mode	L+R	non Surr.mode	L+R	Center	
					LFE	LFE	none	LFE	non Surr.mode	L+R	non Surr.mode	L+R	Center	
					LFE+SL+SR	LFE+SL+SR	none	LFE+SL+SR	non Surr.mode	L+R	non Surr.mode	L+R	Center	
					LFE+SL+SR+Sb	LFE+SL+SR	none	LFE+SL+SR	non Surr.mode	L+R	non Surr.mode	L+R	Center	
					LFE+SL+SR	LFE+SL+SR	none	LFE+SL+SR	non Surr.mode	L+R	non Surr.mode	L+R	Center	
					LFE	LFE	non Surr.mode	LFE	non Surr.mode	L+R	non Surr.mode	L+R	Center	
					LFE+L+R	LFE+L+R	L+R	LFE+L+R	non Surr.mode	L+R	non Surr.mode	L+R	CNT,Surr,Back	
					LFE+L+R+Sb	LFE+L+R	L+R	LFE+L+R	non Surr.mode	L+R	non Surr.mode	L+R	CNT,Surr,Surr,Back	
Small	Small	None	None	None	LFE+L+R	LFE+L+R	L+R	LFE+L+R	non Surr.mode	L+R	non Surr.mode	L+R	-	
					LFE+L+R+Sb	LFE+L+R	L+R	LFE+L+R	non Surr.mode	L+R	non Surr.mode	L+R	-	
					LFE+L+R	LFE+L+R	L+R	LFE+L+R	non Surr.mode	L+R	non Surr.mode	L+R	Surr.Back	
					LFE+L+R+SL+SR	LFE+L+R+SL+SR	L+R	LFE+L+R+SL+SR	non Surr.mode	L+R	non Surr.mode	L+R	-	
					LFE+L+R+SL+SR+Sb	LFE+L+R+SL+SR	L+R	LFE+L+R+SL+SR	non Surr.mode	L+R	non Surr.mode	L+R	-	
					LFE+L+R+SL+SR	LFE+L+R+SL+SR	L+R	LFE+L+R+SL+SR	non Surr.mode	L+R	non Surr.mode	L+R	Surr.Back	
					LFE+L+R	LFE+L+R	non Surr.mode	LFE+L+R	non Surr.mode	L+R	non Surr.mode	L+R	Surr.,Surr.Back	
					LFE+L+R+C	LFE+L+R+C	L+R+C	LFE+L+R+C	non Surr.mode	L+R	non Surr.mode	L+R	-	
					LFE+L+R+C+Sb	LFE+L+R+C	L+R+C	LFE+L+R+C	non Surr.mode	L+R	non Surr.mode	L+R	-	
					LFE+L+R+C+SL+SR	LFE+L+R+C+SL+SR	L+R+C	LFE+L+R+C+SL+SR	non Surr.mode	L+R	non Surr.mode	L+R	Surr.Back	
None	Small	None	None	None	LFE+L+R+C+SL+SR+Sb	LFE+L+R+C+SL+SR	L+R+C	LFE+L+R+C+SL+SR	non Surr.mode	L+R	non Surr.mode	L+R	-	
					LFE+L+R+C+SL+SR	LFE+L+R+C+SL+SR	L+R+C	LFE+L+R+C+SL+SR	non Surr.mode	L+R	non Surr.mode	L+R	-	
					LFE+L+R+C+SL+SR	LFE+L+R+C+SL+SR	L+R+C	LFE+L+R+C+SL+SR	non Surr.mode	L+R	non Surr.mode	L+R	Surr.Back	
					LFE+L+R+C	LFE+L+R+C	non Surr.mode	LFE+L+R+C	non Surr.mode	L+R	non Surr.mode	L+R	Surr.,Surr.Back	
					LFE+L+R	LFE+L+R	L+R	LFE+L+R	non Surr.mode	L+R	non Surr.mode	L+R	Center	
					LFE+L+R+Sb	LFE+L+R	L+R	LFE+L+R	non Surr.mode	L+R	non Surr.mode	L+R	Center	
					LFE+L+R	LFE+L+R	L+R	LFE+L+R	non Surr.mode	L+R	non Surr.mode	L+R	Center	
					LFE+L+R+SL+SR	LFE+L+R+SL+SR	L+R	LFE+L+R+SL+SR	non Surr.mode	L+R	non Surr.mode	L+R	CNT,Surr,Back	
					LFE+L+R+SL+SR+Sb	LFE+L+R+SL+SR	L+R	LFE+L+R+SL+SR	non Surr.mode	L+R	non Surr.mode	L+R	Center	
					LFE+L+R+SL+SR	LFE+L+R+SL+SR	L+R	LFE+L+R+SL+SR	non Surr.mode	L+R	non Surr.mode	L+R	Center	
None	Large	Large	None	None	LFE+L+R	LFE+L+R	non Surr.mode	LFE+L+R	non Surr.mode	L+R	non Surr.mode	L+R	CNT,Surr,Surr,Back	
					LFE+L+R+C	LFE+L+R+C	L+R+C	LFE+L+R+C	non Surr.mode	L+R	non Surr.mode	L+R	SubW,*	
					LFE+L+R+C+Sb	LFE+L+R+C	L+R+C	LFE+L+R+C	non Surr.mode	L+R	non Surr.mode	L+R	SubW,*	
					LFE+L+R+C+SL+SR	LFE+L+R+C+SL+SR	L+R+C	LFE+L+R+C+SL+SR	non Surr.mode	L+R	non Surr.mode	L+R	SubW,*	
					LFE+L+R+C+SL+SR+Sb	LFE+L+R+C+SL+SR	L+R+C	LFE+L+R+C+SL+SR	non Surr.mode	L+R	non Surr.mode	L+R	SubW,Surr,*	
					LFE+L+R+C+SL+SR	LFE+L+R+C+SL+SR	L+R+C	LFE+L+R+C+SL+SR	non Surr.mode	L+R	non Surr.mode	L+R	-	
					LFE+L+R	LFE+L+R	L+R	LFE+L+R	non Surr.mode	L+R	non Surr.mode	L+R	-	
					LFE+L+R+Sb	LFE+L+R	L+R	LFE+L+R	non Surr.mode	L+R	non Surr.mode	L+R	-	
					LFE+L+R	LFE+L+R	L+R	LFE+L+R	non Surr.mode	L+R	non Surr.mode	L+R	-	
					LFE+L+R+SL+SR	LFE+L+R+SL+SR	L+R	LFE+L+R+SL+SR	non Surr.mode	L+R	non Surr.mode	L+R	-	
None	Large	Large	None	None	LFE+L+R	LFE+L+R	non Surr.mode	LFE+L+R	non Surr.mode	L+R	non Surr.mode	L+R	CNT,Surr,Surr,Back	
					LFE+L+R+C	LFE+L+R+C	L+R+C	LFE+L+R+C	non Surr.mode	L+R	non Surr.mode	L+R	SubW,*	
					LFE+L+R+C+Sb	LFE+L+R+C	L+R+C	LFE+L+R+C	non Surr.mode	L+R	non Surr.mode	L+R	SubW,*	
					LFE+L+R+C+SL+SR	LFE+L+R+C+SL+SR	L+R+C	LFE+L+R+C+SL+SR	non Surr.mode	L+R	non Surr.mode	L+R	SubW,*	
					LFE+L+R+C+SL+SR+Sb	LFE+L+R+C+SL+SR	L+R+C	LFE+L+R+C+SL+SR	non Surr.mode	L+R	non Surr.mode	L+R	SubW,Surr,*	
					LFE+L+R+C+SL+SR	LFE+L+R+C+SL+SR	L+R+C	LFE+L+R+C+SL+SR	non Surr.mode	L+R	non Surr.mode	L+R	-	
					LFE+L+R	LFE+L+R	L+R	LFE+L+R	non Surr.mode	L+R	non Surr.mode	L+R	-	
					LFE+L+R+Sb	LFE+L+R	L+R	LFE+L+R	non Surr.mode	L+R	non Surr.mode	L+R	-	
					LFE+L+R	LFE+L+R	L+R	LFE+L+R	non Surr.mode	L+R	non Surr.mode	L+R	-	
					LFE+L+R+SL+SR	LFE+L+R+SL+SR	L+R	LFE+L+R+SL+SR	non Surr.mode	L+R	non Surr.mode	L+R	-	

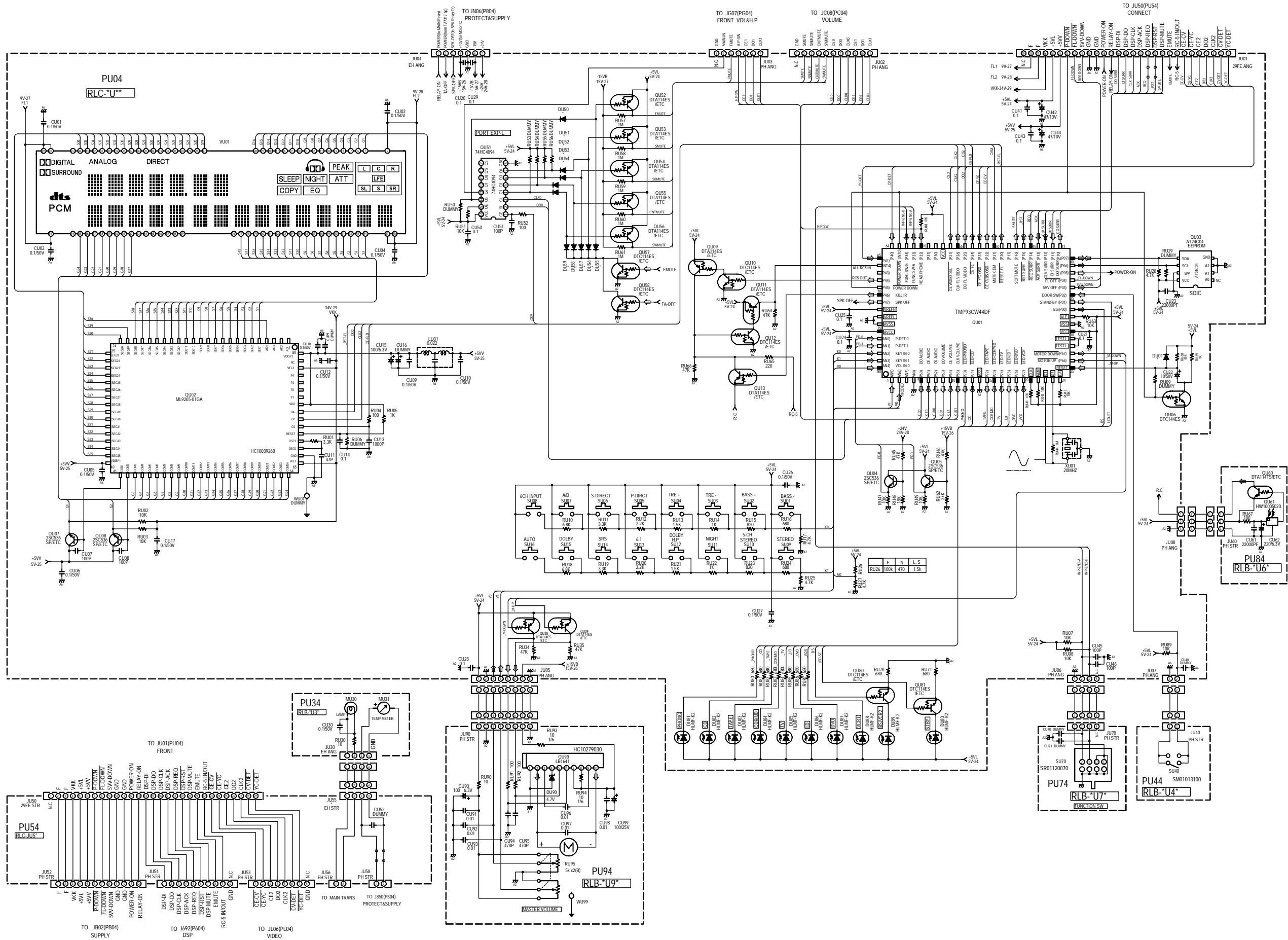
3. WIRING DIAGRAM

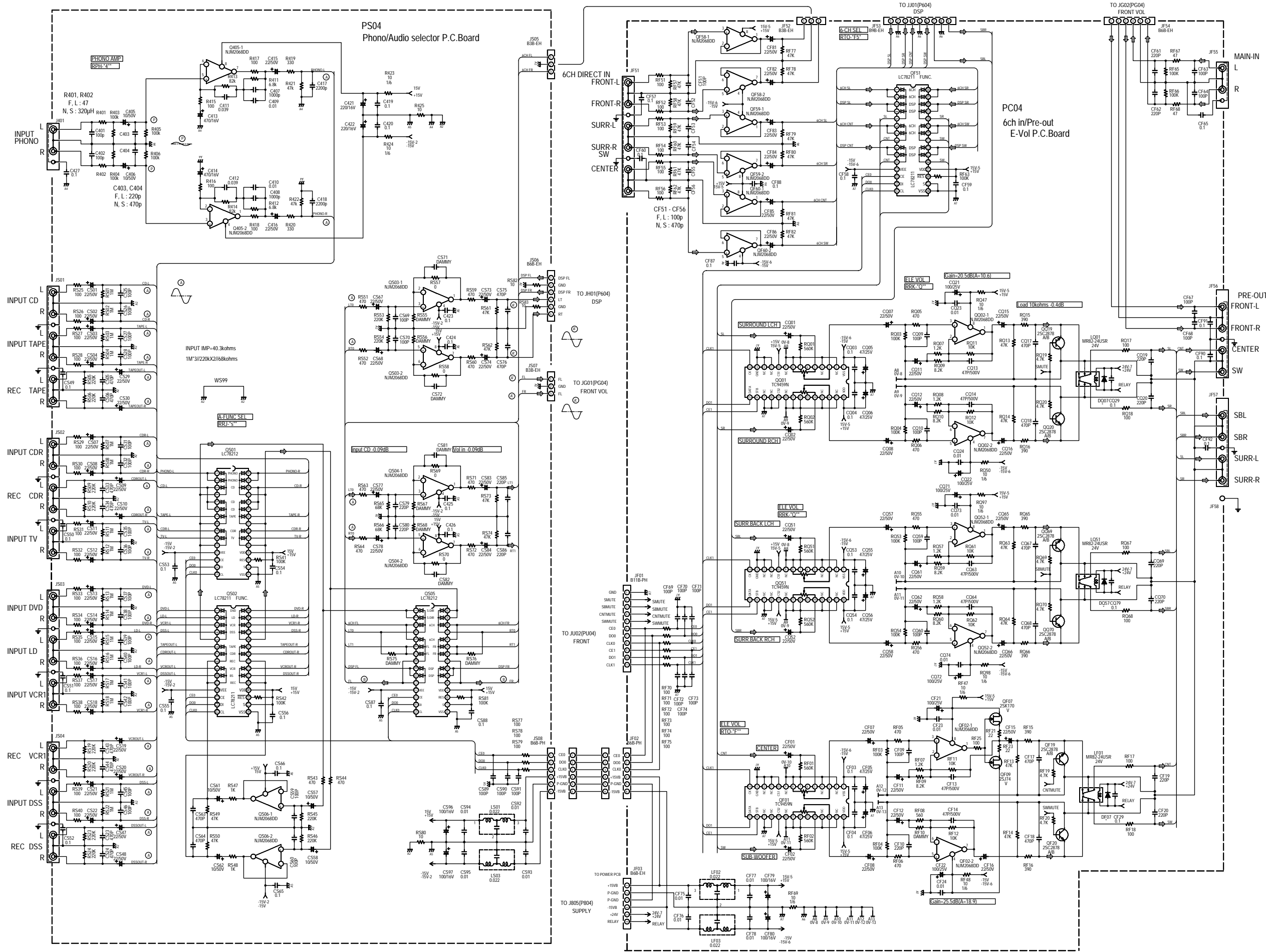


4. BLOCK DIAGRAM

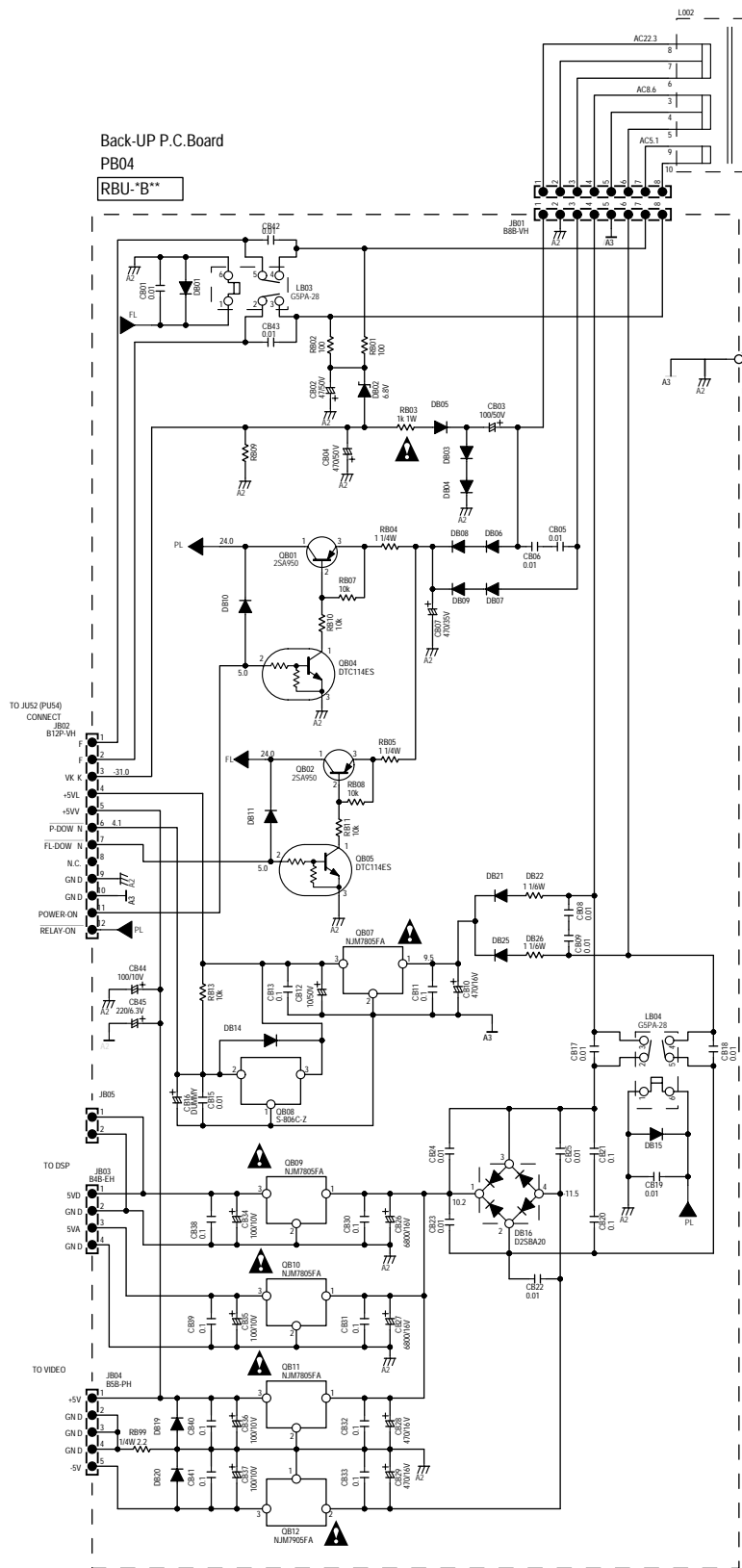


5. SCHEMATIC DIAGRAM

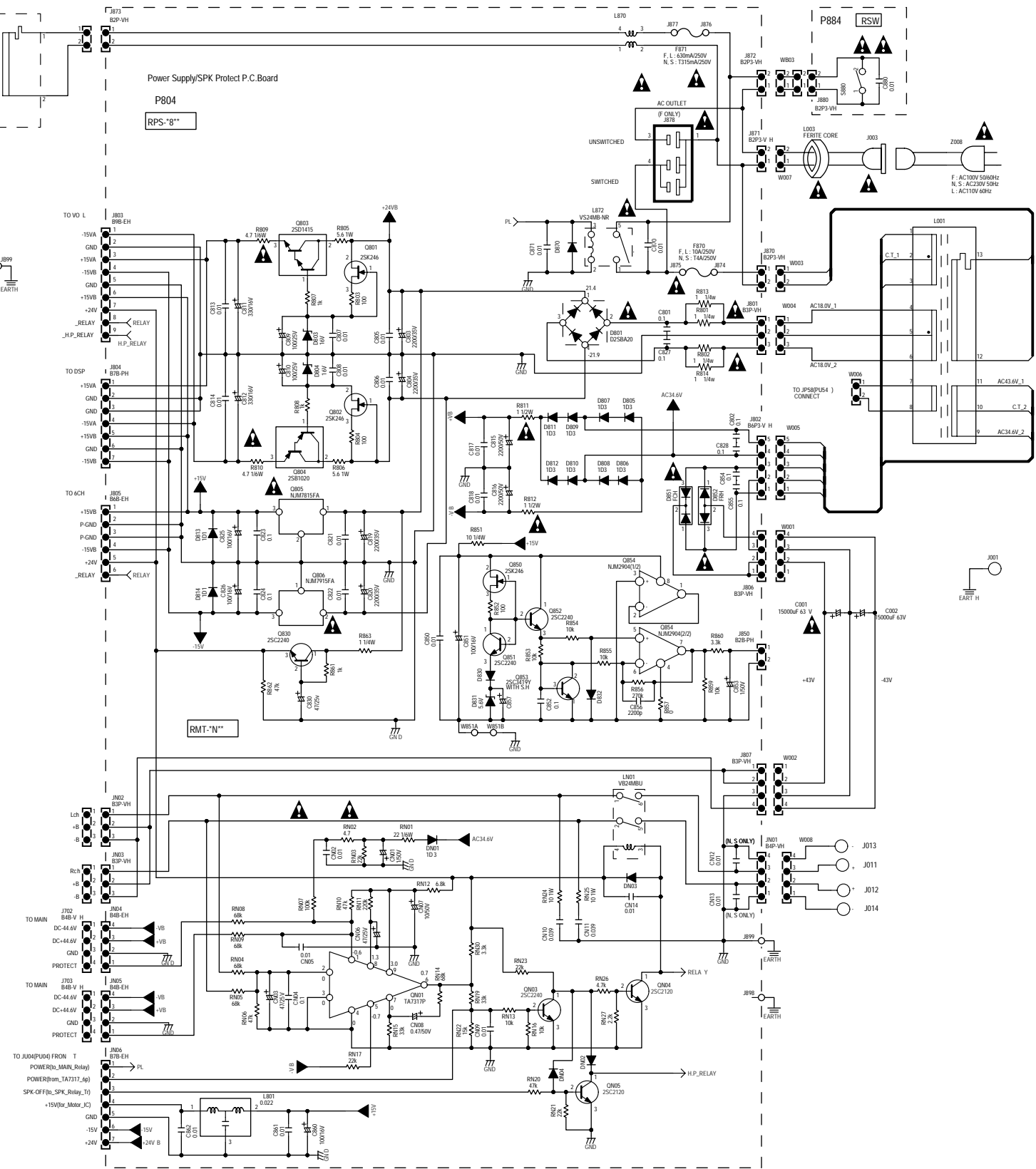


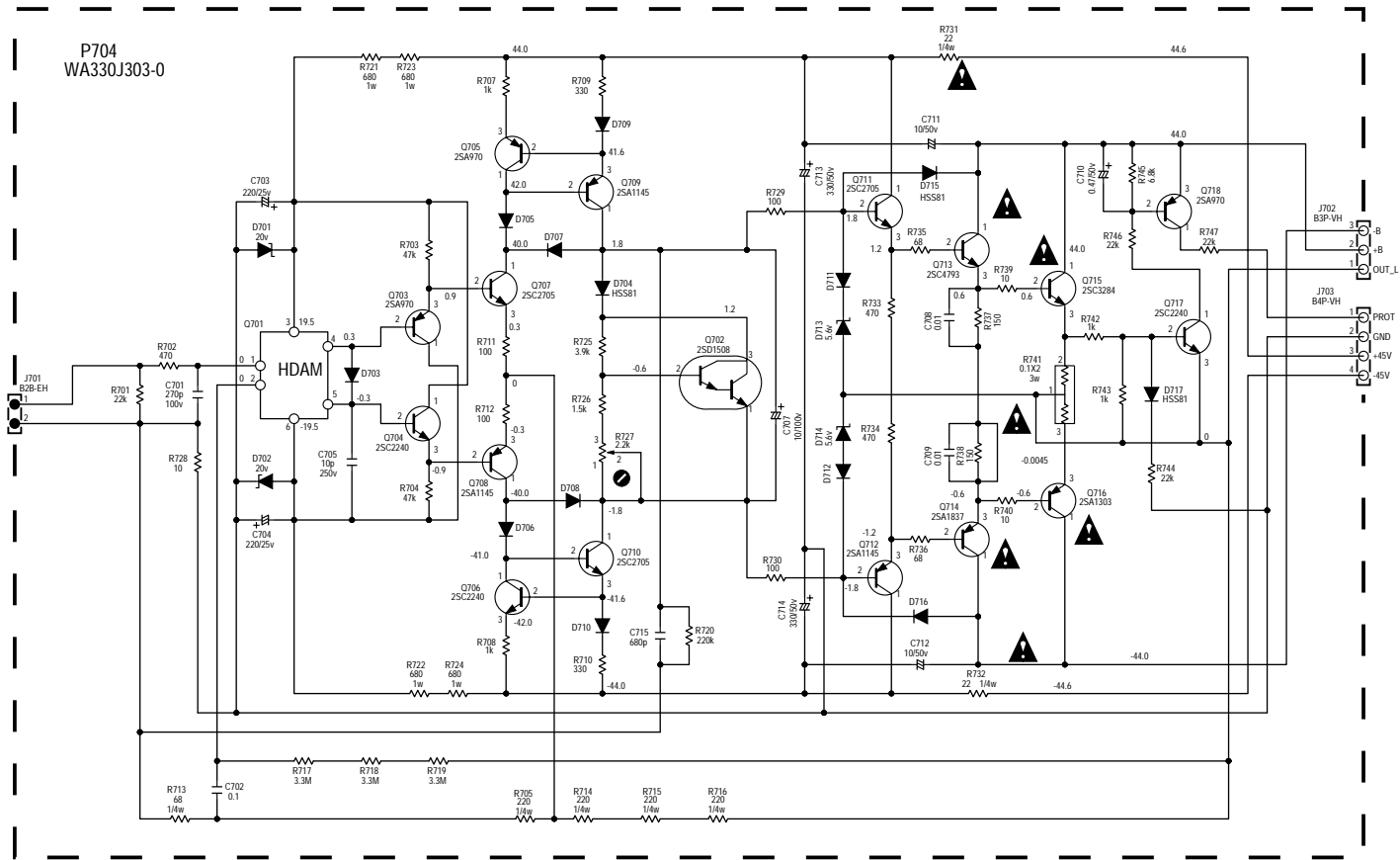


Back-UP P.C. Board
PB04
RBU-"B"



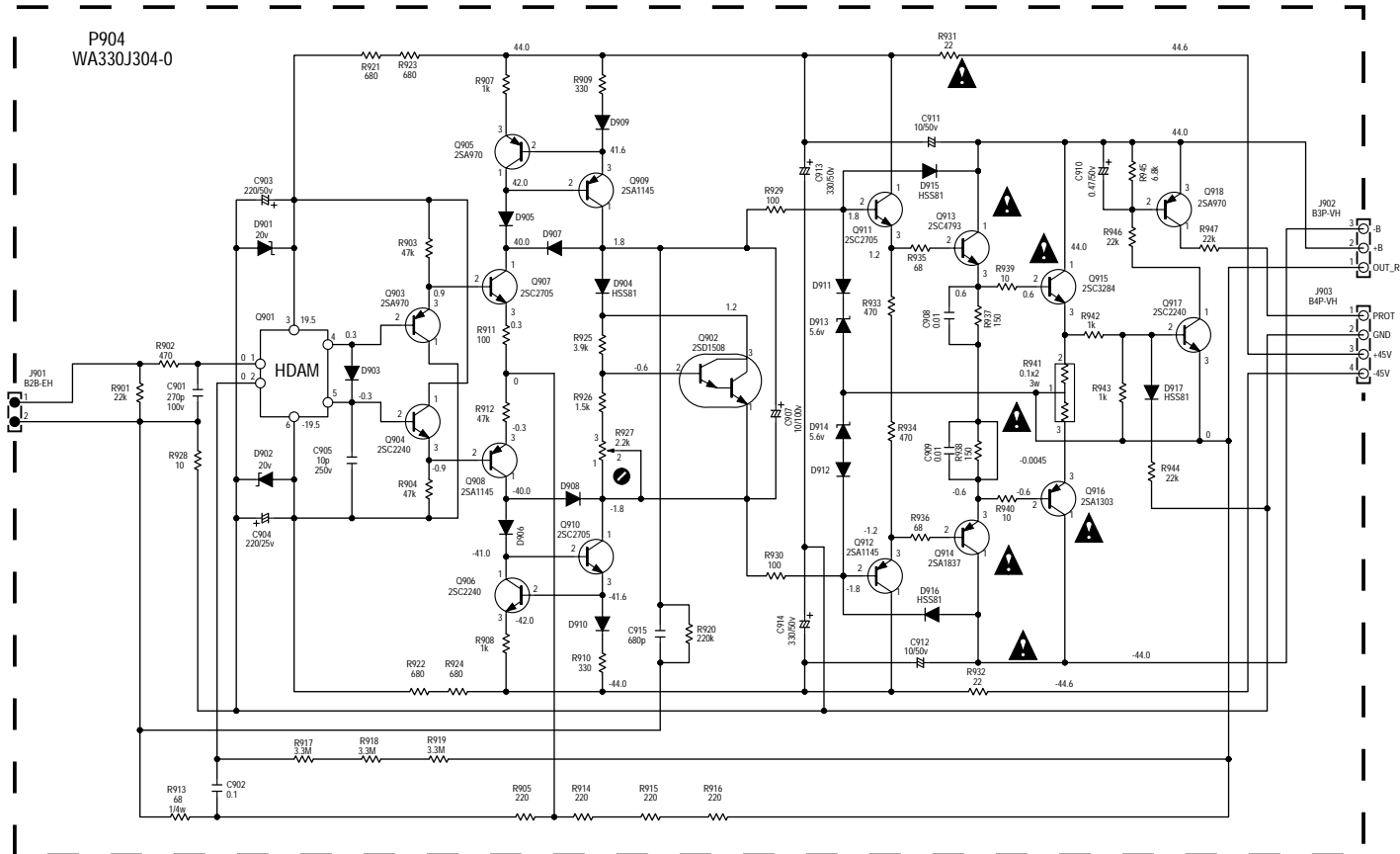
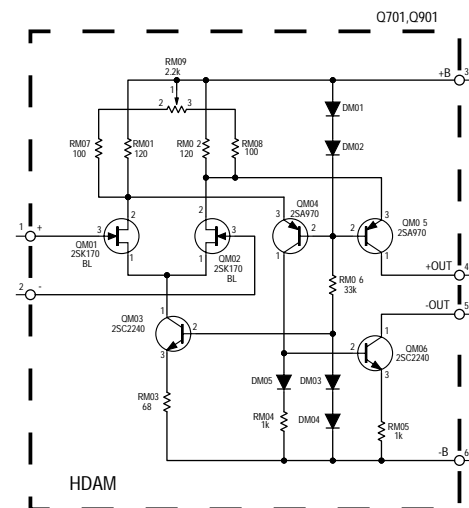
Power Supply/SPK Protect P.C. Board
P804
RPS-"8"





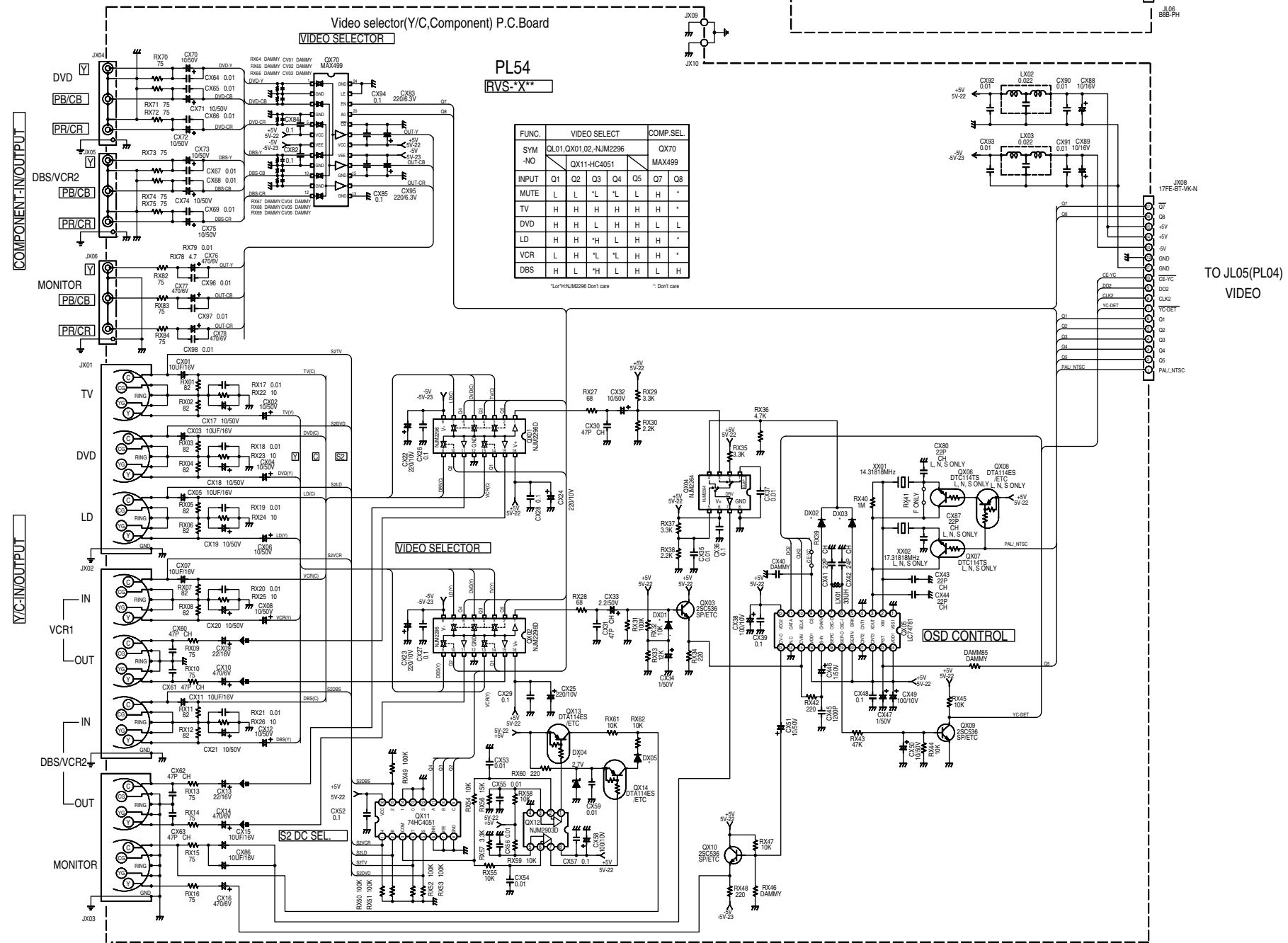
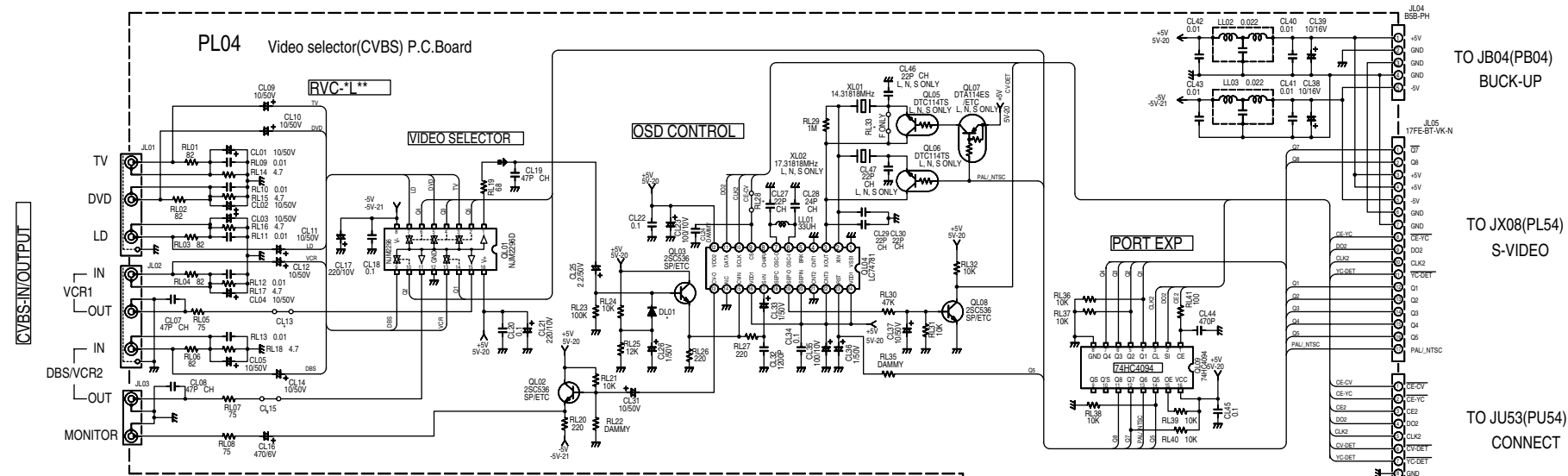
TO JN02 (P804)
SUPPLY

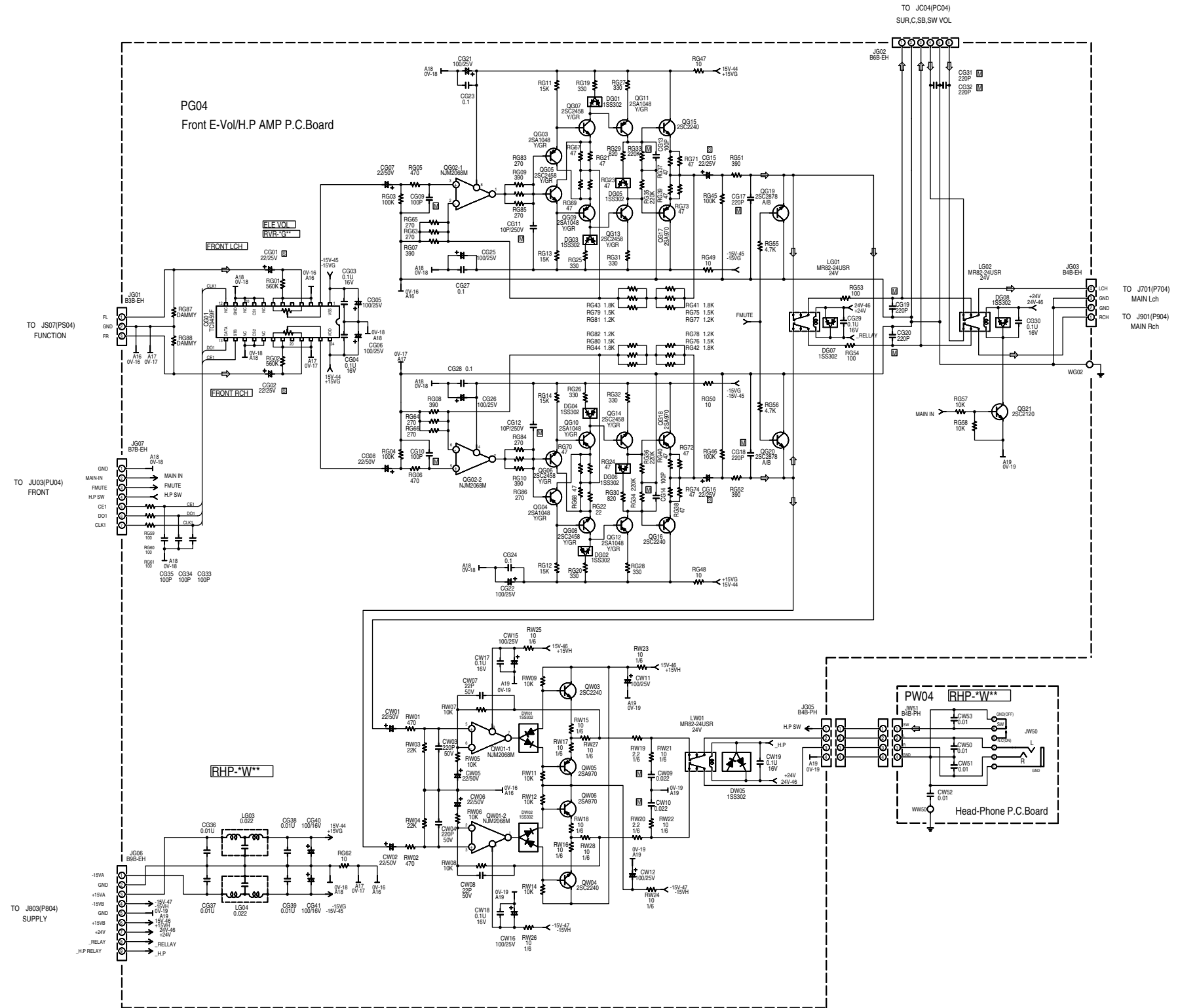
TO JN05 (P804)
SUPPLY

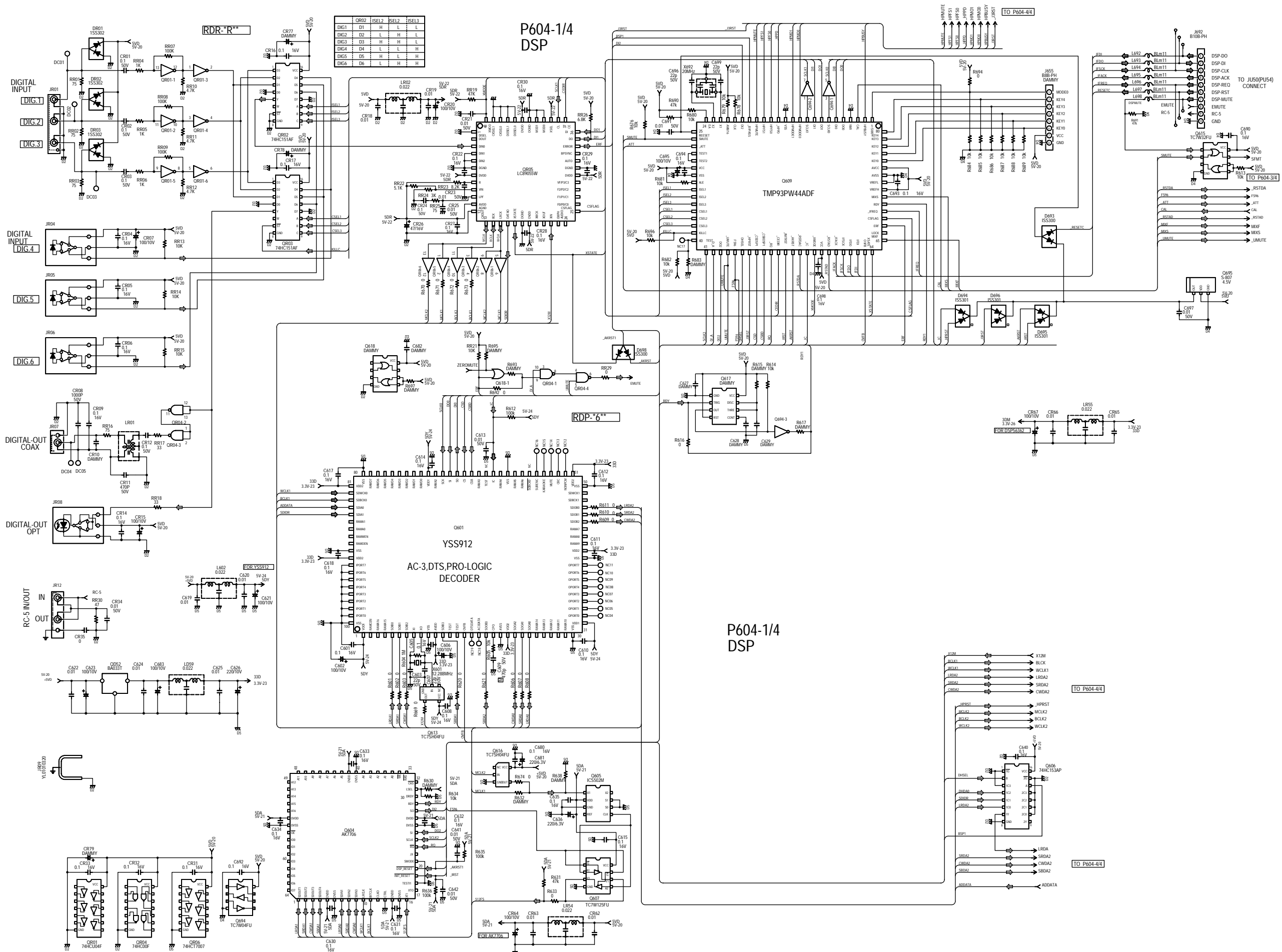


TO JN03 (P804)
SUPPLY

TO JN06 (P804)
SUPPLY





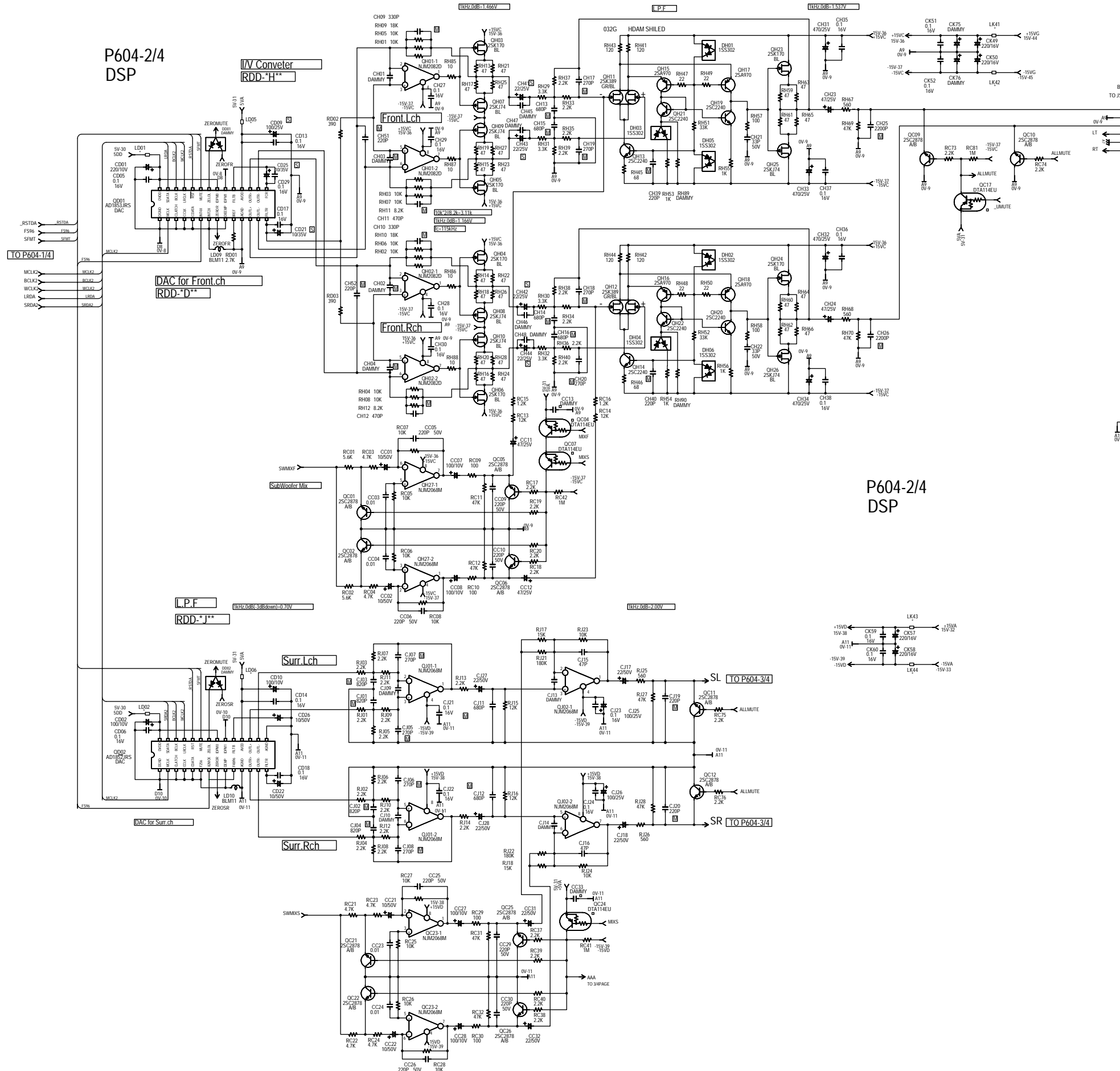


	OR02	ISEL2	SEL2	ISEL3
DI01	D1	H	L	L
DI02	D2	L	H	L
DI03	D3	H	H	L
DI04	D4	L	L	H
DI05	D5	H	L	H
DI06	D6	L	L	H

P604-1/4
DSP

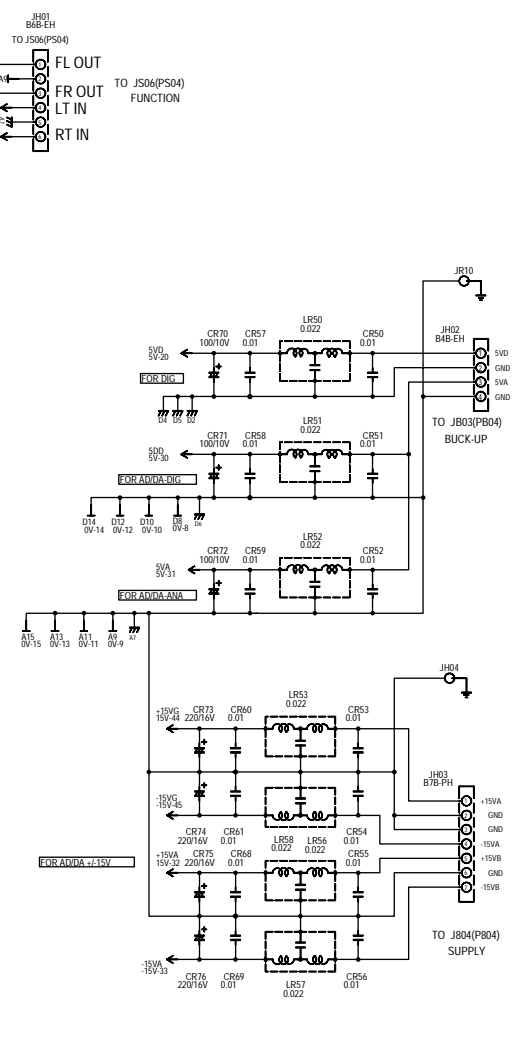
P604-1/4
DSP

P604-2/4 DSP

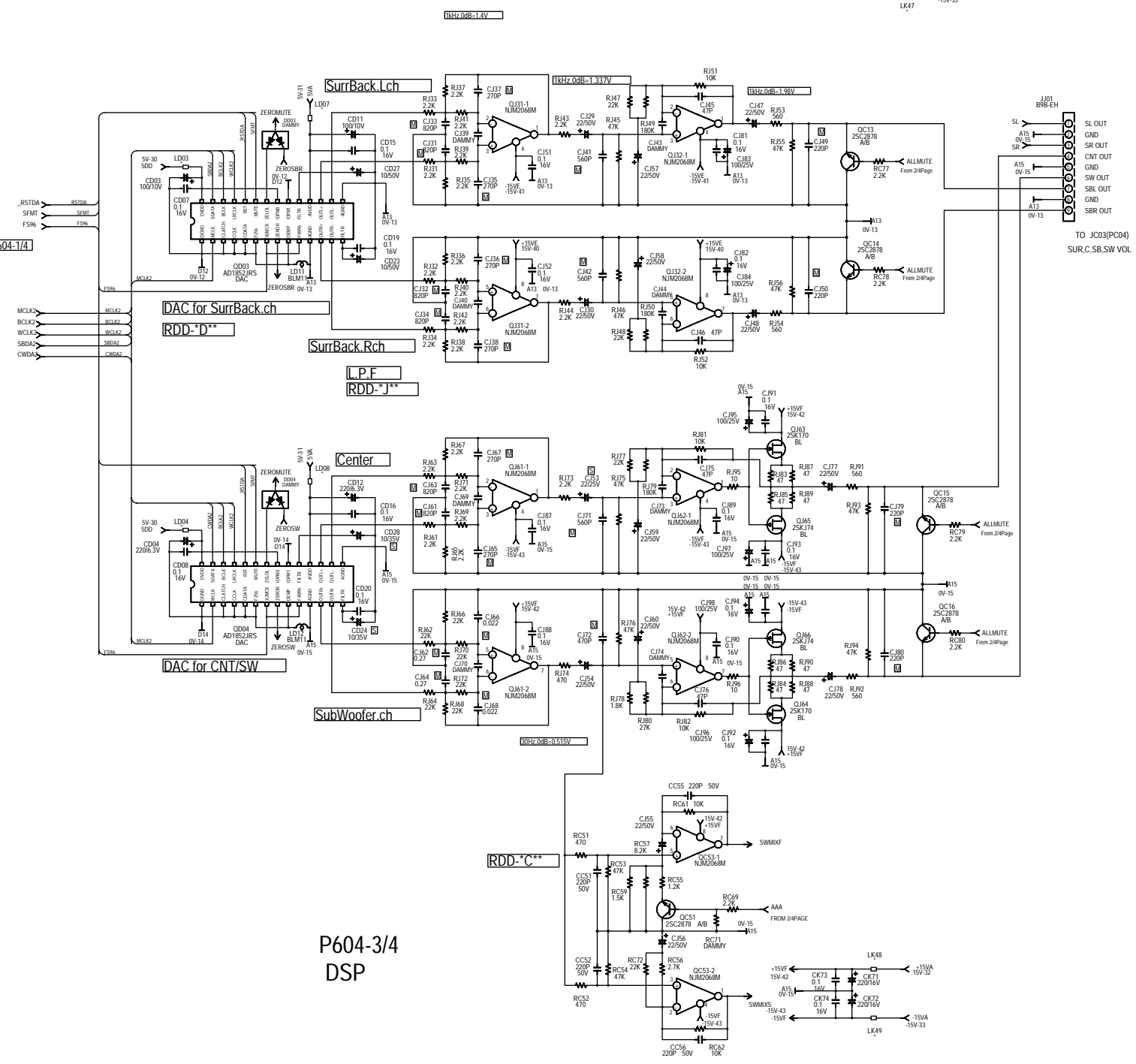
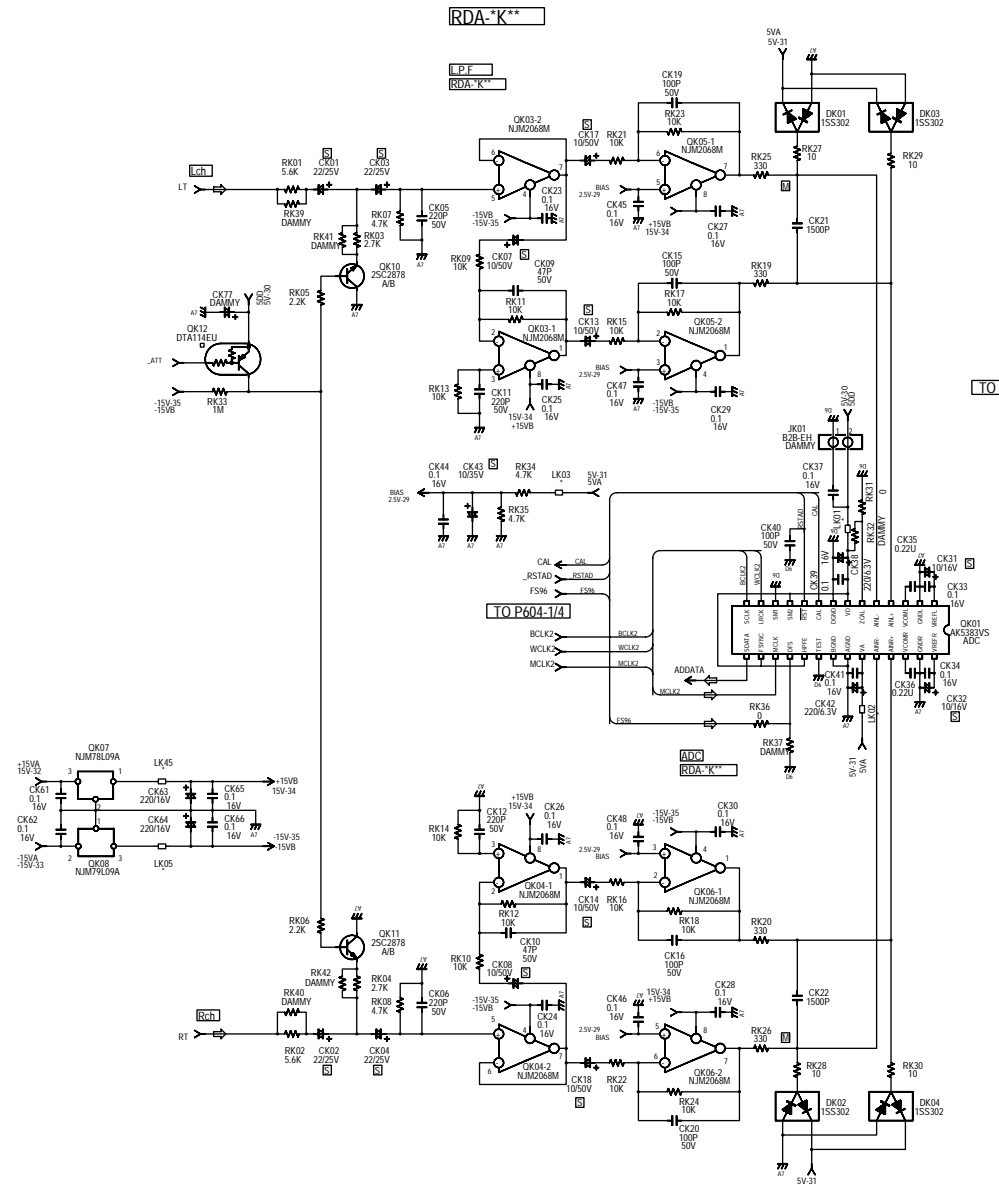


Gain=0.484668(0.5222)
THD=0.01333%
NoiseFLA1=4.850V
NoiseFLA2=4.850V
NoiseFLA3=2.161V
NoiseFLA4=2.2016V
NoiseFLA5=1.804V
THD=0.0005%

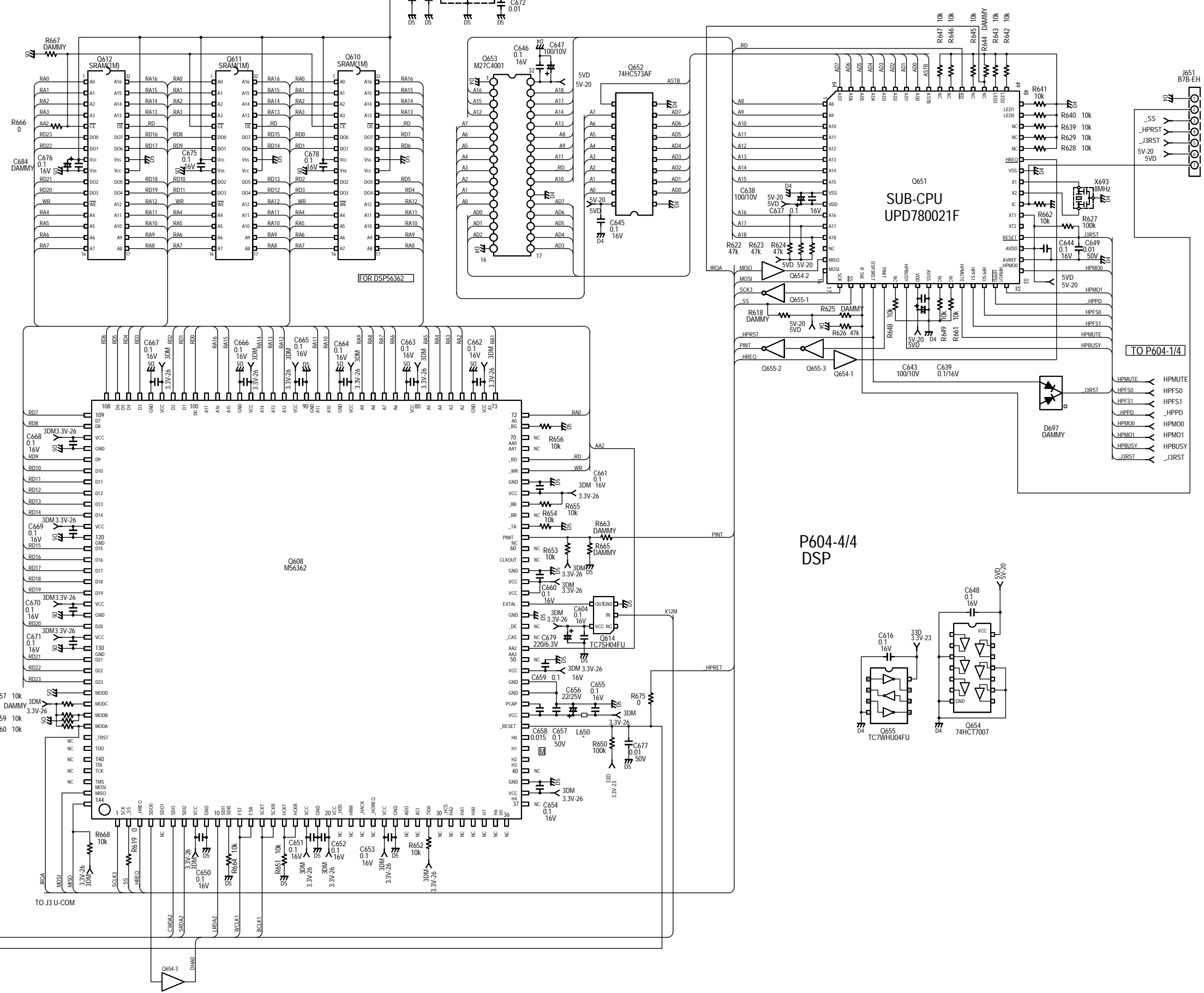
P604-2/4 DSP



P604-3/4
DSP



P604-4/4
DSP

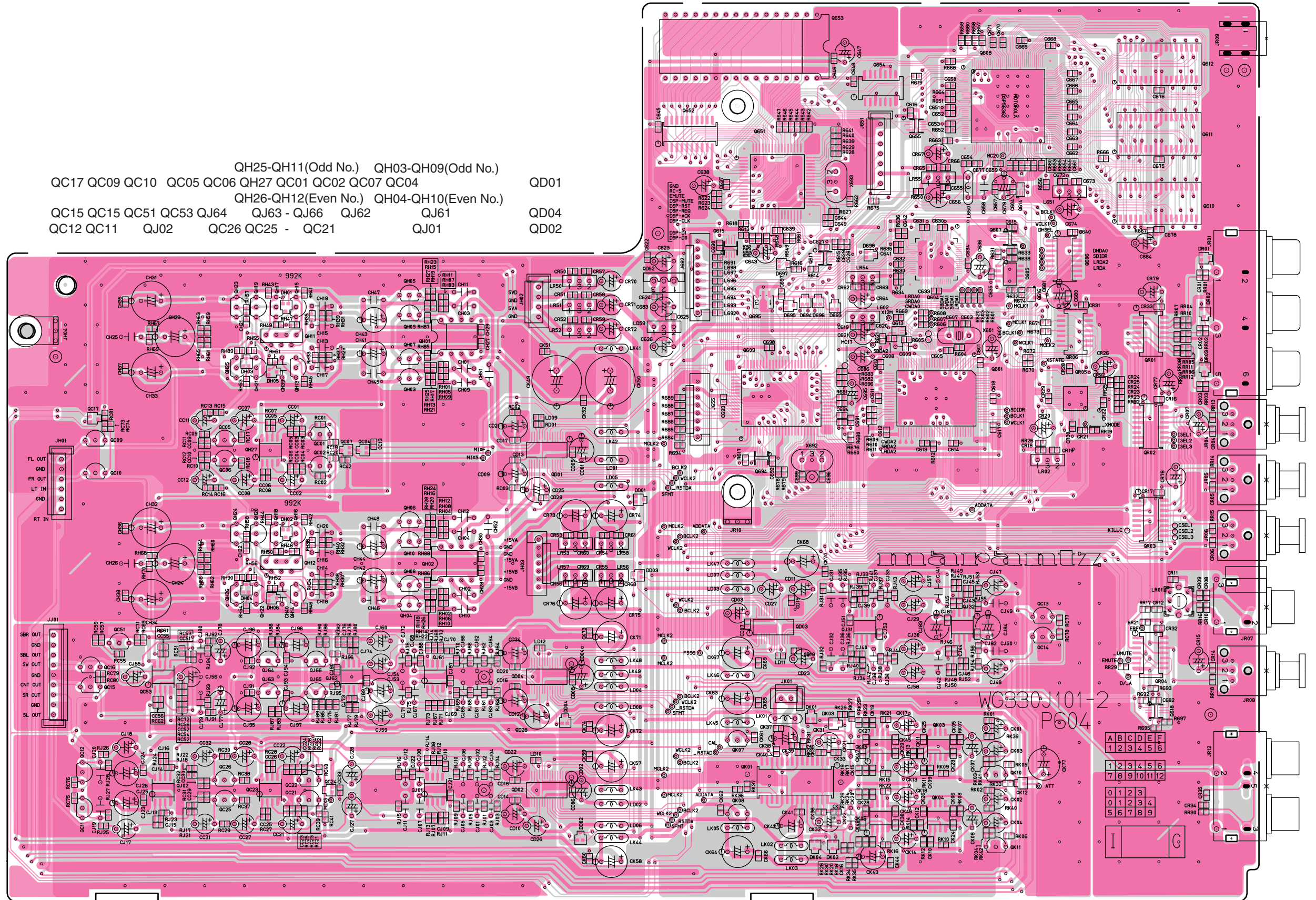


6. PARTS LOCATION

P604

Q652 Q653 Q651 Q654 Q608 Q612 - Q610
 Q615 Q695 Q617 Q604 Q607 Q605 Q606
 Q609 Q694 Q613 Q601 QAR06 QR05 QR01-QR03
 QD03 QJ31 QJ32 QC13 QC14 QR04 Q618
 QK07 QK08 QK01 QK06 - QK03 QK10 - QK12

QH25-QH11(Odd No.) QH03-QH09(Odd No.)
 QC17 QC09 QC10 QC05 QC06 QH27 QC01 QC02 QC07 QC04 QD01
 QH26-QH12(Even No.) QH04-QH10(Even No.)
 QC15 QC15 QC51 QC53 QJ64 QJ63 - QJ66 QJ62 QJ61 QD04
 QC12 QC11 QJ02 QC26 QC25 - QC21 QJ01 QD02



PG04

QG01

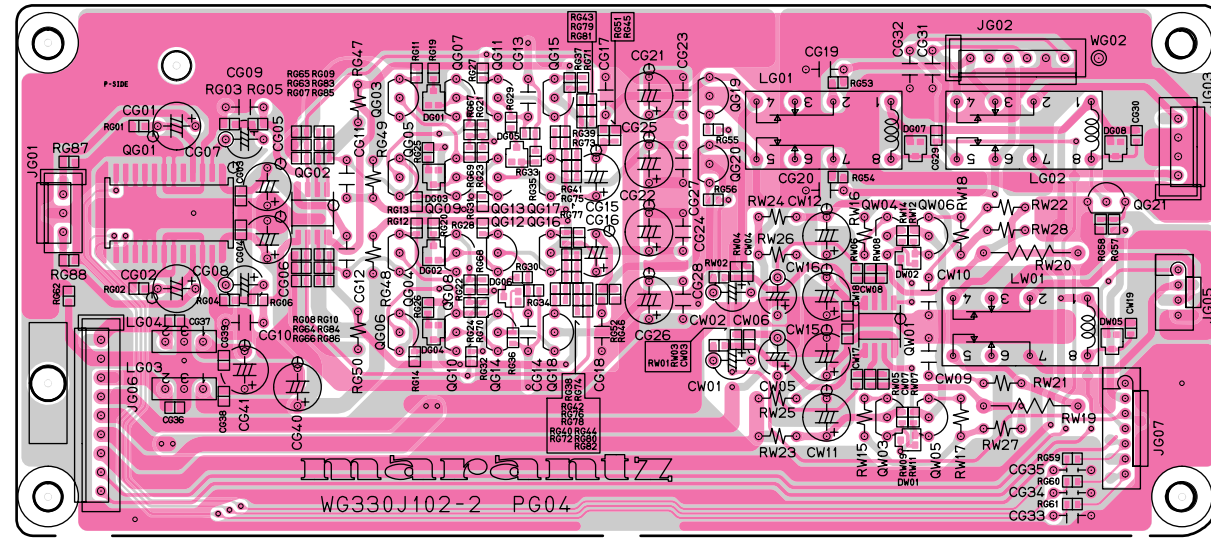
QG02

QG03 - QG18

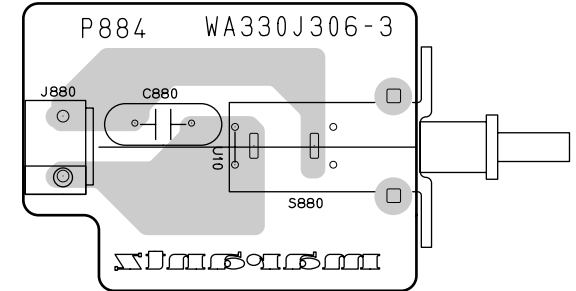
QG19 QG20

QG21

QW01 QW03-QW06



P884



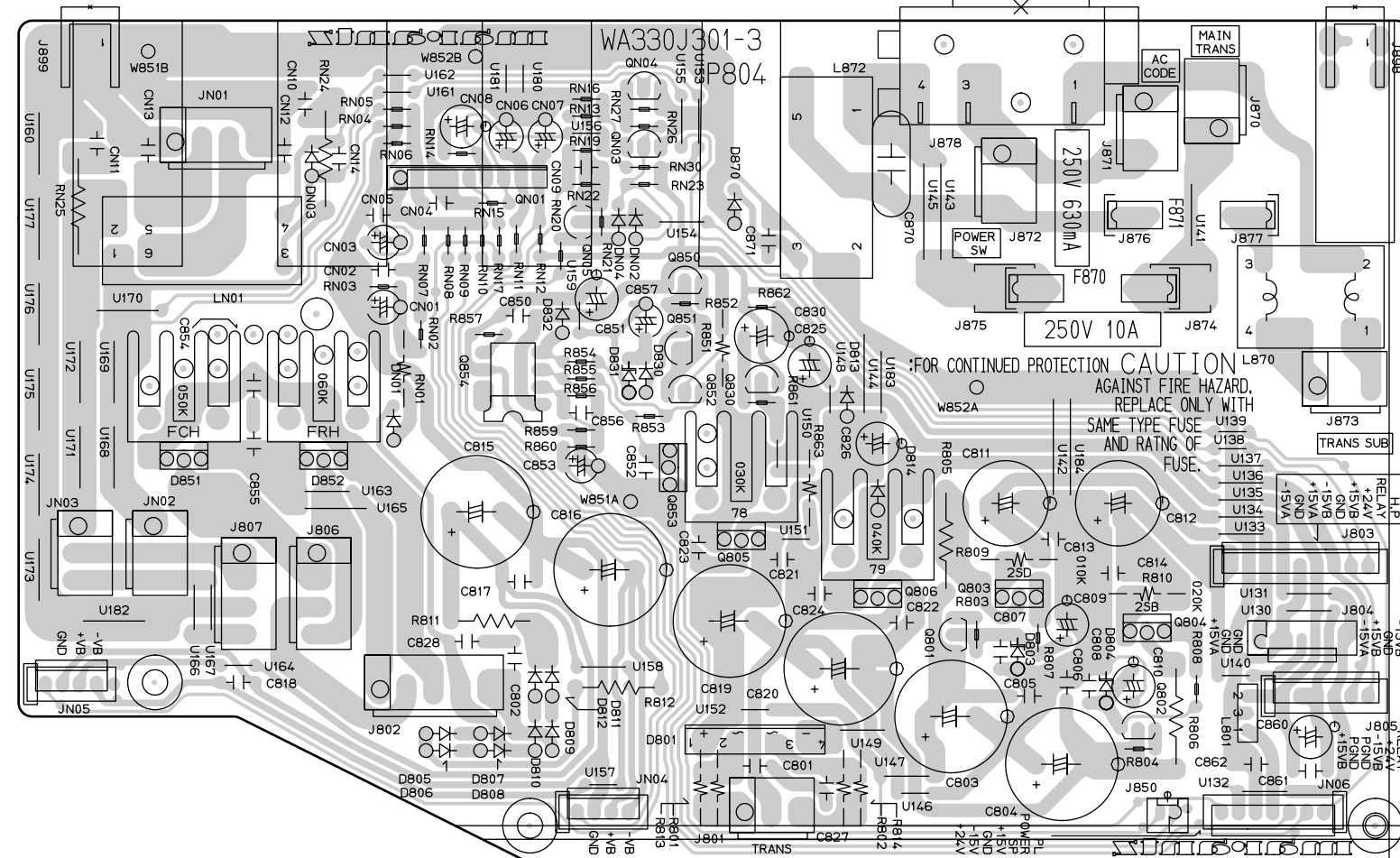
P804

QN01 Q854 QN05 - QN03 Q850-Q852 Q830

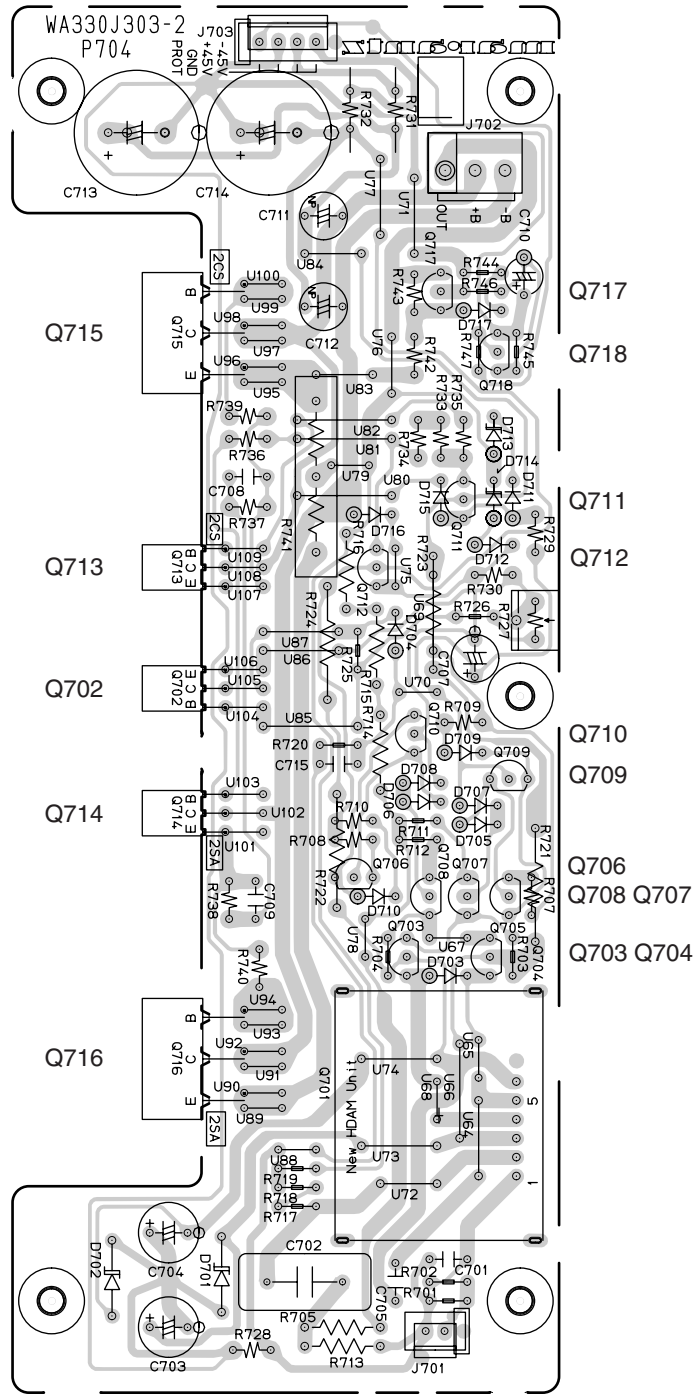
Q853 Q805

Q806 Q801 Q803

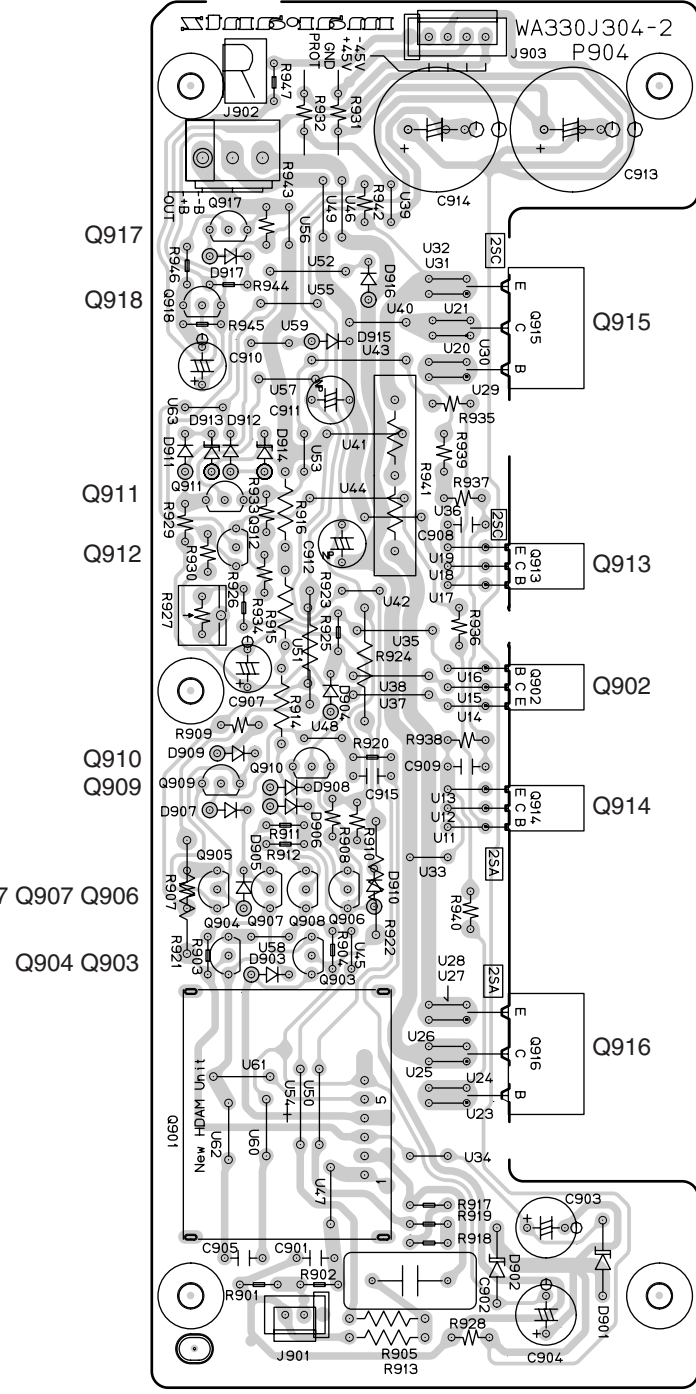
Q804 Q802



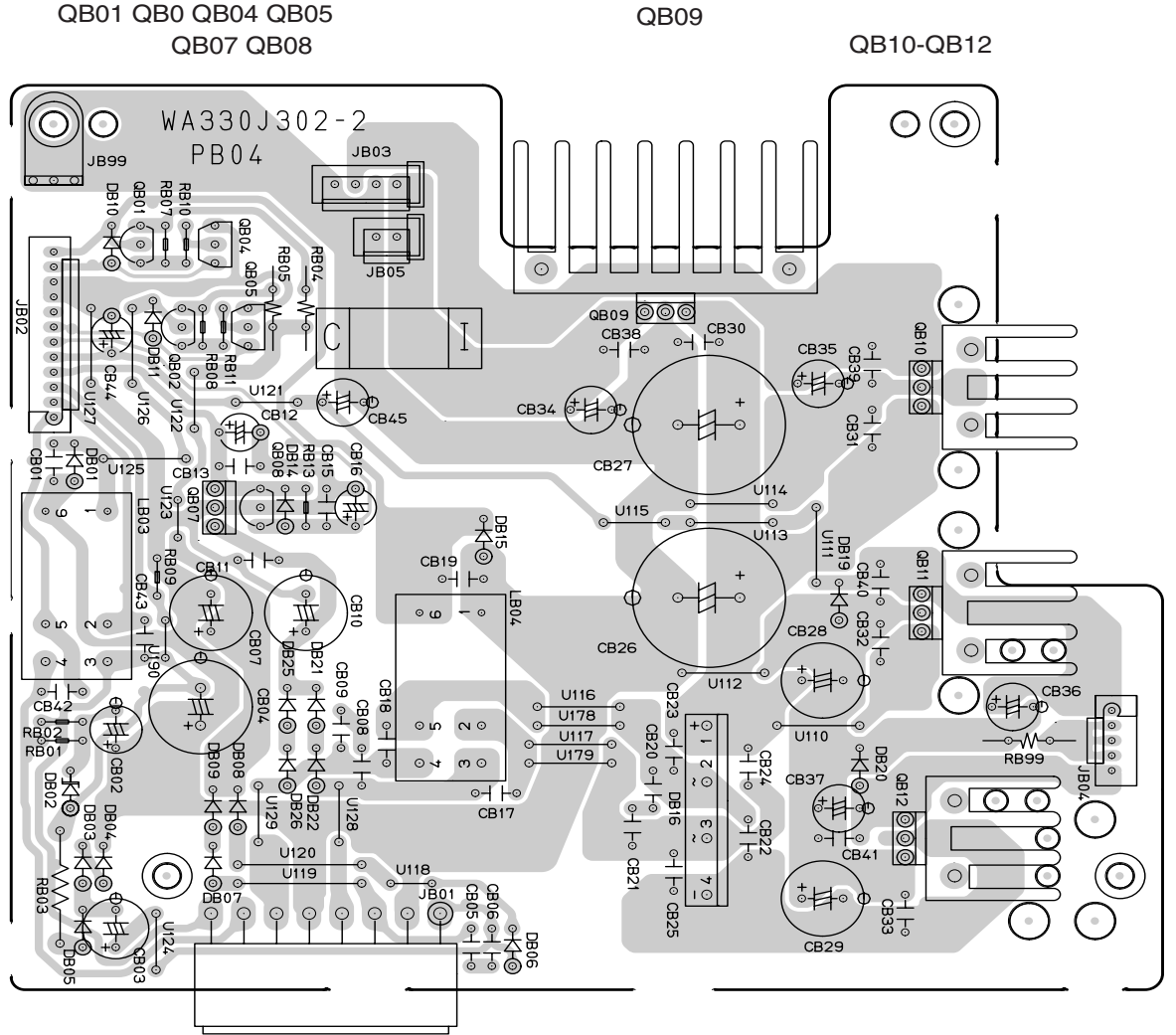
P704

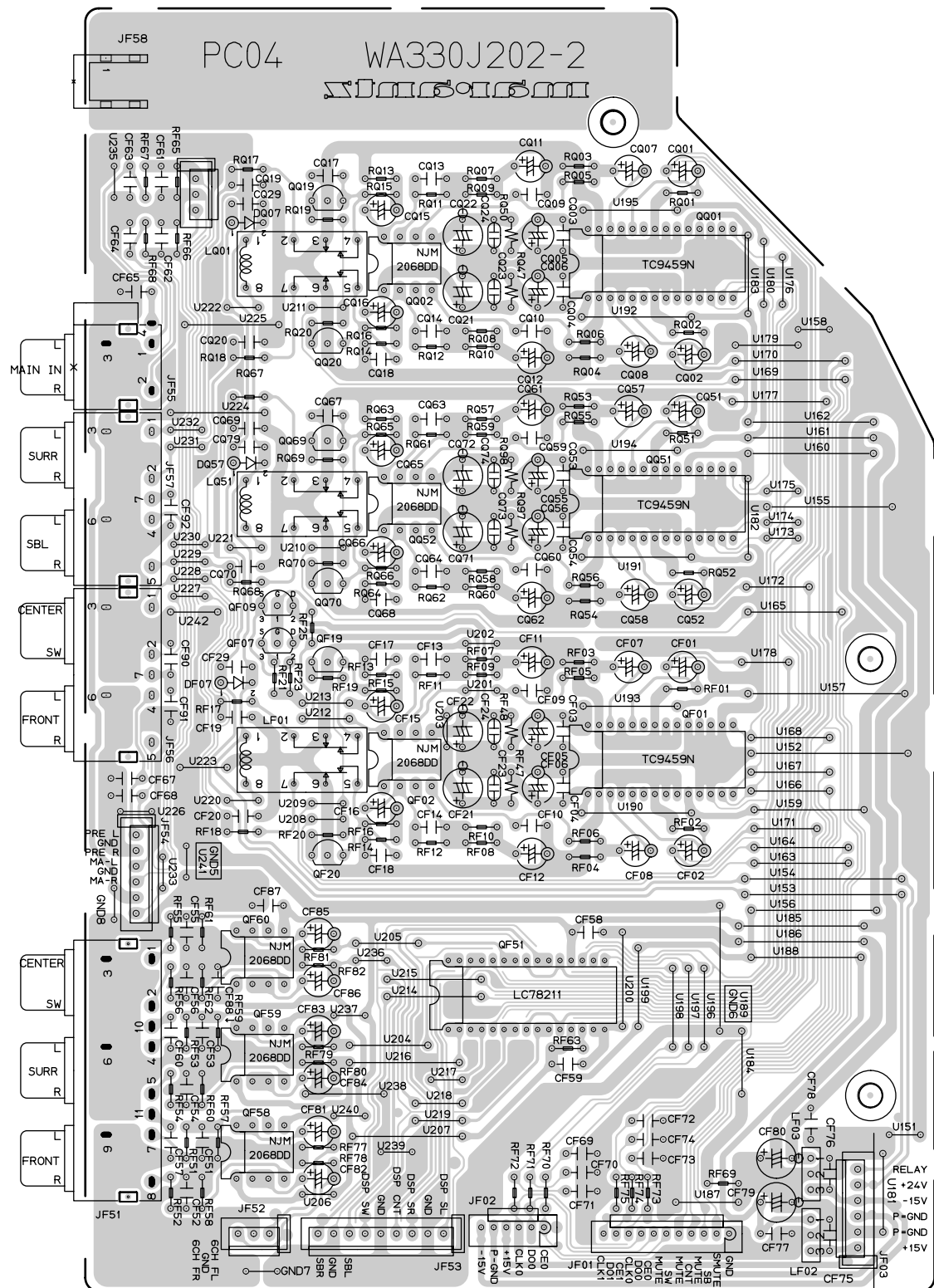


P904

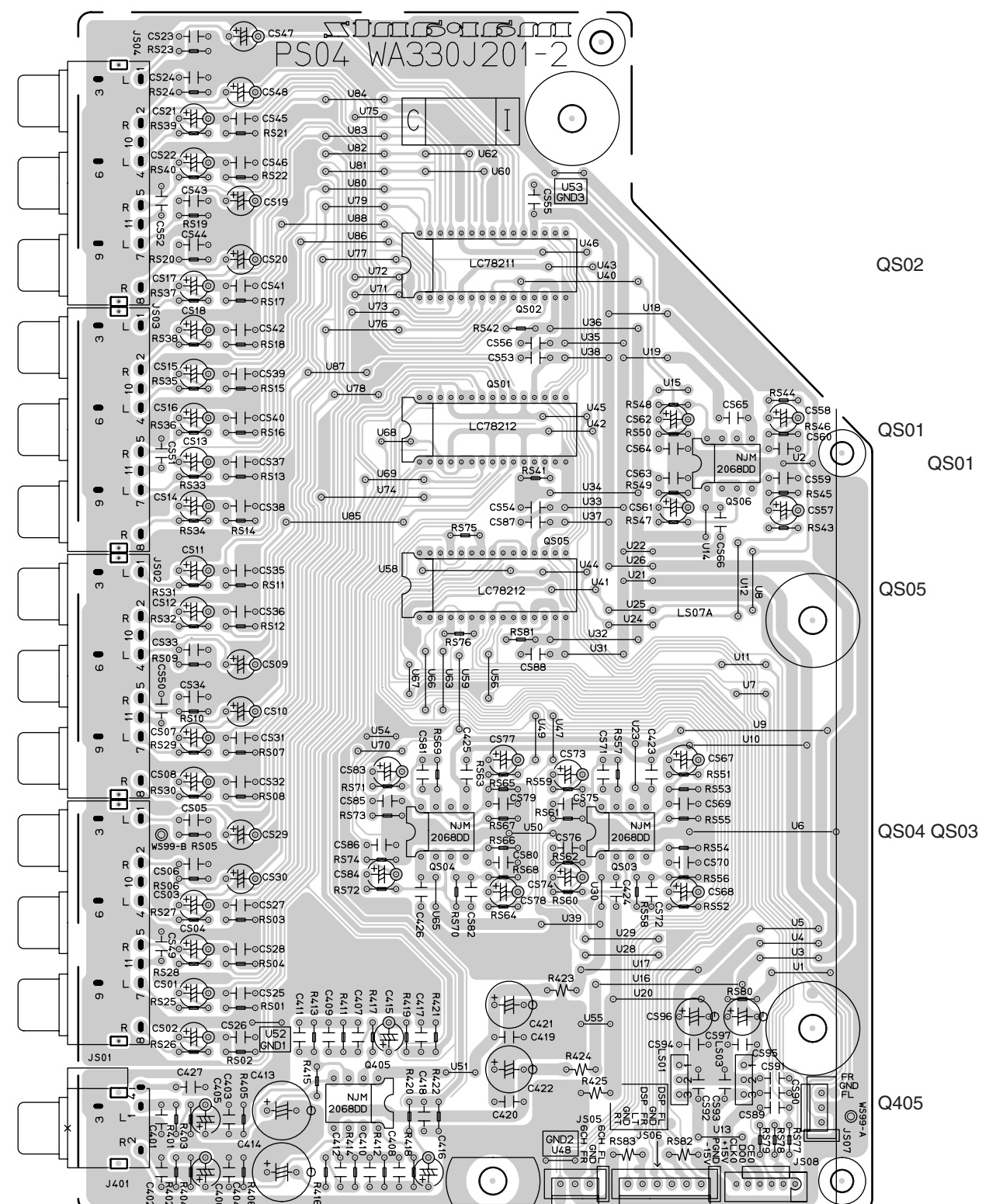


PB04



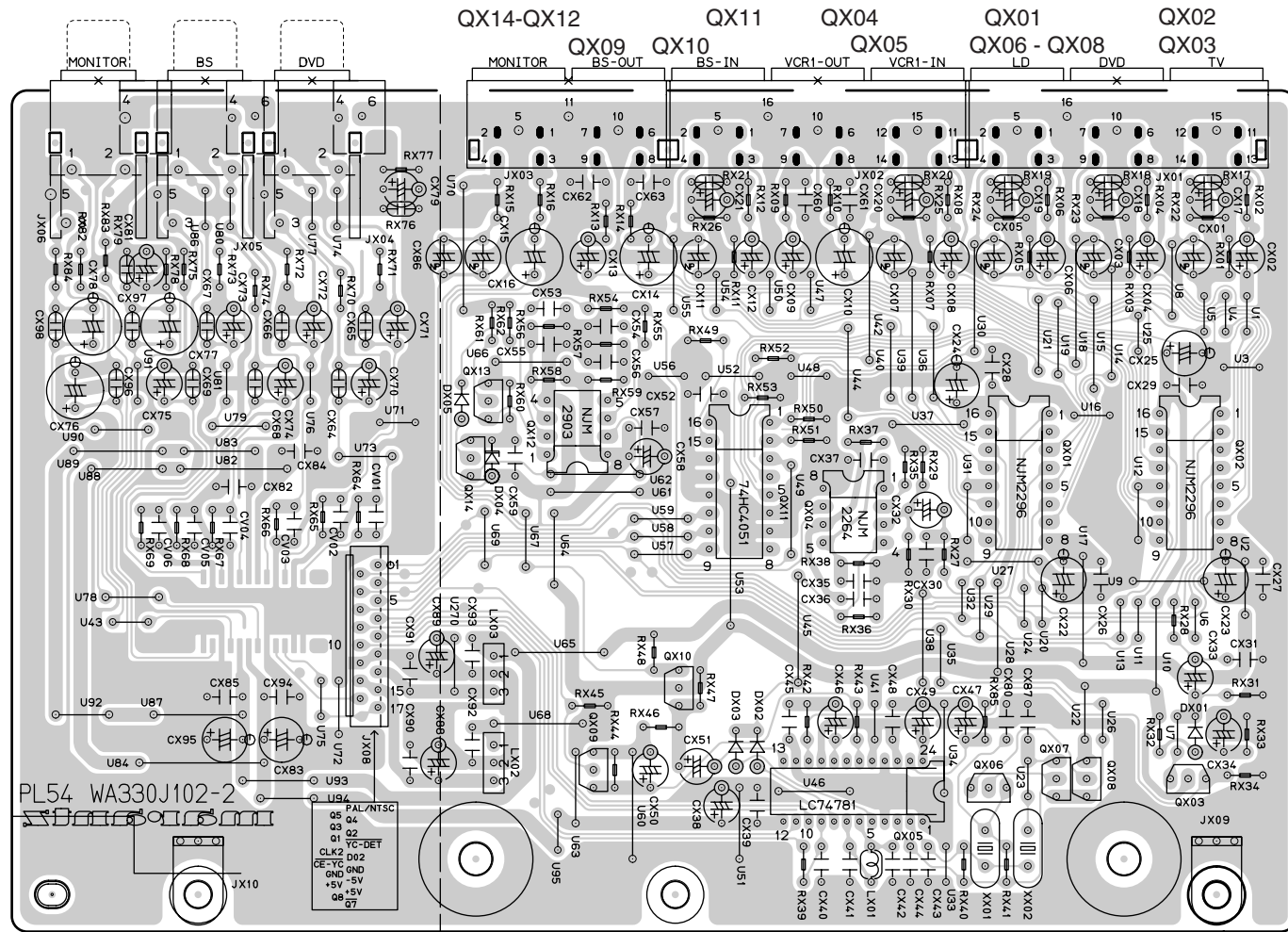


- QQ19
- QQ22 QQ01
- QQ20
- QQ69
- QQ52 QQ51
- QQ70
- QF09
- QQ19
- QQ19
- QF02 QF01
- QF20
- QF60
- QF51
- QF59
- QF58

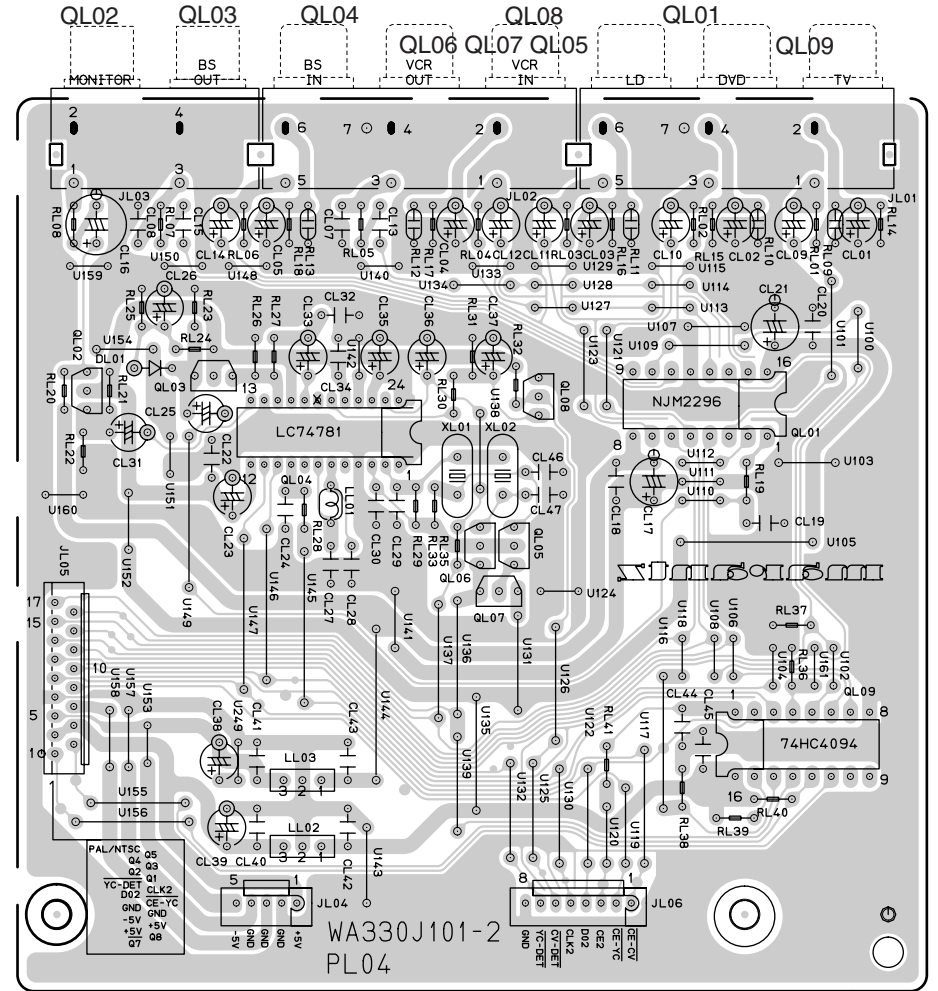


- QS02
- QS01
- QS01
- QS05
- QS04 QS03
- Q405

PL54



PL04



PU04

QU52 - QU58
QU39 QU38 QU07 QU08

QU51

QU01

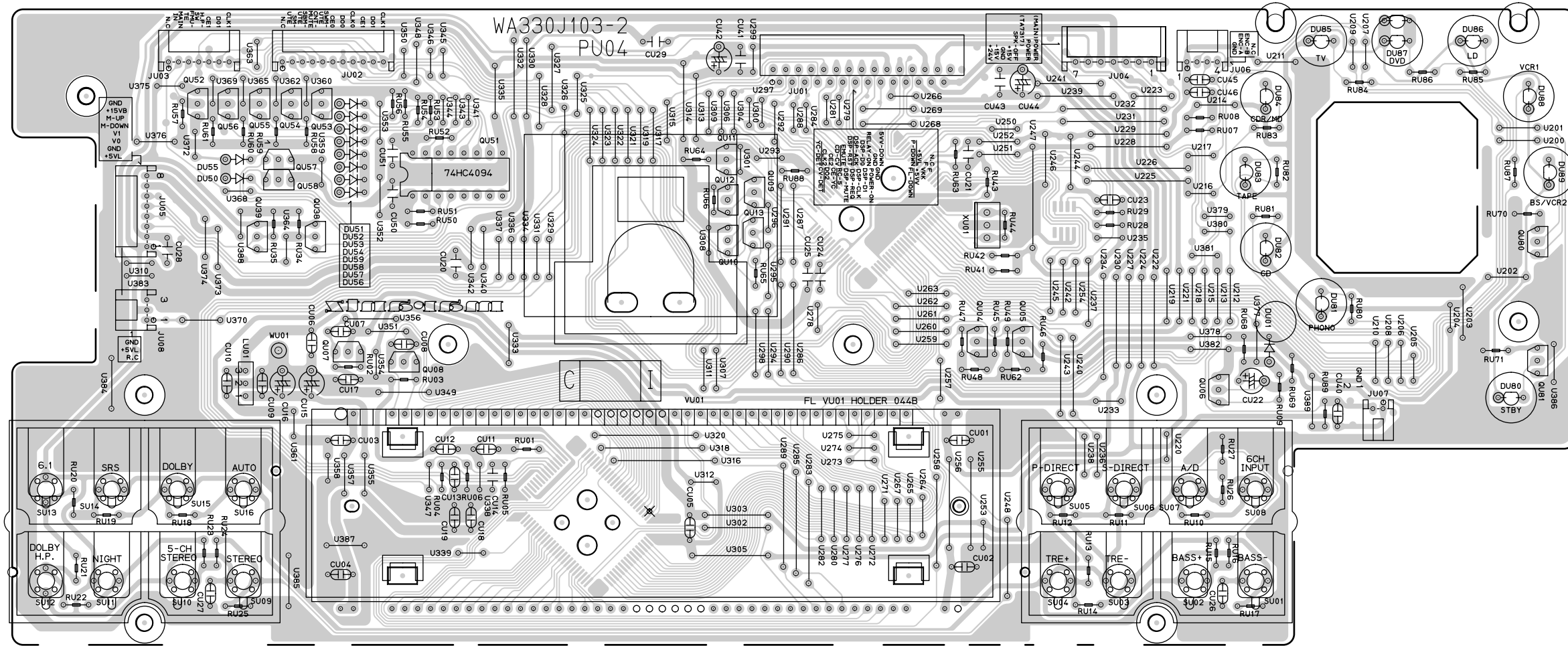
QU09-QU13

QU51

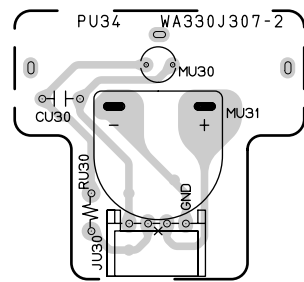
QU04 QU05

QU06

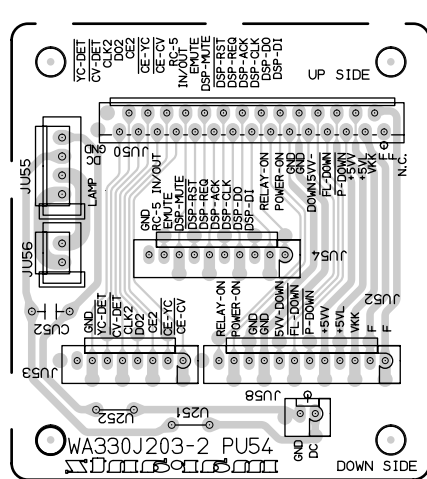
QU81



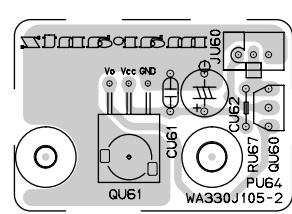
PU34



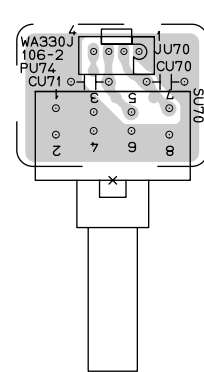
PU54



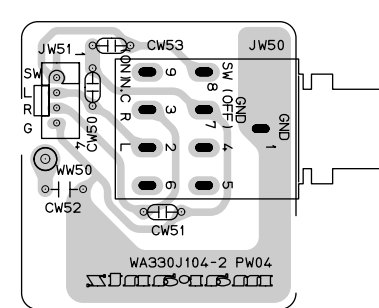
PU64



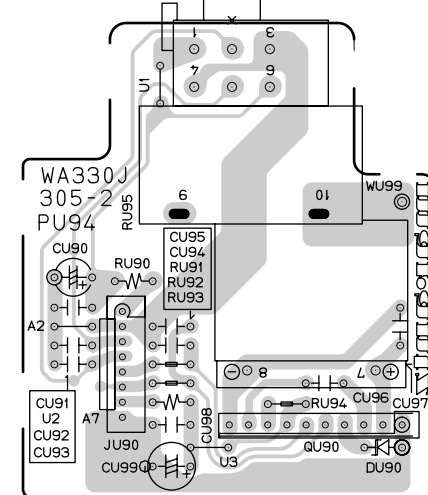
PU74



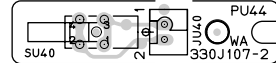
PW04



PU94



PU44

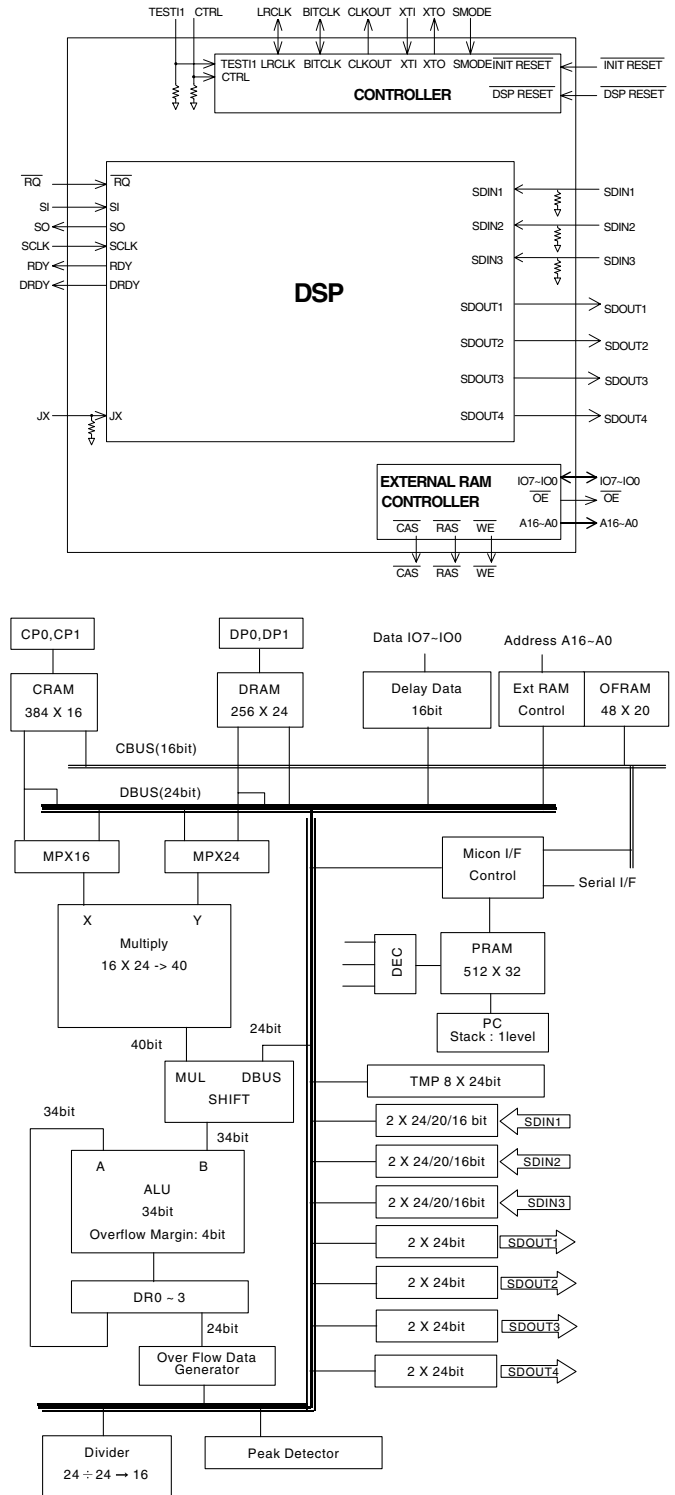


Q651 : μ PD78F0034GC

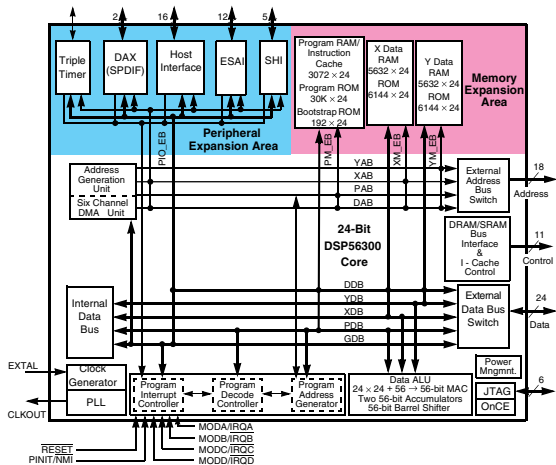
Q651(μ PD78F0034GC)

Pin	Port Name	I/O	Use	Name	Port Setting				Note
					Opt.	Act.	P-Off	Stop	
1	P50/A8	I/O	O	A8					Address Bus
2	P51/A9	I/O	O	A9					Address Bus
3	P52/A10	I/O	O	A10					Address Bus
4	P53/A11	I/O	O	A11					Address Bus
5	P54/A12	I/O	O	A12					Address Bus
6	P55/A13	I/O	O	A13					Address Bus
7	P56/A14	I/O	O	A14					Address Bus
8	P57/A15	I/O	O	A15					Address Bus
9	Vss0	-	Vss0	GND					GND
10	Vdd0	-	Vdd0	+5VD					Power Supply
11	P30	I/O	O	A16					Address Bus
12	P31	I/O	O	A17					Address Bus
13	P32	I/O	O	A18					Address Bus
14	P33	I/O	I	RESERVE					Pulled Down
15	P34/SI31	I/O	I	SI31_HPDPSP					Serial Input
16	P35/SO31	I/O	O	SO31_HPDPSP					Serial Output
17	P36/SCK31	I/O	O	SCK31_HPDPSP					Serial Clock
18	P20/SI30	I/O	O	SS_HPDPSP					HPDPSP Select
19	P21/SO30	I/O	I	IF_SW					H= Switch, L=SUB2
20	P22/SCK30	I/O	O	HPDPSP_RST		L			HPDPSP Reset
21	P23/RxD0	I/O	O	PINIT					HPDPSP PINIT
22	P24/TxD0	I/O	I	RESERVE					Pulled Down
23	P25/ASCK0	I/O	O	HPBUSY			H		SUB2 Busy Status
24	Vdd1	-	Vdd1	+5VD					Power Supply
25	Avss	-	AVss						Vss0
26	P17/ANI7	I	I	RESERVE					Pulled Down
27	P16/ANI6	I	I	RESERVE					Pulled Down
28	P15/ANI5	I	I	HPMUTE			H		HPDPSP Mute
29	P14/ANI4	I	I	HPFS1					HPDPSP FS
30	P13/ANI3	I	I	HPFS0					HPDPSP FS
31	P12/ANI2	I	I	_HPPD					SUB2 System Down
32	P11/ANI1	I	I	HPMODE1					DH
33	P10/ANI0	I	I	HPMODE0					DH
34	Avref	-							Vss0
35	Avdd	-	Vdd0						Vdd0
36	RESET	I	I	RESETHP		L			SUB2 Reset
37	XT2	-	-						Vdd0
38	XT1	I	I						
39	IC	-	VPP						
40	X2	-	X2	8MHz					
41	X1	I	X1	8MHz					
42	Vss1	-	Vss1	GND					GND
43	P00/INTP0	I	I	HREQ_HPDPSP					HPDPSP Request
44	P01/INTP1	I	I	RESERVE					Pulled Down
45	P02/INTP2	I	I	RESERVE					Pulled Down
46	P03/INTP3/ADTRG	I	I	RESERVE					Pulled Down
47	P70/TI00/TO0	I/O	O	LED_BYPASS			H		BYPASS LED
48	P71/TI01	I/O	O	LED_DH1			H		DH1 LED
49	P72/TI50/TO50	I/O	O	LED_DH2			H		DH2 LED
50	P73/TI51/TO51	I/O	O	LED_DH3			H		DH3 LED
51	P74/PCL	I/O	I	_IRQA			L Edge		MODE A
52	P75/BUZ	I/O	I	RESERVE					Pulled Down
53	P64/RD	I/O	O	READ			H Edge		Read Strobe
54	P65/WR	I/O	O	WRITE					
55	P66/WAIT	I/O	O	WAIT					Wait
56	P67/ASTB	I/O	O	LATCH			L Edge		LATCH
57	P40/AD0	I/O	I/O	AD0					Address/Data Bus
58	P41/AD1	I/O	I/O	AD1					Address/Data Bus
59	P42/AD2	I/O	I/O	AD2					Address/Data Bus
60	P43/AD3	I/O	I/O	AD3					Address/Data Bus
61	P44/AD4	I/O	I/O	AD4					Address/Data Bus
62	P45/AD5	I/O	I/O	AD5					Address/Data Bus
63	P46/AD6	I/O	I/O	AD6					Address/Data Bus
64	P47/AD7	I/O	I/O	AD7					Address/Data Bus

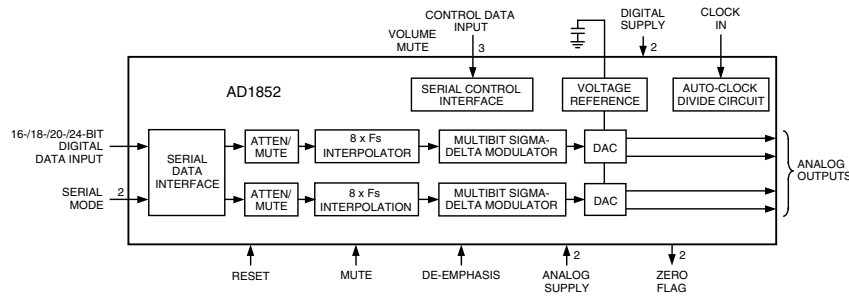
Q604 : AK7706VT



Q608 : DSP56362



QD02 - QD04 : AD1852

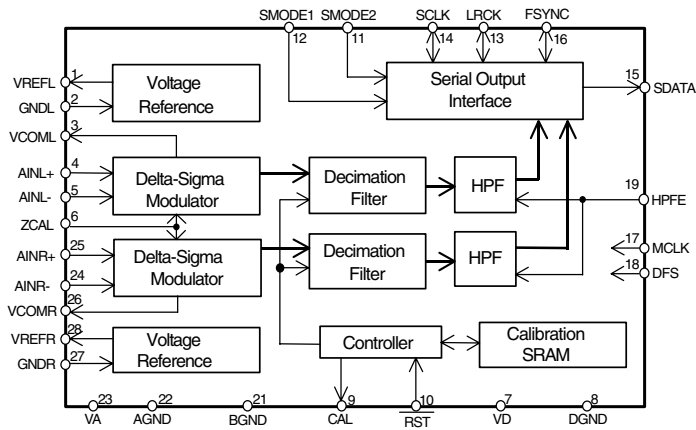


Pin	Input/Output	Pin Name	Description
1	I	DGND	Digital Ground.
2	I	MCLK	Master Clock Input. Connect to an external clock source at either 256 FS, 384 FS, 512 FS, 768 FS, or 1024 FS.
3	I	CLATCH	Latch Input for Control Data. This input is rising-edge sensitive.
4	I	CCLK	Control Clock Input for Control Data. Control input data must be valid on the rising edge of CCLK. CCLK may be continuous or gated.
5	I	CDATA	Serial Control Input, MSB first, containing 16 bits of unsigned data per channel. Used for specifying channel-specific attenuation and mute.
6	I	NC	No Connect.
7	I	192/48	Selects 48 kHz (LO) or 192 kHz Sample Frequency.
8	O	ZEROR	Right Channel Zero Flag Output. This pin goes HI when Right Channel has no signal input for more than 1024 LR Clock Cycles.
9	I	DEEMP	De-Emphasis. Digital de-emphasis is enabled when this input signal is HI. This is used to impose a 50 μ s/15 μ s response characteristic on the output audio spectrum at an assumed 44.1 kHz sample rate. Curves for 32 kHz and 48 kHz sample rates may be selected via SPI control register.
10	I	96/48	Selects 48 kHz (LO) or 96 kHz Sample Frequency.
11, 15	I	AGND	Analog Ground.
12	O	OUTR+	Right Channel Positive Line Level Analog Output.
13	O	OUTR-	Right Channel Negative Line Level Analog Output.
14	O	FI LTR	Voltage Reference Filter Capacitor Connection. Bypass and decouple the voltage reference with parallel 10 μ F and 0.1 μ F capacitors to the AGND.
16	O	OUTL-	Left Channel Negative Line Level Analog Output.
17	O	OUTL+	Left Channel Positive Line Level Analog Output.
18	I	AVDD	Analog Power Supply. Connect to Analog 5 V Supply.
19	I	FILTB	Filter Capacitor Connection. Connect 10 μ F capacitor to AGND (Pin 15).
20	I	IDPM1	Input Serial Data Port Mode Control One. With IDPM0, defines 1 of 4 serial modes.
21	I	IDPM0	Input Serial Data Port Mode Control Zero. With IDPM1, defines 1 of 4 serial modes.
22	O	ZEROL	Left Channel Zero Flag Output. This pin goes HI when Left Channel has no signal input for more than 1024 LR Clock Cycles.
23	I	MUTE	Mute. Assert HI to mute both stereo analog outputs. Deassert LO for normal operation.
24	I	R ESET	Reset. The AD1852 is reset on the rising edge of this signal. The serial control port registers are reset to the default values. Connect HI for normal operation.
25	I	L/RCLK	Left/Right Clock Input for Input Data. Must run continuously.
26	I	B CLK	Bit Clock Input for Input Data. Need not run continuously; may be gated or used in a burst fashion.
27	I	SD ATA	Serial Input, MSB first, containing two channels of 16, 18, 20, and 24 bits of twos complement data per channel.
28	I	DVDD	Digital Power Supply Connect to digital 5 V supply.

Table 1. Serial Data Input Mode

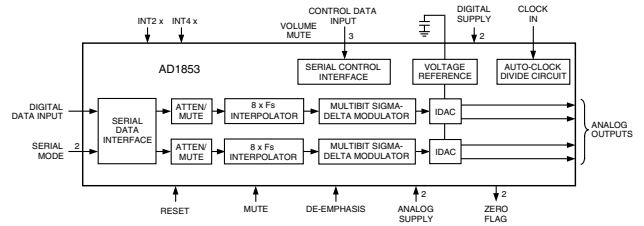
IDPM1 (Pin 20)	IDPM0 (Pin 21)	Serial Data Input Format
0	0	Right-Justified
0	1	I ^S -Compatible
1	0	Left-Justified
1	1	DSP

QK01 : AK5383

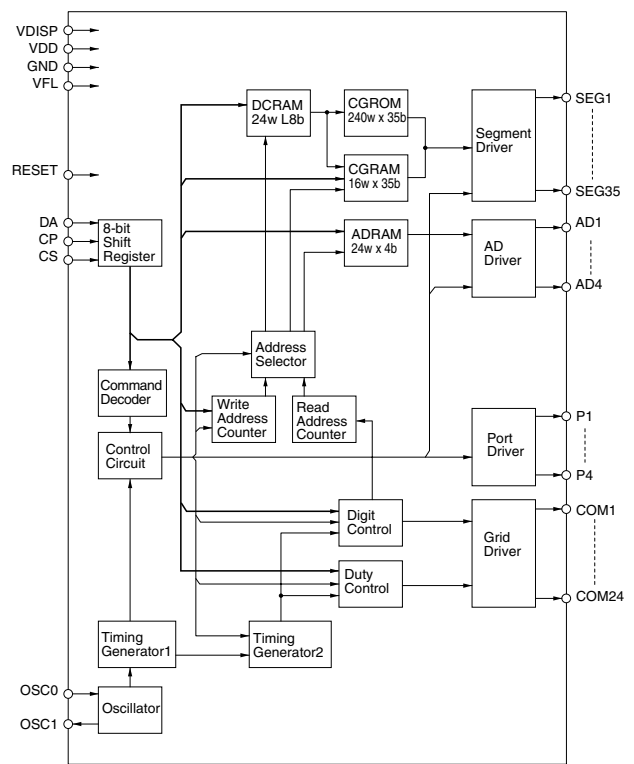


No.	Pin Name	I/O	Function
1	VREFL	O	Lch Reference Voltage Pin, 3.75V Normally connected to GNDL with a 10µF electrolytic capacitor and a 0.1µF ceramic capacitor.
2	GNDL	-	Lch Reference Ground Pin, 0V
3	VCOML	O	Lch Common Voltage Pin, 2.75V
4	AINL+	I	Lch Analog positive input Pin
5	AINL-	I	Lch Analog negative input Pin
6	ZCAL	I	Zero Calibration Control Pin This pin controls the calibration reference signal. "L": VCOML and VCOMR "H": Analog Input Pins (AINL+, AINR+)
7	VD	-	Digital Power Supply Pin, 3.3V
8	DGND	-	Digital Ground Pin, 0V
9	CAL	O	Calibration Active Signal Pin "H" means the offset calibration cycle is in progress. Offset calibration starts when RST goes "H". CAL goes "L" after 8704 LRCK cycles for DFS="L", 17408 LRCK cycles for DFS="H".
10	RST	I	Reset Pin When "L", Digital section is powered-down. Upon returning "H", an offset calibration cycle is started. An offset calibration cycle should always be initiated after power-up.
11	SMD2	I	Serial Interface Mode Select Pin
12	SMD1	I	MSB first, 2's complement. SMD2 SMD1 MODE LRCK L L Slave mode : MSB justified : H/L L H Master mode : Similar to I'S : H/L H L Slave mode : I'S : L/H H H Master mode : I'S : L/H
13	LRCK	I/O	Left/Right Channel Select Clock Pin LRCK goes "H" at SMD2="L" and "L" at SMD2="H" during reset when SMD1 "H".
14	SCLK	I/O	Serial Data Clock Pin Data is clocked out on the falling edge of SCLK. Slave mode: SCLK requires more than 48fs clock. Master mode: SCLK outputs a 128fs(DFS="L") or 64fs(DFS="H") clock. SCLK stays "L" during reset.
15	SDATA	O	Serial Data Output Pin MSB first, 2's complement. SDATA stays "L" during reset.
16	FSYNC	I/O	Frame Synchronization Signal Pin Slave mode: When "H", the data bits are clocked out on SDATA's mode, FSYNC is Don't care. Master mode: FSYNC outputs 2fs clock. FSYNC stays "L" during reset.
17	MCLK	I	Master Clock Input Pin 256fs at DFS="L", 128fs at DFS="H".
18	DFS	I	Double Speed Sampling Mode Pin "L": Normal Speed "H": Double Speed
19	HPFE	I	High Pass Filter Enable Pin "L": Disable "H": Enable
20	TEST	I	Test Pin (pull-down pin) Should be connected to GND.
21	BGND	-	Substrate Ground Pin, 0V
22	AGND	-	Analog Ground Pin, 0V
23	VA	-	Analog Supply Pin, 5V
24	AINR-	I	Rch Analog negative input Pin
25	AINR+	I	Rch Analog positive input Pin
26	VCOMR	O	Rch Common Voltage Pin, 2.75V
27	GNDR	-	Rch Reference Ground Pin, 0V
28	VREFR	O	Rch Reference Voltage Pin, 3.75V Normally connected to GNDR with a 10µF electrolytic capacitor and a 0.1µF ceramic capacitor

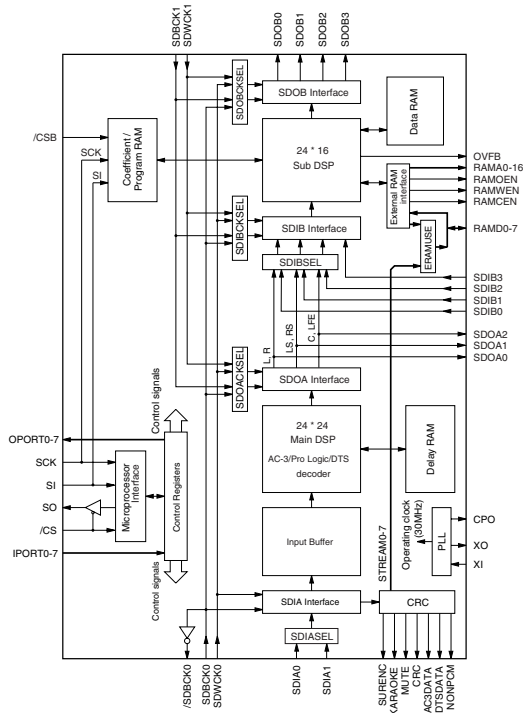
QD01 : AD1853



QU02 : ML9205-01GA



Q601 :YSS912

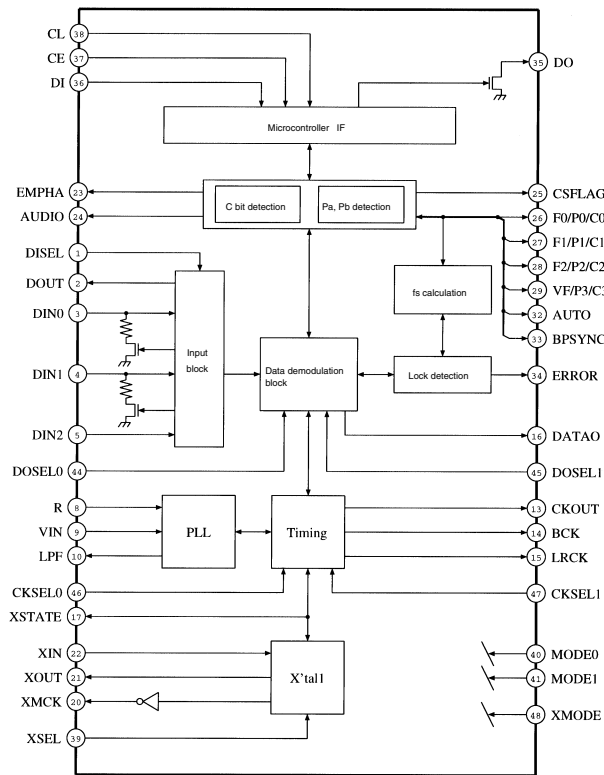


No.	Name	I/O	FUNCTION
1	VDD1	-	+5V power supply (for I/Os)
2	RAMCEN	O	External SRAM interface /CE
3	RAMA16	O	External SRAM interface address 16
4	RAMA15	O	External SRAM interface address 15
5	SDIB0	I+	PCM input 0 to Sub DSP
6	SDIB1	I+	PCM input 1 to Sub DSP
7	SDIB2	I+	PCM input 2 to Sub DSP
8	XI	I	Crystal oscillator connection (12.288 MHz)
9	XO	O	Crystal oscillator connection
10	VSS	-	Ground
11	AVDD	-	+3.3 V power supply (for PLL circuit)
12	SDIB3	I+	PCM input 3 to Sub DSP
13	TEST		Test terminal (to be open in normal use)
14	TEST		Test terminal (to be open in normal use)
15	OVFB	O	Detection of overflow at Sub DSP
16	DTSDATA	O	Detection of DTS data
17	AC3DATA	O	Detection of AC-3 data
18	SDOB3	O	PCM output from Sub DSP
19	CPO	A	Output terminal for PLL, to be connected to ground through the external analog filter circuit
20	AVSS	-	Ground (for PLL circuit)
21	VDD2	-	+3.3 V power supply (for core logic)
22	SDOA2	O	PCM output from Main DSP (C, LFE)
23	SDOA1	O	PCM output from Main DSP (LS, RS)
24	SDOA0	O	PCM output from Main DSP (L, R)
25	RAMA14	O	External SRAM interface address 14
26	RAMA13	O	External SRAM interface address 13
27	RAMA12	O	External SRAM interface address 12
28	RAMA11	O	External SRAM interface address 11
29	RAMA10	O	External SRAM interface address 10
30	VSS	-	Ground
31	VDD1	-	+5V power supply (for I/Os)
32	OPORT0	O	Output port for general purpose
33	OPORT1	O	Output port for general purpose
34	OPORT2	O	Output port for general purpose
35	OPORT3	O	Output port for general purpose
36	OPORT4	O	Output port for general purpose
37	OPORT5	O	Output port for general purpose
38	OPORT6	O	Output port for general purpose
39	OPORT7	O	Output port for general purpose
40	VSS	-	Ground
41	VDD2	-	+3.3 V power supply (for core logic)
42	RAMA9	O	External SRAM interface address 9
43	RAMA8	O	External SRAM interface address 8
44	RAMA7	O	External SRAM interface address 7
45	SDOB2	O	PCM output from Sub DSP
46	SDOB1	O	PCM output from Sub DSP
47	SDOB0	O	PCM output from Sub DSP
48	SDBCK1	I+	Bit clock input for SDOA, SDIB, SDOB
49	SDWCK1	I+	Word clock input for SDOA, SDIB, SDOB
50	VSS	-	Ground
51	VDD2	-	+3.3 V power supply (for core logic)
52	NONPCM	O	Detection of non-PCM data
53	CRC	O	Detection of AC-3 CRC error
54	MUTE	O	Detection of auto mute
55	KARAOKE	O	Detection of AC-3 karaoke data

No.	Name	I/O	FUNCTION
56	SURENC	O	Detection of AC-3 2/0 mode Dolby surround encoded input
57	/SDBCK0	O	Inverted SDBCK0 clock output (refer to Block diagram)
58	RAMA6	O	External SRAM interface address 6
59	RAMA5	O	External SRAM interface address 5
60	VSS	-	Ground
61	RAMA4	O	External SRAM interface address 4
62	/IC	Is	Initial clear
63	TEST		Test terminal (to be open in normal use)
64	RAMA3	O	External SRAM interface address 3
65	/CSB	Is+	Sub DSP Chip select
66	/CS	Is	Microprocessor interface Chip select input
67	SO	Ot	Microprocessor interface Serial data output
68	SI	Is	Microprocessor interface / Sub DSP Serial data input
69	SCK	Is	Microprocessor interface / Sub DSP clock input
70	RAMA2	O	External SRAM interface address 2
71	VDD1	-	+5V power supply (for I/Os)
72	RAMD0	I+/ O	External SRAM interface data (STREAM0 output when External SRAM is not in use)
73	RAMD1	I+/ O	External SRAM interface data (STREAM1 output when External SRAM is not in use)
74	RAMD2	I+/ O	External SRAM interface data (STREAM2 output when External SRAM is not in use)
75	RAMD3	I+/ O	External SRAM interface data (STREAM3 output when External SRAM is not in use)
76	RAMD4	I+/ O	External SRAM interface data (STREAM4 output when External SRAM is not in use)
77	RAMD5	I+/ O	External SRAM interface data (STREAM5 output when External SRAM is not in use)
78	RAMD6	I+/ O	External SRAM interface data (STREAM6 output when External SRAM is not in use)
79	RAMD7	I+/ O	External SRAM interface data (STREAM7 output when External SRAM is not in use)
80	VSS	-	Ground
81	VDD2	-	+3.3 V power supply (for core logic)
82	SDWCK0	I	Word clock input for SDIA, SDOA, SDIB, SDOB
83	SDBCK0	I	Bit clock input for SDIA, SDOA, SDIB, SDOB
84	SDIA0	I	AC-3 bitstream (or PCM) data input for Main DSP
85	SDIA1	I	AC-3 bitstream (or PCM) data input for Main DSP
86	RAMA1	O	External SRAM interface address 1
87	RAMA0	O	External SRAM interface address 0
88	RAMWEN	O	External SRAM interface /WE
89	RAMOEN	O	External SRAM interface /OE
90	VSS	-	Ground
91	VDD2	-	+3.3 V power supply (for core logic)
92	IPOINT7	I+	Input port for general purpose
93	IPOINT6	I+	Input port for general purpose
94	IPOINT5	I+	Input port for general purpose
95	IPOINT4	I+	Input port for general purpose
96	IPOINT3	I+	Input port for general purpose
97	IPOINT2	I+	Input port for general purpose
98	IPOINT1	I+	Input port for general purpose
99	IPOINT0	I+	Input port for general purpose
100	VSS	-	Ground

NOTE) Is: Schmidt trigger input terminal
I+: Input terminal with a pull-up resistor
O: Digital output terminal
Ot: Tri-state digital output terminal
A: Analog terminal

QR05 : LC89055



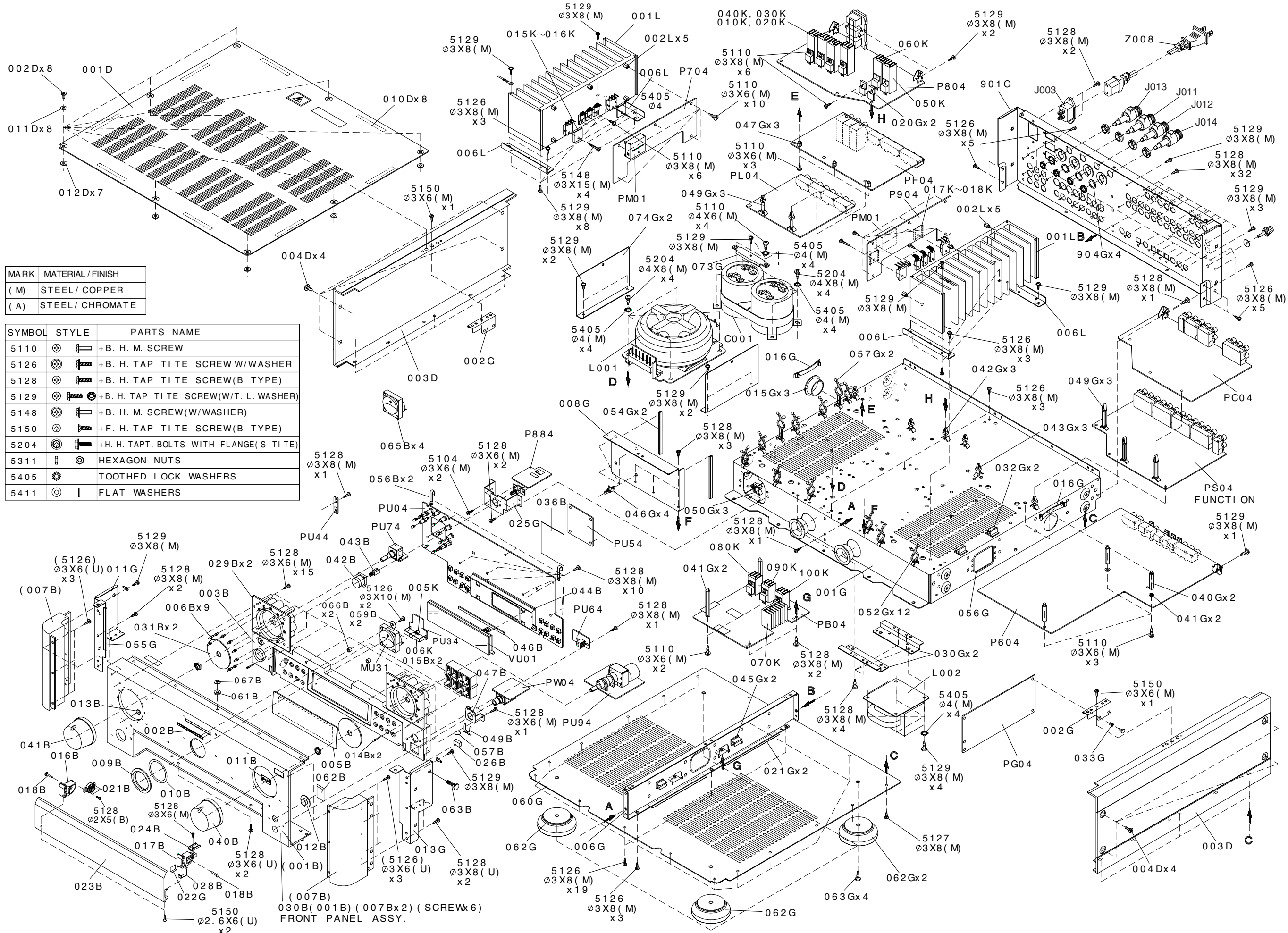
No.	Pin name	I/O	Function
1	DISEL	I	Data input pin (DIN0, DIN1) selection input pin
2	DOUT	O	Input bi-phase data through output pin
3	DIN0	I	Digital data input pin (CMOS level, with pull-down resistance when no selected)
4	DIN1	I	Digital data input pin (CMOS level, with pull-down resistance when no selected)
5	DIN2	I	Digital data input pin (TTL level)
6	DGND		Digital GND
7	DV DD		Digital power supply
8	R	I	VCO gain control input pin
9	VIN	I	VCO free-running frequency setting input pin
10	LPF	O	PLL loop filter setting pin
11	A VDD		Analog power supply
12	A GND		Analog GND
13	CKOUT	O	Clock output pin (256 fs, 384 fs, 512 fs, crystal oscillation, VCO free-running oscillation)
14	BCK	O	64 fs clock output pin
15	LRCK	O	fs clock output pin (L = R-ch, H = L-ch, f ² S = inverted)
16	DATAO	O	Data output pin
17	XSTATE	O	Source clock switch monitor output pin
18	DGND		Digital GND
19	DV DD		Digital power supply
20	XMCK	O	Crystal oscillation clock output pin (24.576 MHz or 12.288 MHz)
21	XOUT	O	Crystal oscillator connection output pin
22	XIN	I	Crystal oscillator connection input pin, external signal input supported (24.576 MHz or 12.288 MHz)
23	EMPHA	O	Channel status emphasis information output pin
24	AUDIO	O	Channel status bit 1 (non-PCM data detection bit) output pin
25	CSFLAG	O	First 40 channel status bits update flag output pin
26	F0/P0/C0	O	Input fs calculation signal output/Pc data type output/input word length information output pin
27	F1/P1/C1	O	Input fs calculation signal output/Pc data type output/input word length information output pin
28	F2/P2/C2	O	Input fs calculation signal output/Pc data type output/input word length information output pin
29	VF/P3/C3	O	Validity flag output/Pc data type output/input word length information output pin
30	DV DD		Digital GND
31	DGND		Digital power supply
32	AUTO	O	Non-PCM burst data transfer detection signal (Pa, Pb detection) output pin
33	BPSYNC	O	Non-PCM burst preamble Pa, Pb, Pc, Pd sync signal output pin
34	ERROR	O	PLL lock error or data error flag output pin
35	DO	O	Microcontroller IF/read data output pin
36	DI	I	Microcontroller IF/write data input pin
37	CE	I	Microcontroller IF/Chip enable input pin
38	CL	I	Microcontroller IF/clock input pin
39	XSEL	I	[XIN] crystal oscillation selection input pin (24.576 MHz or 12.288 MHz)
40	MODE0	I	Mode setting input pin
41	MODE1	I	Mode setting input pin
42	DGND		Digital GND
43	DV DD		Digital power supply
44	DOSEL0	I	Output data format selection input pin
45	DOSEL1	I	Output data format selection input pin
46	CKSEL0	I	Output clock selection input pin
47	CKSEL1	I	Output clock selection input pin
48	XMODE	I	System reset input pin

Note: *Perform digital power supply (DVDD) and analog power supply (AVDD) ON/OFF with the same potential and the same timing as a latch-up countermeasure.

8. EXPLODED VIEW AND PARTS LIST

POS. NO	VERS. COLOR	PART NO. (FOR PCS)	DESCRIPTION	PART NO. (MJI)	POS. NO	VERS. COLOR	PART NO. (FOR PCS)	DESCRIPTION	PART NO. (MJI)
001B	/F		FRONT PANEL AL GOLD	330J248110				PACKING	
001B	/L, /S		FRONT PANEL AL GOLD S	330J248140	001T	/F		USER GUIDE FOR F	330J851110
001B	/N	9965 000 09139	FRONT PANEL AL GOLD N	330J248130	001T	/L, /S		USER GUIDE FOR S	330J851350
002B		9965 000 01554	BADGE MZ GOLD	313J251110	001T	/N	9965 000 09155	USER GUIDE FOR N	330J851310
003B		9965 000 09140	FRONT PANEL MOULD GOLD	330J248120					
005B		9965 000 09141	WINDOW GOLD	330J158010	Z001		9965 000 09138	REMOTE COMMANDER RC-17PS	*ZK330JSRR
006B		4822 381 11893	LENS FUNCTION	269J355010					
007B		9965 000 09142	ESCUTCHEON CONER GOLD	330J063110	Z008	/F, /L	4822 321 11337	MAINS CORD	ZC01802080
009B	/F, /L, /S		ESCUTCHEON METER GOLD	289J063120				MITY DC-302-J 125V 12A	
009B	/N	4822 532 13059	ESCUTCHEON METER GLD N	289J063110	▲ Z008	/N	4822 321 11033	MAINS CORD	ZC01803080
011B	/F		BADGE SUPER AUDIO	318J251010				AC 250V 10A CLASS-2	
011B	/L, /S		BADGE S. A	313J251020	▲ Z008	/S		MAINS CORD	ZC01804100
012B		4822 381 12016	LENS IR GOLD	256J355030				AC 250V 10A FOR UK	
013B		4822 381 11677	LENS POWER	230K355020					
015B		9965 000 09144	BUTTON GOLD	330J270110					
016B		9965 000 09145	ARM HINGE DOOR L GOLD	330J002110					
017B		9965 000 09146	ARM HINGE DOOR R GOLD	330J002120					
018B		9965 000 01801	SHAFT DOOR	300J112010					
021B		9965 000 09147	DAMPER DOOR	391H130010					
023B	/F		DOOR PANEL GOLD	330J162110					
023B	/L, /N, /S	9965 000 09148	DOOR PANEL GOLD BLAST	330J162120					
026B		4822 526 20213	MAGNET DOOR MAGNET	271K305500					
028B			SPRING DOOR ESD	330J115010					
029B		9965 000 09149	BUSHING L R	330J259110					
040B		9965 000 09150	KNOB MASTER	330J154110					
041B		9965 000 09151	KNOB FUNCTION GOLD	330J154120					
042B		4822 410 11276	BUTTON POWER	176J270150					
043B		4822 404 21012	JOINT LINK POWER BUTTON	025J125010					
044B		4822 256 92097	HOLDER FL	183J271020					
062B		9965 000 09152	MASK IR	300J303030					
070B			WASHER	245S012020					
001D		9965 000 09153	LID TOP GOLD	330J257110					
002D		9965 000 06313	SCREW SCR.TOP LID	323S010040					
003D		9965 000 09154	SIDE PANEL	330J249110					
004D		4822 502 14613	SCREW SCR.SIDE PANEL	258S010020					
062G		4822 462 42134	LEG	291K057010					
▲ C001		9965 000 09106	ELECT. CAP. 5000µF 63V GOLD TUNE	OB15906330					
▲ C002		9965 000 09106	ELECT. CAP. 15000µF 63V GOLD TUNE	OB15906330					
▲ J003		4822 265 11399	JACK 2P AC INLET SOT-16C	YJ04002360					
J011		4822 265 11424	TERMINAL WBT-0765 RED	YT01010360					
J012		4822 265 11424	TERMINAL WBT-0765 RED	YT01010360					
J013		4822 265 11425	TERMINAL WBT-0765 WHT	YT01010370					
J014		4822 265 11425	TERMINAL WBT-0765 WHT	YT01010370					
▲ L001	/F		MAINS TRANSF. R-400 100V 50/60Hz	TS42002160					
▲ L001	/L		MAINS TRANSF. R-400 110V 60Hz	TS42002190					
▲ L001	/N, /S	9965 000 09107	MAINS TRANSF. R-400 230V 50Hz EMC	TS42002180					
▲ L002	/F		MAINS TRANSF. R-25D R-CORE FOR F	TS72502010					
▲ L002	/L		MAINS TRANSF. R-25D R-CORE 110V 60Hz	TS72502030					
L002	/N, /S	9965 000 09108	MAINS TRANSF. R-25D R-CORE FOR N	TS72502020				NOT STANDARD SPARE PARTS	
L003		4822 526 10691	FERRITE CORE TFCK-16-8-13	FC50160030	001S	/F		PACKING CASE	330J801010
L601		4822 526 10691	FERRITE CORE TFCK-16-8-13	FC50160030	002S			CUSHION L	330J809010
L603		4822 526 10691	FERRITE CORE TFCK-16-8-13	FC50160030	003S			CUSHION R	330J809020

NOTE : "nsp" PART IS LISTED FOR REFERENCE ONLY, MARANTZ WILL NOT SUPPLY THESE PARTS.



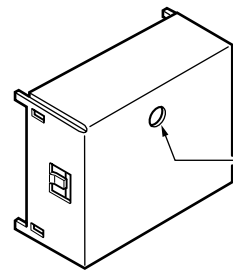
MARK	MATERIAL / FINISH
(M)	STEEL / COPPER
(A)	STEEL / CHROMATE

SYMBOL	STYLE	PARTS NAME
5110		+B. H. M. SCREW
5126		+B. H. TAP TITE SCREW W/WASHER
5128		+B. H. TAP TITE SCREW (B TYPE)
5129		+B. H. TAP TITE SCREW (W/T. L. WASHER)
5148		+B. H. M. SCREW (W/WASHER)
5150		+F. H. TAP TITE SCREW (B TYPE)
5204		+H. H. TAPT. BOLTS WITH FLANGE (S TITE)
5311		HEXAGON NUTS
5405		TOOTHED LOCK WASHERS
5411		FLAT WASHERS

030B (001B) (007Bx2) (SCREWx6)
FRONT PANEL ASSY.

9. DC OFFSET VOLTAGE ALIGNMENT

1. Before turning on the main power switch, turn down the main volume to the minimum position. Turn the variable resistors R727 on the PCB P701(L ch) and R927 on the PCB P901(R ch) counterclockwise to the end.
2. Connect a digital voltage meter to the speaker terminals on the backside. (Set the meter at DC position)
3. Put an adjustment screw driver into the hole on the cover of HDAMs(Q701:L ch/Q901:R ch) to adjust the variable resistor inside. Turn on the main power and within 10 seconds after the speaker relay turns on adjust the variable resistor to $0mV \pm 3mV$ of the digital voltage meter reading.



DC オフセット電圧調整

1. 本体の電源スイッチを入れるまえに、ボリュームを最小に、バランス及びトーンコントロールをセンターに合わせます。P701 基板上の R727 (L ch) 及び P901 基板上の R927 (R ch) の半固定抵抗を反時計回りにしぼりきります。
2. 本体背面のスピーカー端子にデジタルボルトメータを接続します。(レンジは DC に設定する。)
3. HDAM(Q701 : L ch/Q901 : R ch) のカバーにあいた穴に調整用ドライバーをさし込み、中の半固定抵抗を回せるようにします。電源スイッチをオンにし、スピーカーリレーがオンになってから 10 秒以内に半固定抵抗を回しデジタルボルトメータの値が $0mV \pm 3mV$ になるように調整します。

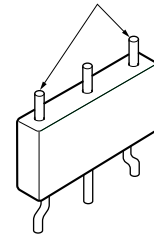
10. IDLING CURRENT ALIGNMENT

REMARK

Idling current adjustment must be done AFTER DC offset voltage adjustment is done.

1. Connect a digital voltage meter to the terminals that are the two terminals at the both side out of three terminals on the cement resistors R741(L ch) and R941(R ch). See the figure below. (Set the meter at DC position)
2. Turn on the main power and wait about 10 minutes until the idling current becomes stable.
3. Turn the variable resistors R727 on the PCB P701(L ch) and R927 on the PCB P901(R ch) clockwise and adjust those to become the readings of the digital voltage meter to $9mV \pm 1mV$ (45mA) .

Measurement point



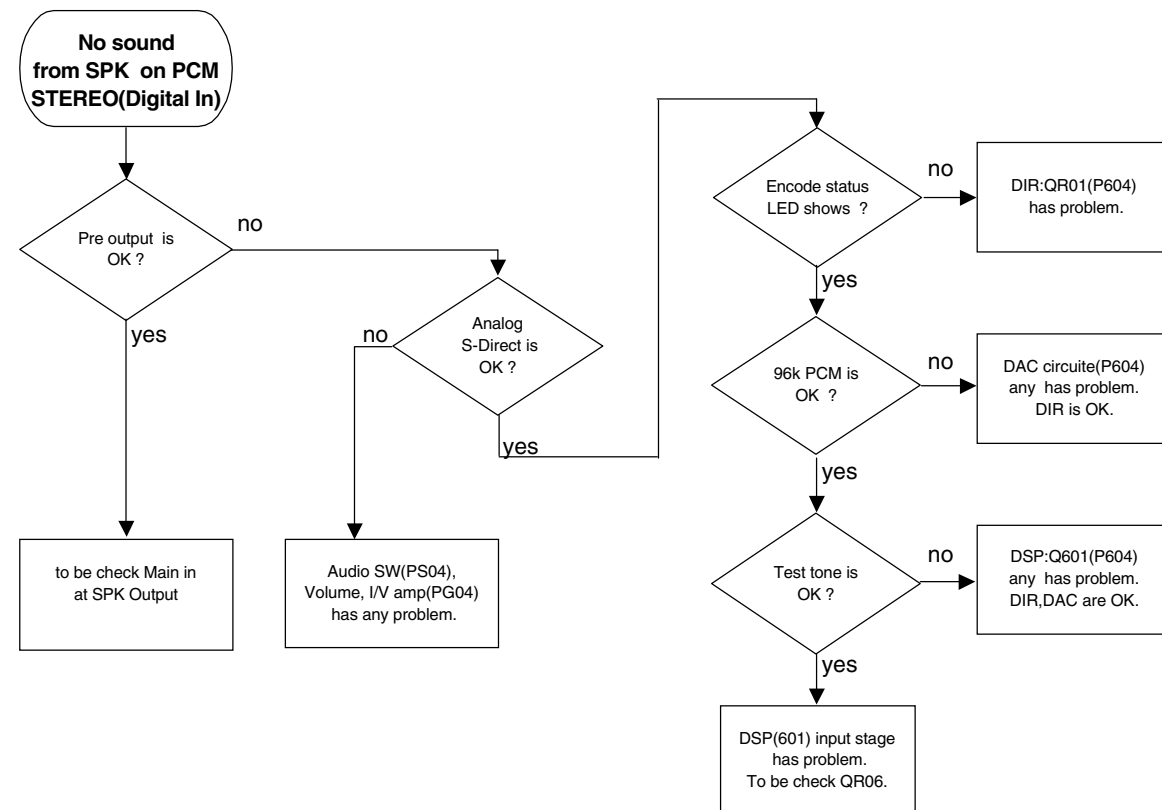
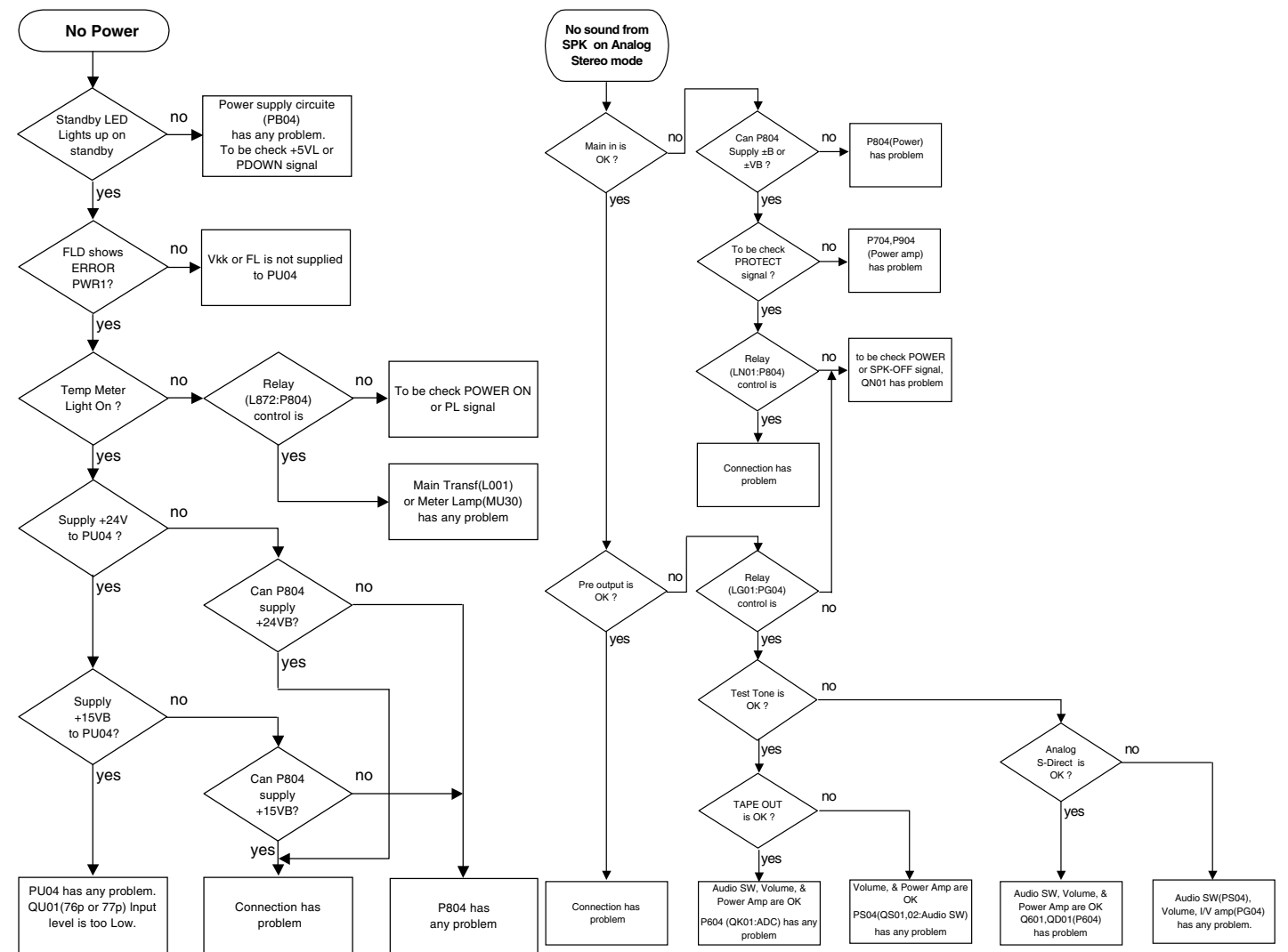
アイドリング電流調整

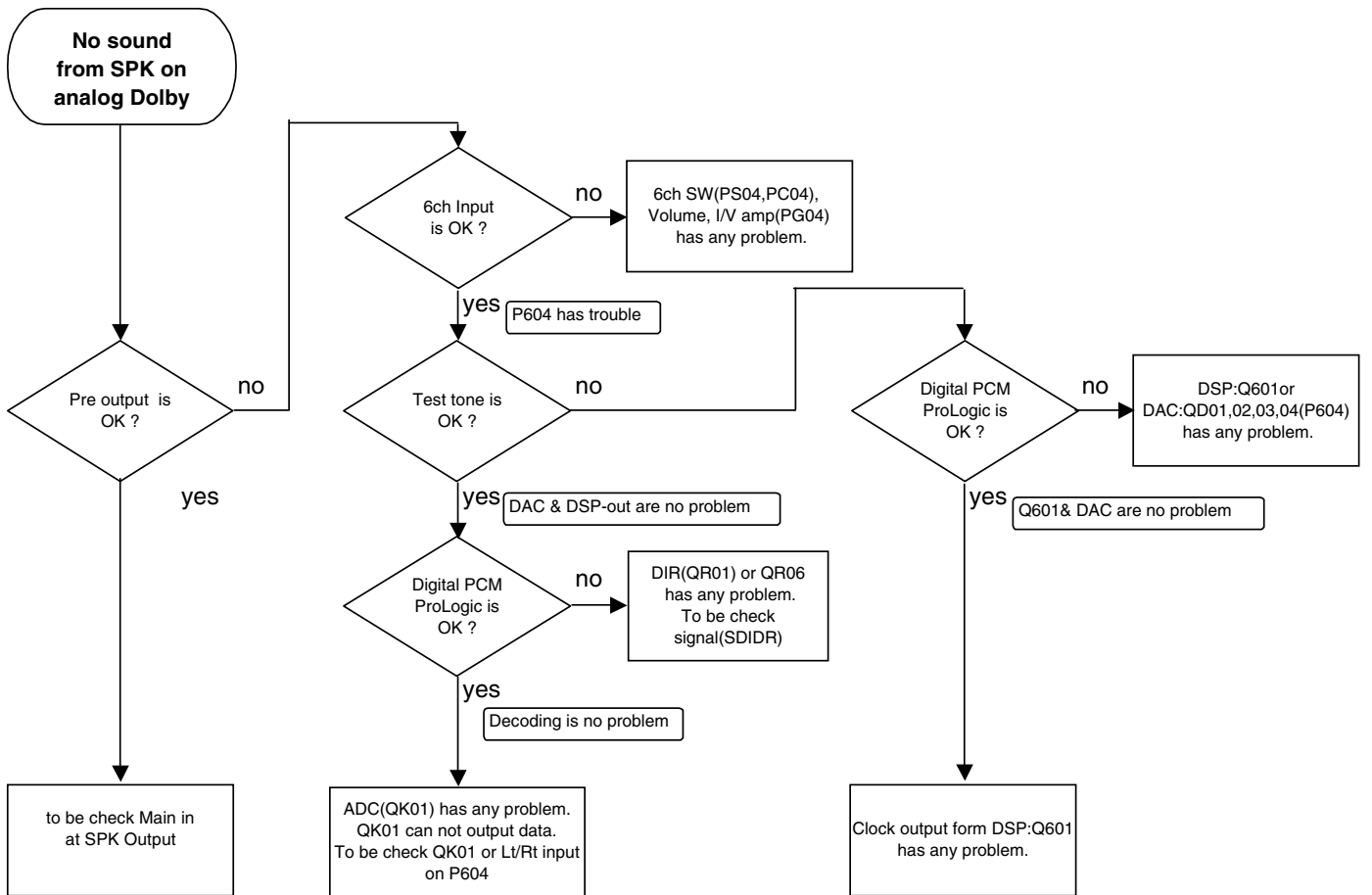
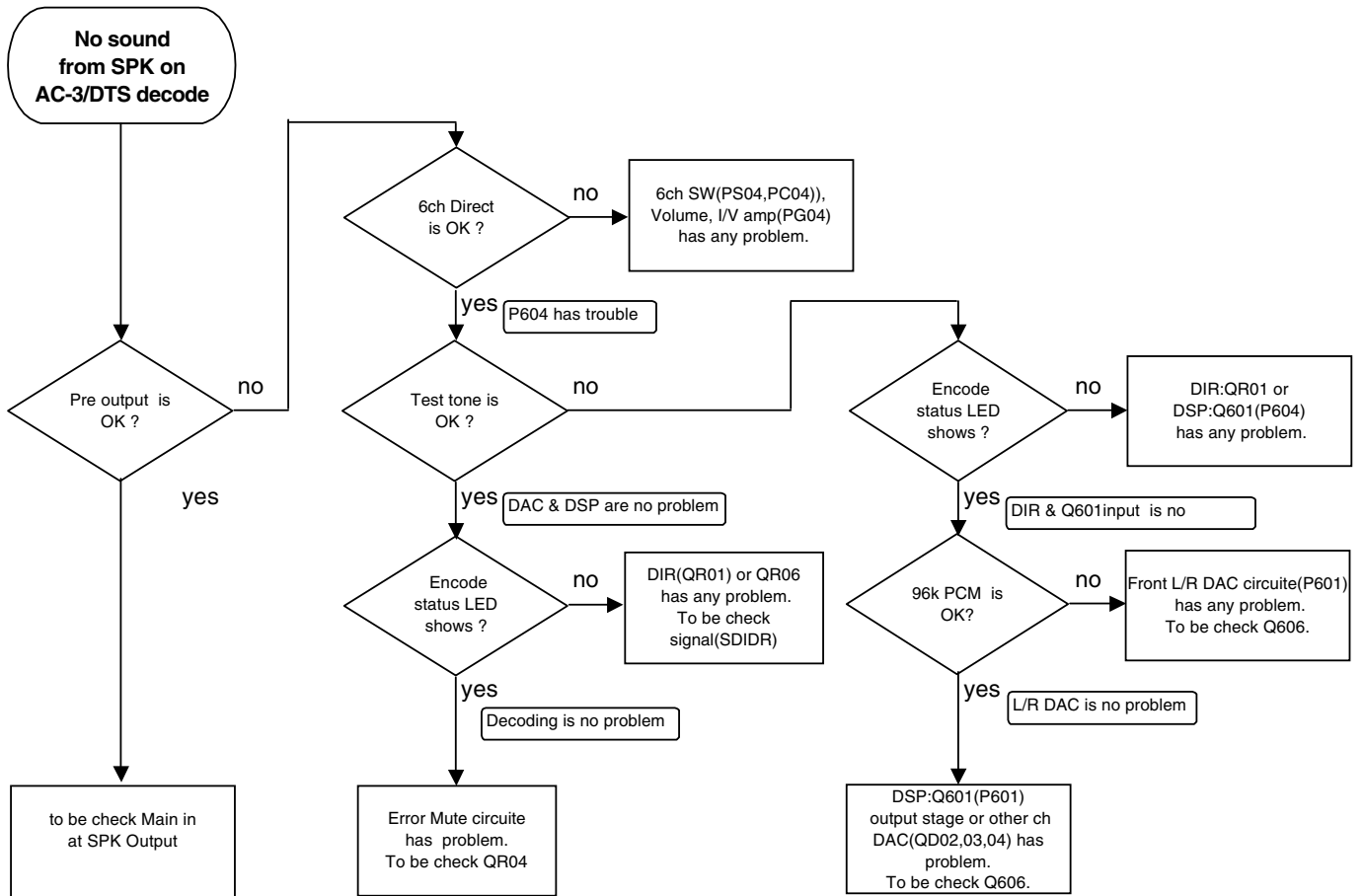
【注意】

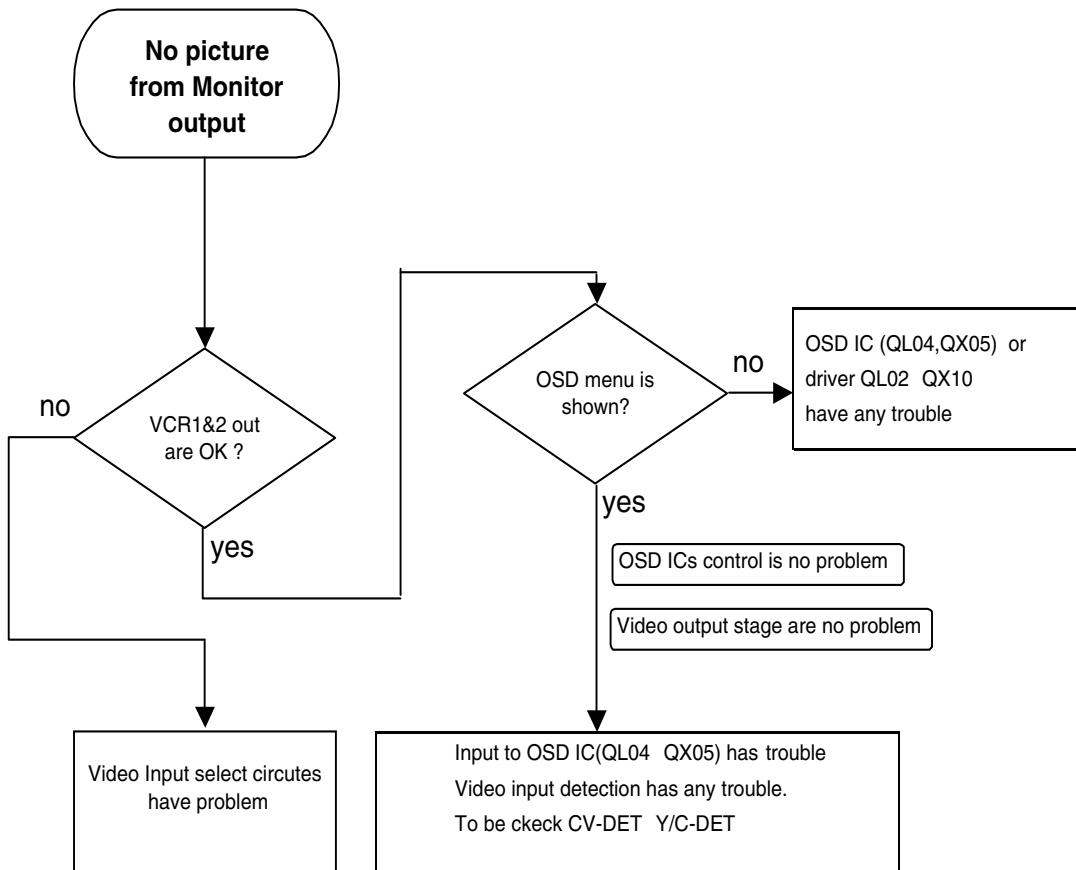
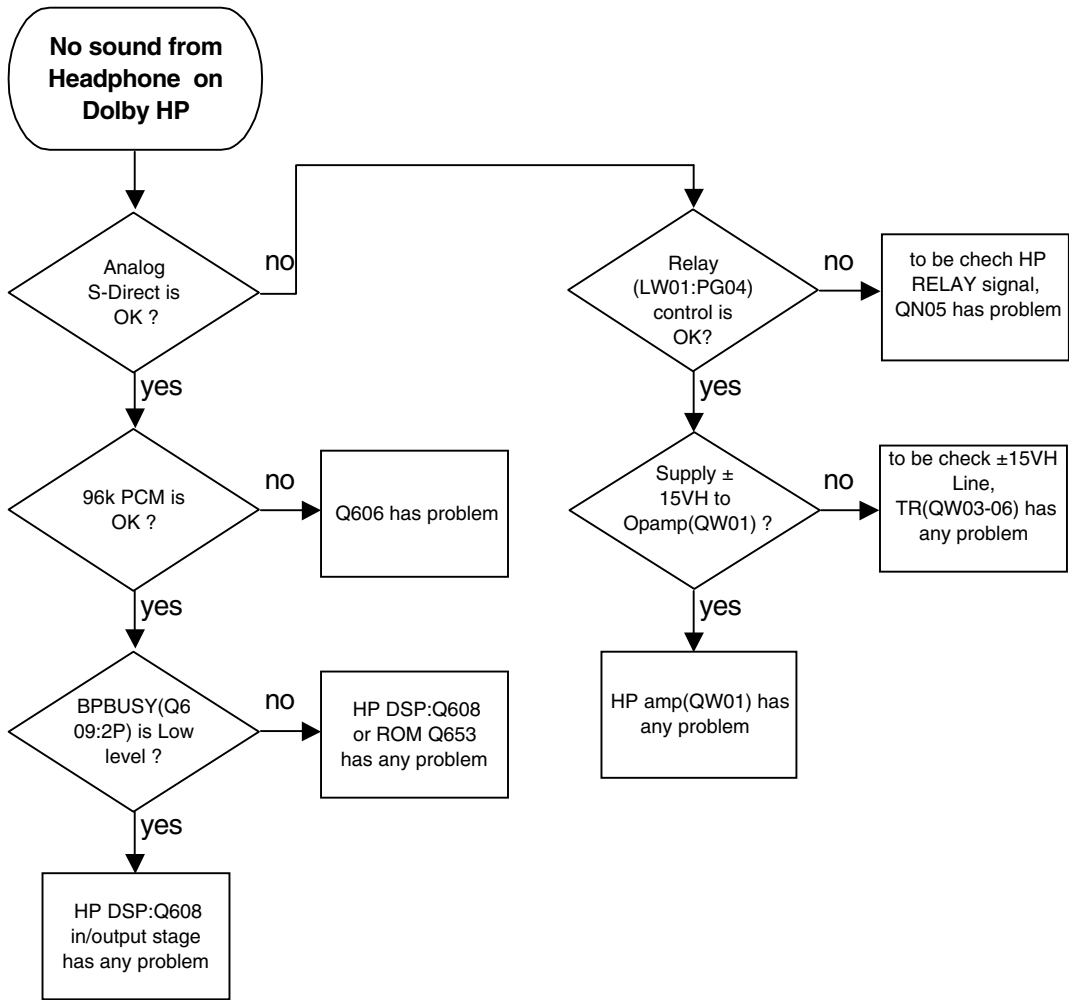
アイドリング電流の調整は必ず DC オフセット電圧の調整を終えてから行って下さい。

1. P701 基板上のセメント抵抗 R741 (L ch) 及び P901 基板上のセメント抵抗 R941 (R ch) の 3 本の測定用端子のうち両端の 2 本にデジタルボルトメータを接続します。(レンジは DC に設定する。)
2. 電源スイッチをオンにし、アイドリング電流が安定するまで、およそ 10 分間放置します。
3. P701 基板上の半固定抵抗 R727(L ch) と P901 基板上の半固定抵抗 R927(R ch) を時計回りにまわしデジタルボルトメータの値が $9mV \pm 1mV$ (45mA) になるように調整します。

11. TROUBLE SHOOTING







12. TECHNICAL DESCRIPTION

This product has two DSP ICs, one is for Dolby Digital (AC-3) decoding or DTS (Digital Theater System) decoding, another is for Dolby H.P. processing.

Multi channel sound is reproduced by connecting with DVD player or LD player.

Also Dolby Pro Logic decode is available to analog audio and PCM digital audio.

Additionally, 96kHz PCM stereo audio playback is possible.

Decoding circuit is consist of 13 ICs (DIR, tree DSP, ADC, five DAC, two data separator and CPU).

DOLBY DIGITAL (AC-3)

Dolby Digital delivers six totally separate (discrete) channels of sound. Like Dolby Surround Pro Logic, it includes Left, Center and Right channels across the front of the room. Dolby Surround Pro Logic provides a single limited-bandwidth (100 Hz to 7,000 Hz) surround channel which is typically played back in the home through two channels of amplification and two speakers. In comparison, Dolby Digital provides separate (discrete) left surround and right surround channels, for more precise localization of sounds and a more convincing, realistic ambience. And, with Dolby Digital, all five main channels are full range (3 Hz to 20,000 Hz). A subwoofer could be added to each channel, if desired.

The sixth channel, the Low Frequency Effects Channel, will, at times, contain additional bass information to maximize the impact of scenes such as explosions, crashes, etc. Because this channel has only a limited frequency response (3 Hz to 120 Hz), it is sometimes referred to as the .1 channel. When added to the 5 full range channels, the Dolby Digital system is sometimes referred to as having 5.1 channels.

DTS

An amazing new technology for surround-sound entertainment, DTS Digital Surround is an encode/decode system that delivers six channels (5.1) of master-quality, 20-bit audio. In the encoding process, the DTS algorithm encrypts six channels of 20-bit digital audio information in the space previously allotted for only two channels of 16-bit linear PCM. Then during playback, the DTS decoder reconstructs the original six channels of 20-bit digital audio. Each of these six channels is audibly superior to the 16-bit linear PCM audio found on conventional compact discs.

SRS

The playback mode is selected as follows depending on the input signals and speakers used.

- When the setting calls for the surround speakers to be used:

UltraSurround processing is added when multi-channel signals are input. This causes the sound to be reproduced in a wide sound field with improved links between the channels.

Circle Surround playback is performed when 2-channel signals are input. In this case, either music mode or cinema mode can be selected.

CS CINEMA: This is suited to movie playback. Conventional movies recorded in surround sound will also be played back as 5.1-channel sound.

CS MUSIC: This is suited to music playback. Two-channel music sources are converted into 5.1-channel sound for playback.

- When the setting does not call for the surround speakers to be used:

Using only the front speakers virtual surround sound playback results to give the impression that surround speakers are present. Virtual surround sound playback using TruSurround is performed when multi-channel sound is input.

CS Virtual surround sound playback is performed when 2-channel signals are input. In this case, the Circle Surround effect can be enjoyed by the front speakers alone.

Note:

The effect will differ depending on the playback source and viewing/listening position. The sound of some sources may be played back unnaturally. Playback is not initiated for 96 kHz PCM input signals.

6.1 Surround

This can be used when back surround speakers are used.

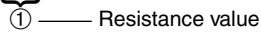
Unique matrix processing is performed for the surround channels among the 5.1-channel signals to generate back surround channels. This further enhances the sound of the source subjected to Surround EX or DTS-ES processing.

13. ELECTRICAL PARTS LIST

ASSIGNMENT OF COMMON PARTS CODES.

RESISTORS

R*:** 1) GD05xxx 140, Carbon film fixed resistor, $\pm 5\%$ 1/4W
R*:** 2) GD05xxx 160, Carbon film fixed resistor, $\pm 5\%$ 1/6W



Examples ;

① Resistance value

0.1 Ω 001 10 Ω 100 1 k Ω 102 100 k Ω 104
0.5 Ω 005 18 Ω 180 2.7 k Ω 272 680 k Ω 684
1 Ω 010 100 Ω 101 10 k Ω 103 1 M Ω 105
6.8 Ω 068 390 Ω 391 22 k Ω 223 4.7 M Ω 475

Note : Please distinguish 1/4W from 1/6W by the shape of parts used actually.

CAPACITORS

C*:** CERAMIC CAP.

3) DD1xxx 370, Ceramic capacitor
Disc type
Temp.coeff.P350 ~N1000, 50V

Examples ;

② Tolerance (Capacity deviation)

± 0.25 pF 0
 ± 0.5 pF 1
 $\pm 5\%$ 5

* Tolerance of COMMON PARTS handled here are as follows :

0.5 pF ~ 5 pF ± 0.25 pF
6 pF ~ 10 pF ± 0.5 pF
12 pF ~ 560 pF $\pm 5\%$

③ Capacity value

0.5 pF 005 3 pF 030 100 pF 101
1 pF 010 10 pF 100 220 pF 221
1.5 pF 015 47 pF 470 560 pF 561


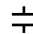
C*:** CERAMIC CAP.

4) DK16xxx 300, High dielectric constant ceramic capacitor
Disc type
Temp.chara. 2B4, 50V

Examples ;

④ Capacity value

100 pF 101 1000 pF 102 10000 pF 103
470 pF 471 2200 pF 222

C*:** 5) ELECTROLY CAP. (), 6) FILM CAP. ()

5) EAxxx 10, Electrolytic capacitor
One-way lead type, Tolerance $\pm 20\%$

Examples ;

⑤ Capacity value

0.1 μ F 104 4.7 μ F 475 100 μ F 107
0.33 μ F 334 10 μ F 106 330 μ F 337
1 μ F 105 22 μ F 226 1100 μ F 118
2200 μ F 228

⑥ Working voltage

6.3V 006 25V 025
10V 010 35V 035
16V 016 50V 050

6) DF15xxx 350 → Plastic film capacitor
DF15xxx 310 → One-way type, Mylar $\pm 5\%$ 50V
DF16xxx 310 → Plastic film capacitor
One-way type, Mylar $\pm 10\%$ 50V

Examples ;

⑦ Capacity value

0.001 μ F (1000 pF) 102 0.1 μ F 104
0.0018 μ F 182 0.56 μ F 564
0.01 μ F 103 1 μ F 105
0.015 μ F 153

NOTE : 1) The above CODES (**R*****, **R*****, **C*****, **C***** and **C*****) are omitted on the schematic diagram in some case.

2) On the occasion, be confirmed the common parts on the parts list.

3) Refer to "Common Parts List" for the other common parts (**RI05**, **DD4**, **DK4**).

NOTE ON SAFETY FOR FUSIBLE RESISTOR :

The suppliers and their type numbers of fusible resistors are as follows;

1. KOA Corporation

Part No. (MJI)	Type No. (KOA)	Description
NH05 xxx 140	RF25S xxx Ω J	($\pm 5\%$ 1/4W)
NH05 xxx 120	RF50S xxx Ω J	($\pm 5\%$ 1/2W)
NH85 xxx 110	RF73B2A xxx Ω J	($\pm 5\%$ 1/10W)
NH95 xxx 140	RF73B2E xxx Ω J	($\pm 5\%$ 1/4W)

(Note: Brackets in the original image indicate that 'xxx' is the resistance value and '140', '120', '110', '140' are the power ratings.)

2. Matsushita Electronic Components Co., Ltd

Part No. (MJI)	Type No. (MEC)	Description
NF05 xxx 140	ERD-2FCJ xxx	($\pm 5\%$ 1/4W)
RF05 xxx 140		
NF02 xxx 140	ERD-2FCG xxx	($\pm 2\%$ 1/4W)
RF02 xxx 140		

(Note: Brackets in the original image indicate that 'xxx' is the resistance value and '140', '140', '140', '140' are the power ratings.)

Examples ;



* Resistance value

0.1 Ω 001 10 Ω 100 1 k Ω 102 100 k Ω 104
0.5 Ω 005 18 Ω 180 2.7 k Ω 272 680 k Ω 684
1 Ω 010 100 Ω 101 10 k Ω 103 1 M Ω 105
6.8 Ω 068 390 Ω 391 22 k Ω 223 4.7 M Ω 475


ABBREVIATION AND MARKS

ANT	: ANTENNA	BATT.	: BATTERY
CAP.	: CAPACITOR	CER.	: CERAMIC
CONN.	: CONNECTING	DIG.	: DIGITAL
HP	: HEADPHONE	MIC.	: MICROPHONE
μ -PRO	: MICROPROCESSOR	REC.	: RECORDING
RES.	: RESISTOR	SPK	: SPEAKER
SW	: SWITCH	TRANSF.	: TRANSFORMER
TRIM.	: TRIMMING	TRS.	: TRANSISTOR
VAR.	: VARIABLE	X'TAL	: CRYSTAL

NOTE ON SAFETY :

Symbol  Fire or electrical shock hazard. Only original parts should be used to replaced any part marked with symbol  . Any other component substitution (other than original type), may increase risk of fire or electrical shock hazard.

安全上の注意 :

 がついている部品は、安全上重要な部品です。必ず指定されている部品番号の部品を使用して下さい。

POS. NO	VERS. COLOR	PART NO. (FOR PCS)	DESCRIPTION	PART NO. (MJJ)	POS. NO	VERS. COLOR	PART NO. (FOR PCS)	DESCRIPTION	PART NO. (MJJ)
			PB04-BACK UP SUPPLY CIRCUIT BOARD						
			PB04-CAPACITORS						
CB01		4822 122 30043	CER. 0.01µF Z 50V	DK18103310	QB01		9965 000 09110	TRS. 2SA950 GR OR R	HT109501A0
CB02		4822 124 22276	ELECT. 47µF M 50V RA-2	OA47605020	QB02		9965 000 09110	TRS. 2SA950 GR OR R	HT109501A0
CB03		4822 124 90355	ELECT. 100µF M 50V RA-2	OA10705020	QB04		4822 130 60588	DIG.TRS.	BA20001000
CB04		4822 124 23068	ELECT. 220µF M 63V RA-2	OA22706320				DTC114ES UN4211 10K 10K	
CB05		4822 122 30043	CER. 0.01µF Z 50V	DK18103310	QB05		4822 130 60588	DIG.TRS.	BA20001000
CB06		4822 122 30043	CER. 0.01µF Z 50V	DK18103310				DTC114ES UN4211 10K 10K	
CB07		4822 124 41541	ELECT. 470µF M 35V RA-2	OA47703520	QB07		4822 209 83824	IC NJM7805FA +5V	HC38905090
CB08		4822 122 30043	CER. 0.01µF Z 50V	DK18103310	QB08		4822 209 15921	IC RESET S-806D-Z SEIKO	HC10077530
CB09		4822 122 30043	CER. 0.01µF Z 50V	DK18103310	▲ QB09		4822 209 83824	IC NJM7805FA +5V	HC38905090
CB10		4822 124 22722	ELECT. 1000µF 16V M RA-2	OA10801620	▲ QB10		4822 209 83824	IC NJM7805FA +5V	HC38905090
CB11		4822 122 40617	CER. 0.1µF +80%-20% 50V DC	DD38104010	▲ QB11		4822 209 83824	IC NJM7805FA +5V	HC38905090
CB12		5322 124 21731	ELECT. 10µF M 50V RA-2	OA10605020	▲ QB12		4822 209 30258	IC NJM7905FA	HC39905090
CB13		4822 122 40617	CER. 0.1µF +80%-20% 50V DC	DD38104010					
CB15									
CB19		4822 122 30043	CER. 0.01µF Z 50V	DK18103310					
CB20		4822 122 40617	CER. 0.1µF +80%-20% 50V DC	DD38104010					
CB21		4822 122 40617	CER. 0.1µF +80%-20% 50V DC	DD38104010					
CB22									
CB25		4822 122 30043	CER. 0.01µF Z 50V	DK18103310					
CB26									
CB27		4822 124 12328	ELECT. 6800µF 16V RA2	OA68801620	CF01	/F	4822 124 90362	ELECT. 22µF M 50V RA-2	OA22605020
CB28		4822 124 12328	ELECT. 6800µF 16V RA2	OA68801620	CF01	/L,/N,/S	4822 124 80578	ELECT. 22µF 25V ARA	OA22602550
CB29		4822 124 22277	ELECT. 470µF 16V M RA-2	OA47701620	CF02		4822 124 90362	ELECT. 22µF 50V	OA22605020
CB30		4822 124 22277	ELECT. 470µF 16V M RA-2	OA47701620	CF03		4822 122 40617	CER. 0.1µF 50V	DD38104010
CB33					CF04		4822 122 40617	CER. 0.1µF 50V	DD38104010
CB34					CF05		4822 124 22698	ELECT. 47µF M 25V RA-2	OA47602520
CB37		4822 124 90353	ELECT. 100µF M 10V RA-2	OA10701020	CF06		4822 124 22698	ELECT. 47µF M 25V RA-2	OA47602520
CB38					CF07	/F	4822 124 90362	ELECT. 22µF M 50V RA-2	OA22605020
CB41		4822 122 40617	CER. 0.1µF +80%-20% 50V DC	DD38104010	CF07	/L	4822 124 80578	ELECT. 22µF 25V ARA	OA22602550
CB42					CF07	/N	4822 124 80578	ELECT. 22µF 25V ARA	OA22602550
CB43		4822 122 30043	CER. 0.01µF Z 50V	DK18103310	CF07	/S	4822 124 80578	ELECT. 22µF 25V ARA	OA22602550
CB44		4822 124 90353	ELECT. 100µF M 10V RA-2	OA10701020	CF08		4822 124 90362	ELECT. 22µF 50V	OA22605020
CB45		4822 124 41537	ELECT. 220µF M 6.3V RA-2	OA22700620	CF09		9965 000 01344	FILM 100pF J 100V	OF15101540
					CF10		4822 121 10792	FILM 220pF J 100V	OF15221540
					CF11		4822 124 90362	ELECT. 22µF 50V	OA22605020
RB03		4822 053 10561	560Ω ±5% 1W	GA05561010	CF12		4822 124 90362	ELECT. 22µF 50V	OA22605020
RB04		4822 117 10158	1Ω ±5% 1/4W	GG05010140	CF13		4822 123 30086	MICA 47pF J 500V	DF35470520
RB05		4822 117 10158	1Ω ±5% 1/4W	GG05010140	CF14		4822 123 30086	MICA 47pF J 500V	DF35470520
RB99		4822 116 83963	2.2Ω ±5% 1/4W	GG05022140	CF15	/F	4822 124 90362	ELECT. 22µF M 50V RA-2	OA22605020
					CF15	/L,/N,/S	4822 124 80578	ELECT. 22µF 25V ARA	OA22602550
					CF16		4822 124 90362	ELECT. 22µF 50V	OA22605020
					CF17		9965 000 05891	FILM 470pF J 100V	OF15471540
					CF18		9965 000 05891	FILM 470pF J 100V	OF15471540
					CF19		4822 121 10792	FILM 220pF J 100V	OF15221540
					CF20		4822 121 10792	FILM 220pF J 100V	OF15221540
					CF21		4822 124 41535	ELECT. 100µF 25V	OA10702520
					CF22		4822 124 41535	ELECT. 100µF 25V	OA10702520
					CF23		4822 122 40586	CER. 10000pF	DA17103110
					CF24		4822 122 40586	CER. 10000pF	DA17103110
					CF29		4822 122 40617	CER. 0.1µF 50V	DD38104010
					CF51	/F,/L	9965 000 01344	FILM 100pF J 100V APSV	OF15101540
					CF51	/N,/S	9965 000 05891	FILM 470pF 100V PP	OF15471540
					CF52	/F,/L	9965 000 01344	FILM 100pF J 100V APSV	OF15101540
					CF52	/N,/S	9965 000 05891	FILM 470pF 100V PP	OF15471540
					CF53	/F,/L	9965 000 01344	FILM 100pF J 100V APSV	OF15101540
					CF53	/N,/S	9965 000 05891	FILM 470pF 100V PP	OF15471540
					CF54	/F,/L	9965 000 01344	FILM 100pF J 100V APSV	OF15101540
					CF54	/N,/S	9965 000 05891	FILM 470pF 100V PP	OF15471540
					CF55	/F,/L	9965 000 01344	FILM 100pF J 100V APSV	OF15101540
					CF55	/N,/S	9965 000 05891	FILM 470pF 100V PP	OF15471540
					CF56	/F,/L	9965 000 01344	FILM 100pF J 100V APSV	OF15101540
					CF56	/N,/S	9965 000 05891	FILM 470pF 100V PP	OF15471540
					CF57		4822 122 40617	CER. 0.1µF +80%-20% 50V DC	DD38104010
					CF58		4822 122 40617	CER. 0.1µF 50V	DD38104010
					CF59		4822 122 40617	CER. 0.1µF 50V	DD38104010
▲ DB01		4822 130 82421	DIODE 1D3 1A 200V	HD20002710	CF60		4822 122 40617	CER. 0.1µF +80%-20% 50V DC	DD38104010
DB02		4822 130 80318	ZENER DIODE 6.8V	HD30681000	CF61		4822 121 10792	FILM 220pF J 100V	OF15221540
DB03					CF62		4822 121 10792	FILM 220pF J 100V	OF15221540
DB11		4822 130 82421	DIODE 1D3 1A 200V	HD20002710					
DB14		4822 130 82421	DIODE 1D3 1A 200V	HD20002710					
DB15		4822 130 82421	DIODE 1D3 1A 200V	HD20002710					
DB16		4822 130 83067	DIODE D3SB20 3A 200V	HE20020290					
DB19		4822 130 82421	DIODE 1D3 1A 200V	HD20002710					
DB20		4822 130 82421	DIODE 1D3 1A 200V	HD20002710					
DB21		4822 130 82421	DIODE 1D3 1A 200V	HD20002710					
▲ DB22		4822 116 82805	RES. 1Ω ±5% 1/6W	GG05010160					
DB25		4822 130 82421	DIODE 1D3 1A 200V	HD20002710					
▲ DB26		4822 116 82805	RES. 1Ω ±5% 1/6W	GG05010160					

NOTE : "nsp" PART IS LISTED FOR REFERENCE ONLY, MARANTZ WILL NOT SUPPLY THESE PARTS.

POS. NO	VERS. COLOR	PART NO. (FOR PCS)	DESCRIPTION	PART NO. (MJ)	POS. NO	VERS. COLOR	PART NO. (FOR PCS)	DESCRIPTION	PART NO. (MJ)
CF63		9965 000 01344	FILM 100pF J 100V	OF15101540	CQ59		9965 000 01344	FILM 100pF J 100V	OF15101540
CF64		9965 000 01344	FILM 100pF J 100V	OF15101540	CQ60		9965 000 01344	FILM 100pF J 100V	OF15101540
CF65		4822 124 40617	CER. 0.1µF 50V	DD38104010	CQ61		4822 124 90362	ELECT. 22µF 50V	OA22605020
CF67		9965 000 01344	FILM 100pF J 100V	OF15101540	CQ62		4822 124 90362	ELECT. 22µF 50V	OA22605020
CF68		9965 000 01344	FILM 100pF J 100V	OF15101540	CQ63		4822 123 30086	MICA 47pF J 500V	DF35470520
CF75		9965 000 01569	CER. 0.01µF 50V	DD38103010	CQ64		4822 123 30086	MICA 47pF J 500V	DF35470520
CF76		9965 000 01569	CER. 0.01µF 50V	DD38103010	CQ65		4822 124 90362	ELECT. 22µF 50V	OA22605020
CF77		9965 000 01569	CER. 0.01µF 50V	DD38103010	CQ66		4822 124 90362	ELECT. 22µF 50V	OA22605020
CF78		9965 000 01569	CER. 0.01µF 50V	DD38103010	CQ67		9965 000 05891	FILM 470pF J 100V	OF15471540
CF79		4822 124 90354	ELECT. 100µF 16V	OA10701620	CQ68		9965 000 05891	FILM 470pF J 100V	OF15471540
					CQ69		4822 121 10792	FILM 220pF J 100V	OF15221540
CF80		4822 124 90354	ELECT. 100µF 16V	OA10701620	CQ70		4822 121 10792	FILM 220pF J 100V	OF15221540
CF81	/F	4822 124 90362	ELECT. 22µF M 50V RA-2	OA22605020	CQ71		4822 124 41535	ELECT. 100µF 25V	OA10702520
CF81	/L,N,S	4822 124 80578	ELECT. 22µF 25V ARA	OA22602550	CQ72		4822 124 41535	ELECT. 100µF 25V	OA10702520
CF82	/F	4822 124 90362	ELECT. 22µF M 50V RA-2	OA22605020	CQ73		4822 122 40586	CER. 10000pF	DA17103110
CF82	/L,N,S	4822 124 80578	ELECT. 22µF 25V ARA	OA22602550	CQ74		4822 122 40586	CER. 10000pF	DA17103110
CF83	/F	4822 124 90362	ELECT. 22µF M 50V RA-2	OA22605020	CQ79		4822 122 40617	CER. 0.1µF 50V	DD38104010
CF83	/L,N,S	4822 124 80578	ELECT. 22µF 25V ARA	OA22602550					
CF84	/F	4822 124 90362	ELECT. 22µF M 50V RA-2	OA22605020					
CF84	/L,N,S	4822 124 80578	ELECT. 22µF 25V ARA	OA22602550					
CF85	/F	4822 124 90362	ELECT. 22µF M 50V RA-2	OA22605020					
CF85	/L,N,S	4822 124 80578	ELECT. 22µF 25V ARA	OA22602550					
CF86	/F	4822 124 90362	ELECT. 22µF M 50V RA-2	OA22605020					
CF86	/L,N,S	4822 124 80578	ELECT. 22µF 25V ARA	OA22602550					
CF87		4822 122 40617	CER. 0.1µF +80%-20% 50V DC	DD38104010	RF47		4822 052 10109	10Ω 1/6W	GG05100160
CF88		4822 122 40617	CER. 0.1µF +80%-20% 50V DC	DD38104010	RF48		4822 052 10109	10Ω 1/6W	GG05100160
CF90		4822 122 40617	CER. 0.1µF +80%-20% 50V DC	DD38104010	RQ47		4822 052 10109	10Ω 1/6W	GG05100160
CF91		4822 122 40617	CER. 0.1µF +80%-20% 50V DC	DD38104010	RQ50		4822 052 10109	10Ω 1/6W	GG05100160
CF92		4822 122 40617	CER. 0.1µF +80%-20% 50V DC	DD38104010	RQ97		4822 052 10109	10Ω 1/6W	GG05100160
					RQ98		4822 052 10109	10Ω 1/6W	GG05100160
CQ01	/F	4822 124 90362	ELECT. 22µF M 50V RA-2	OA22605020					
CQ01	/L,N,S	4822 124 80578	ELECT. 22µF 25V ARA	OA22602550					
CQ02	/F	4822 124 90362	ELECT. 22µF M 50V RA-2	OA22605020					
CQ02	/L,N,S	4822 124 80578	ELECT. 22µF 25V ARA	OA22602550					
CQ03		4822 122 40617	CER. 0.1µF 50V	DD38104010					
CQ04		4822 122 40617	CER. 0.1µF 50V	DD38104010					
CQ05		4822 124 22698	ELECT. 47µF M 25V RA-2	OA47602520					
CQ06		4822 124 22698	ELECT. 47µF M 25V RA-2	OA47602520					
CQ07	/F	4822 124 90362	ELECT. 22µF M 50V RA-2	OA22605020					
CQ07	/L,N,S	4822 124 80578	ELECT. 22µF 25V ARA	OA22602550	DQ07		4822 130 32362	DIODE	HD20002000
CQ08	/F	4822 124 90362	ELECT. 22µF M 50V RA-2	OA22605020	DQ57		4822 130 32362	DIODE	HD20002000
CQ08	/L,N,S	4822 124 80578	ELECT. 22µF 25V ARA	OA22602550					
CQ09		9965 000 01344	FILM 100pF J 100V	OF15101540	QF01		9965 000 01359	IC TC9459N ELE.VOLUME	HC10443050
CQ10		9965 000 01344	FILM 100pF J 100V	OF15101540	QF02		4822 209 73064	IC NJM-2068-DD	HC10053090
CQ11		4822 124 90362	ELECT. 22µF 50V	OA22605020	QF07		5322 130 41844	F.E.T. 2SK170 V LANK	HF201701H0
CQ12		4822 124 90362	ELECT. 22µF M 50V RA-2	OA22605020	QF09		4822 130 62649	F.E.T. 2SJ74 V LANK	HF100741H0
CQ13		4822 123 30086	MICA 47pF J 500V	DF35470520	QF19		4822 130 43818	TRS. 2SC2878 A OR B	HT328782A0
CQ14		4822 123 30086	MICA 47pF J 500V	DF35470520	QF20		4822 130 43818	TRS. 2SC2878 A OR B	HT328782A0
CQ15	/F	4822 124 90362	ELECT. 22µF M 50V RA-2	OA22605020	QF51		4822 209 32552	IC LC78211	HC10308030
CQ15	/L,N,S	4822 124 80578	ELECT. 22µF 25V ARA	OA22602550	QF58		4822 209 73064	IC NJM-2068-DD	HC10053090
CQ16	/F	4822 124 90362	ELECT. 22µF M 50V RA-2	OA22605020	QF59		4822 209 73064	IC NJM-2068-DD	HC10053090
CQ16	/L,N,S	4822 124 80578	ELECT. 22µF 25V ARA	OA22602550	QF60		4822 209 73064	IC NJM-2068-DD	HC10053090
CQ17		9965 000 05891	FILM 470pF J 100V	OF15471540					
CQ18		9965 000 05891	FILM 470pF J 100V	OF15471540	QQ01		9965 000 01359	IC TC9459N ELE.VOLUME	HC10443050
CQ19		4822 121 10792	FILM 220pF J 100V	OF15221540	QQ02		4822 209 73064	IC NJM-2068-DD	HC10053090
					QQ19		4822 130 43818	TRS. 2SC2878 A OR B	HT328782A0
CQ20		4822 121 10792	FILM 220pF J 100V	OF15221540	QQ20		4822 130 43818	TRS. 2SC2878 A OR B	HT328782A0
CQ21		4822 124 41535	ELECT. 100µF 25V	OA10702520	QQ51		9965 000 01359	IC TC9459N ELE.VOLUME	HC10443050
CQ22		4822 124 41535	ELECT. 100µF 25V	OA10702520	QQ52		4822 209 73064	IC NJM-2068-DD	HC10053090
CQ23		4822 122 40586	CER. 10000pF	DA17103110	QQ69		4822 130 43818	TRS. 2SC2878 A OR B	HT328782A0
CQ24		4822 122 40586	CER. 10000pF	DA17103110	QQ70		4822 130 43818	TRS. 2SC2878 A OR B	HT328782A0
CQ29		4822 122 40617	CER. 0.1µF 50V	DD38104010					
CQ51		4822 124 90362	ELECT. 22µF 50V	OA22605020					
CQ52		4822 124 90362	ELECT. 22µF 50V	OA22605020	JF51		9965 000 09131	TERMINAL YKC21-3439	YT02060510
CQ53		4822 122 40617	CER. 0.1µF 50V	DD38104010	JF55		4822 290 61242	TERMINAL 14X14 RA 2L2P B	YT02021360
CQ54		4822 122 40617	CER. 0.1µF 50V	DD38104010	JF56		9965 000 09132	TERMINAL PREOUT FRONT C	YT02041120
CQ55		4822 124 22698	ELECT. 47µF M 25V RA-2	OA47602520					
CQ56		4822 124 22698	ELECT. 47µF M 25V RA-2	OA47602520	JF57		9965 000 09132	TERMINAL PREOUT	YT02041120
CQ57		4822 124 90362	ELECT. 22µF 50V	OA22605020					
CQ58		4822 124 90362	ELECT. 22µF 50V	OA22605020	LF01		9965 000 01576	SURROUND BACK RELAY MR82-24USR	LY20240480

NOTE : "nsp" PART IS LISTED FOR REFERENCE ONLY, MARANTZ WILL NOT SUPPLY THESE PARTS.

POS. NO	VERS. COLOR	PART NO. (FOR PCS)	DESCRIPTION	PART NO. (MJI)	POS. NO	VERS. COLOR	PART NO. (FOR PCS)	DESCRIPTION	PART NO. (MJI)
LF02		4822 242 73843	EMI FILTER 0.022uF	FM12223010	***			PG04-CAPACITORS (COMMON) HIGH DIELECTRIC CONSTANT CER. CAPACITOR ±10% 50V : CG33-CG35	
LF03		4822 242 73843	EMI FILTER 0.022uF	FM12223010					
LQ01		9965 000 01576	RELAY MR82-24USR	LY20240480					
LQ51		9965 000 01576	RELAY MR82-24USR	LY20240480					
PG04-FRONT ELE.VOL CIRCUIT BOARD PG04-CAPACITORS					***				
CG01	/F	9965 000 02015	ELECT. 22µF M 25V ARS	OA22602540	RG01		9965 000 09003	CHIP 560kΩ 1/16W	NN05564610
CG01	/L,/N,/S	4822 124 80578	ELECT. 22µF 25V ARA	OA22602550					
CG02	/F	9965 000 02015	ELECT. 22µF M 25V ARS	OA22602540					
CG02	/L,/N,/S	4822 124 80578	ELECT. 22µF 25V ARA	OA22602550					
CG03		4822 126 11687	CER. CHIP 0.1uF	DK98104200	RG04		4822 117 13632	CHIP 100kΩ ±5% 1/16W	NN05104610
CG04		4822 126 11687	CER. CHIP 0.1uF	DK98104200	RG05		4822 051 30471	CHIP 470Ω 1/16W	NN05471610
CG05		4822 124 41535	ELECT. 100µF 25V	OA10702520	RG06		4822 051 30471	CHIP 470Ω 1/16W	NN05471610
CG06		4822 124 41535	ELECT. 100µF 25V	OA10702520	RG07		4822 051 30391	CHIP 390Ω 1/16W	NN05391610
CG07		4822 124 90362	ELECT. 22µF 50V	OA22605020					
CG08		4822 124 90362	ELECT. 22µF 50V	OA22605020	RG10		4822 051 30153	CHIP 15kΩ 1/16W	NN05153610
CG09		9965 000 01344	FILM 100pF J 100V APSV	OF15101540					
CG10		9965 000 01344	FILM 100pF J 100V APSV	OF15101540	RG11		4822 051 30331	CHIP 330Ω 1/16W	NN05331610
CG11		9965 000 01561	MICA 10pF 250V FE	DF31100520					
CG12		9965 000 01561	MICA 10pF 250V FE	DF31100520	RG19		4822 051 30331	CHIP 330Ω 1/16W	NN05331610
CG13		9965 000 01344	FILM 100pF J 100V	OF15101540					
CG14		9965 000 01344	FILM 100pF J 100V	OF15101540	RG20		4822 051 30479	CHIP 47Ω 1/16W	NN05470610
CG15	/F	9965 000 02015	ELECT. 22µF M 25V ARS	OA22602540					
CG15	/L,/N,/S	4822 124 80578	ELECT. 22µF 25V ARA	OA22602550	RG22		4822 051 30479	CHIP 47Ω 1/16W	NN05470610
CG16	/F	9965 000 02015	ELECT. 22µF M 25V ARS	OA22602540					
CG16	/L,/N,/S	4822 124 80578	ELECT. 22µF 25V ARA	OA22602550	RG24		4822 051 30331	CHIP 330Ω 1/16W	NN05331610
CG17		4822 121 10792	FILM 220pF J 100V	OF15221540					
CG18		4822 121 10792	FILM 220pF J 100V	OF15221540	RG28		4822 117 12968	CHIP 820Ω 1/16W	NN05821610
CG19		4822 121 10792	FILM 220pF J 100V	OF15221540					
CG20		4822 121 10792	FILM 220pF J 100V	OF15221540	RG30		4822 051 30331	CHIP 330Ω 1/16W	NN05331610
CG21		4822 124 41535	ELECT. 100µF 25V	OA10702520					
CG22		4822 124 41535	ELECT. 100µF 25V	OA10702520	RG32		4822 117 12891	CHIP 220kΩ 1/16W	NN05224610
CG23		4822 122 40617	CER. 0.1µF 50V	DD38104010					
CG24		4822 122 40617	CER. 0.1µF 50V	DD38104010	RG33		4822 051 30479	CHIP 47Ω 1/16W	NN05470610
CG25		4822 124 41535	ELECT. 100µF 25V	OA10702520					
CG26		4822 124 41535	ELECT. 100µF 25V	OA10702520	RG37		4822 116 83211	CHIP 1.8kΩ 1/16W	NN05182610
CG27		4822 122 40617	CER. 0.1µF 50V	DD38104010					
CG28		4822 122 40617	CER. 0.1µF 50V	DD38104010	RG40		4822 117 13632	CHIP 100kΩ ±5% 1/16W	NN05104610
CG29		4822 126 11687	CER. CHIP 0.1uF	DK98104200					
CG30		4822 126 11687	CER. CHIP 0.1uF	DK98104200	RG41		4822 052 10109	10Ω ±5% 1/6W	GG05100160
CG31		4822 121 10792	FILM 220pF J 100V	OF15221540					
CG32		4822 121 10792	FILM 220pF J 100V	OF15221540	RG44		4822 052 10109	10Ω ±5% 1/6W	GG05100160
CG33		4822 126 11703	CER. CHIP 0.01uF	DK98103300					
CG36		4822 126 11703	CER. CHIP 0.01uF	DK98103300	RG46		4822 051 30101	CHIP 100Ω 1/16W	NN05101610
CG37		4822 126 11703	CER. CHIP 0.01uF	DK98103300					
CG38		4822 126 11703	CER. CHIP 0.01uF	DK98103300	RG47		4822 051 30101	CHIP 100Ω 1/16W	NN05101610
CG39		4822 126 11703	CER. CHIP 0.01uF	DK98103300					
CG40		4822 124 90354	ELECT. 100µF 16V	OA10701620	RG48		4822 051 30101	CHIP 100Ω 1/16W	NN05101610
CG41		4822 124 90354	ELECT. 100µF 16V	OA10701620					
CW01		4822 124 90362	ELECT. 22µF 50V	OA22605020	RG49		4822 116 83829	CHIP 270Ω 1/16W	NN05271610
CW02		4822 124 90362	ELECT. 22µF 50V	OA22605020					
CW03		4822 126 13883	CER. CHIP 220pF 50V	DD95221300	RG50		4822 051 30479	CHIP 47Ω 1/16W	NN05470610
CW04		4822 126 13883	CER. CHIP 220pF 50V	DD95221300					
CW05		4822 124 90362	ELECT. 22µF 50V	OA22605020	RG51		4822 051 30101	CHIP 100Ω 1/16W	NN05101610
CW06		4822 124 90362	ELECT. 22µF 50V	OA22605020					
CW07		4822 122 33761	CER. CHIP 22pF 50V	DD95220300	RG52		4822 051 30101	CHIP 100Ω 1/16W	NN05101610
CW08		4822 122 33761	CER. CHIP 22pF 50V	DD95220300					
CW11		4822 124 41535	ELECT. 100µF 25V	OA10702520	RG53		4822 051 30472	CHIP 4.7kΩ 1/16W	NN05472610
CW12		4822 124 41535	ELECT. 100µF 25V	OA10702520					
CW15		4822 124 41535	ELECT. 100µF 25V	OA10702520	RG55		4822 051 30103	CHIP 10kΩ 1/16W	NN05103610
CW16		4822 124 41535	ELECT. 100µF 25V	OA10702520					
CW17		4822 126 11687	CER. CHIP 0.1uF	DK98104200	RG56		4822 051 30101	CHIP 100Ω 1/16W	NN05101610
CW18		4822 126 11687	CER. CHIP 0.1uF	DK98104200					
CW19		4822 126 11687	CER. CHIP 0.1uF	DK98104200	RG57		4822 051 30101	CHIP 100Ω 1/16W	NN05101610

NOTE : *nsp* PART IS LISTED FOR REFERENCE ONLY, MARANTZ WILL NOT SUPPLY THESE PARTS.

POS. NO	VERS. COLOR	PART NO. (FOR PCS)	DESCRIPTION	PART NO. (MJ)	POS. NO	VERS. COLOR	PART NO. (FOR PCS)	DESCRIPTION	PART NO. (MJ)
RG70								PG04-MISCELLANEOUS	
RG74		4822 051 30479	CHIP 47Ω 1/16W	NN05470610	LG01		9965 000 01576	RELAY MR82-24USR	LY20240480
RG75		4822 051 30152	CHIP 1.5kΩ 1/16W	NN05152610	LG02		9965 000 01576	RELAY MR82-24USR	LY20240480
RG76		4822 051 30152	CHIP 1.5kΩ 1/16W	NN05152610	LG03		4822 242 73843	EMI FILTER 0.022uF	FM12223010
RG77		4822 117 11817	CHIP 1.2kΩ 1/16W	NN05122610	LG04		4822 242 73843	EMI FILTER 0.022uF	FM12223010
RG78		4822 117 11817	CHIP 1.2kΩ 1/16W	NN05122610	LW01		9965 000 01576	RELAY MR82-24USR	LY20240480
RG79		4822 051 30152	CHIP 1.5kΩ 1/16W	NN05152610				PL04-VIDEO CIRCUIT BOARD	
RG80		4822 051 30152	CHIP 1.5kΩ 1/16W	NN05152610				PL04-CAPACITORS	
RG81		4822 117 11817	CHIP 1.2kΩ 1/16W	NN05122610	CL01				
RG82		4822 117 11817	CHIP 1.2kΩ 1/16W	NN05122610	CL05		5322 124 21731	ELECT. 10μF M 50V RA-2	OA10605020
RG83					CL07		4822 122 31205	CER. 47pF J CH 50	DD15470300
RG86		4822 116 83829	CHIP 270Ω 1/16W	NN05271610	CL08		4822 122 31205	CER. 47pF J CH 50	DD15470300
RW01		4822 051 30471	CHIP 470Ω 1/16W	NN05471610	CL09				
RW02		4822 051 30471	CHIP 470Ω 1/16W	NN05471610	CL12		5322 124 21731	ELECT. 10μF 50V	OA10605020
RW03		4822 051 30223	CHIP 22kΩ ±5% 1/16W	NN05223610	CL13			JUMPER	75060501P0
RW04		4822 051 30223	CHIP 22kΩ ±5% 1/16W	NN05223610	CL14		5322 124 21731	ELECT. 10μF 50V	OA10605020
RW05					CL15			JUMPER	75060501P0
RW09		4822 051 30103	CHIP 10kΩ 1/16W	NN05103610	CL16		9965 000 01040	ELECT. 470μF 6.3V	OA47700620
RW11		4822 051 30103	CHIP 10kΩ 1/16W	NN05103610	CL17		9965 000 01318	ELECT. 220μF M 10V RA-2	OA22701020
RW12		4822 051 30103	CHIP 10kΩ 1/16W	NN05103610	CL18		4822 122 40617	CER. 0.1μF 50V	DD38104010
RW14		4822 051 30103	CHIP 10kΩ 1/16W	NN05103610	CL19		4822 122 31205	CER. 47pF J CH 50	DD15470300
RW15					CL20		4822 122 40617	CER. 0.1μF 50V	DD38104010
RW18		4822 052 10109	10Ω 1/6W	GG05100160	CL21		9965 000 01318	ELECT. 220μF M 10V RA-2	OA22701020
RW19		4822 053 10109	10Ω ±5% 1W	GA05100010	CL22		4822 122 40617	CER. 0.1μF 50V	DD38104010
RW20		4822 053 10109	10Ω ±5% 1W	GA05100010	CL23		4822 124 90353	ELECT. 100μF 10V	OA10701020
RW21					CL25		4822 124 40763	ELECT. 2.2μF 50V	OA22505020
RW28		4822 052 10109	10Ω 1/6W	GG05100160	CL26		4822 124 41543	ELECT. 1μF 50V	OA10505020
DG01			PG04-RESISTORS		CL27		5322 122 32143	CER. 22pF J CH 50	DD15220300
DG08		4822 130 81324	CHIP DIODE 1SS302	HZ20018050	CL28		4822 126 11591	CER. 22pF J CH 50	DD15240300
DW01		4822 130 81324	CHIP DIODE 1SS302	HZ20018050	CL29		5322 122 32143	CER. 22pF J CH 50	DD15220300
DW02		4822 130 81324	CHIP DIODE 1SS302	HZ20018050	CL30		5322 122 32143	CER. 22pF J CH 50	DD15220300
DW05		4822 130 81324	CHIP DIODE 1SS302	HZ20018050	CL31		5322 124 21731	ELECT. 10μF 50V	OA10605020
QG01		9965 000 01373	IC TC9459FELE-VOL UMEN	HC10449050	CL33		4822 124 41543	ELECT. 1μF 50V	OA10505020
QG02		4822 209 17155	IC NJM2068M	HC10102090	CL34		4822 122 40617	CER. 0.1μF 50V	DD38104010
QG03		4822 130 60107	TRS. 2SA1048 Y OR R	HT110482B0	CL35		4822 124 90353	ELECT. 100μF 10V	OA10701020
QG04		4822 130 60107	TRS. 2SA1048 Y OR R	HT110482B0	CL36		4822 124 41543	ELECT. 1μF 50V	OA10505020
QG05		4822 130 60839	TRS. 2SC2458 Y OR R	HT324582B0	CL37		5322 124 21731	ELECT. 10μF M 50V RA-2	OA10605020
QG06		4822 130 60839	TRS. 2SC2458 Y OR R	HT324582B0	CL38		4822 124 90352	ELECT. 10μF 16V	OA10601620
QG07		4822 130 60839	TRS. 2SC2458 Y OR R	HT324582B0	CL39		4822 124 90352	ELECT. 10μF 16V	OA10601620
QG08		4822 130 60839	TRS. 2SC2458 Y OR R	HT324582B0	CL40				
QG09		4822 130 60107	TRS. 2SA1048 Y OR R	HT110482B0	CL43		9965 000 01569	CER. 0.01μF 50V	DD38103010
QG10		4822 130 60107	TRS. 2SA1048 Y OR R	HT110482B0	CL44				
QG11		4822 130 60107	TRS. 2SA1048 Y OR R	HT110482B0	CL45		4822 122 40617	CER. 0.1μF 50V	DD38104010
QG12		4822 130 60107	TRS. 2SA1048 Y OR R	HT110482B0	CL46	/L,/N,/S	5322 122 32143	CER. 22pF J CH 50V BLK	DD15220300
QG13		4822 130 60839	TRS. 2SC2458 Y OR R	HT324582B0	CL47	/L,/N,/S	5322 122 32143	CER. 22pF J CH 50V BLK	DD15220300
QG14		4822 130 60839	TRS. 2SC2458 Y OR R	HT324582B0	CX80	/N,/S	5322 122 32143	CER. 22pF J CH 50V BLK	DD15220300
QG15		4822 130 43233	TRS. 2SC2240	HT322402A0	CX87	/N,/S	5322 122 32143	CER. 22pF J CH 50V BLK	DD15220300
QG16		4822 130 43233	TRS. 2SC2240	HT322402A0				PL04-CAPACITORS (COMMON)	
QG17		4822 130 42949	TRS. 2SA970	HT109702A0				HIGH DIELECTRIC CONSTANT	
QG18		4822 130 42949	TRS. 2SA970	HT109702A0				CER. CAPACITOR ±10% 50V :	
QG19		4822 130 43818	TRS. 2SC2878 A OR B	HT328782A0				CL32 CL44	
QG20		4822 130 43818	TRS. 2SC2878 A OR B	HT328782A0	RL05		4822 111 41355	PL04-RESISTORS	
QG21		4822 130 42292	TRS. 2SC2120	HT321201A0	RL07		4822 111 41355	75Ω J 1/6W	GD05750160
QW01		4822 209 17155	IC NJM2068M	HC10102090	RL08		4822 111 41355	75Ω J 1/6W	GD05750160
QW03		4822 130 43233	TRS. 2SC2240	HT322402A0	RL09			75Ω J 1/6W	GD05750160
QW04		4822 130 43233	TRS. 2SC2240	HT322402A0	RL13		4822 122 40586	CER. 10000pF	DA17103110
QW05		4822 130 42949	TRS. 2SA970	HT109702A0	RL28			JUMPER	75060501P0
QW06		4822 130 42949	TRS. 2SA970	HT109702A0	RL33	/F		JUMPER	75060501P0

NOTE : "nsp" PART IS LISTED FOR REFERENCE ONLY, MARANTZ WILL NOT SUPPLY THESE PARTS.

POS. NO	VERS. COLOR	PART NO. (FOR PCS)	DESCRIPTION	PART NO. (MJI)	POS. NO	VERS. COLOR	PART NO. (FOR PCS)	DESCRIPTION	PART NO. (MJI)
R***			PL04-RESISTORS (COMMON) CARBON FILM FIXED RES. ±5% 1/6W : RL01-RL04 RL06 RL14-RL21 RL23-RL27 RL29 RL30-RL32 RL36-RL41		CX38		4822 124 90353	ELECT. 100µF 10V	OA10701020
					CX39		4822 122 40617	CER. 0.1µF 50V	DD38104010
DL01		4822 130 32362	PL04-SEMICONDUCTORS DIODE	HD20002000	CX41		5322 122 32143	CER. 22pF J CH 50	DD15220300
QL01		9965 000 09133	IC NJM2296 DVIDEO SW	HC10217090	CX42		4822 126 11591	CER. 24pF J CH 50	DD15240300
QL02		4822 130 41947	TRS. 2SC536SP ETC	HT30001000	CX43		5322 122 32143	CER. 22pF J CH 50	DD15220300
QL03		4822 130 41947	TRS. 2SC536SP ETC	HT30001000	CX44		5322 122 32143	CER. 22pF J CH 50	DD15220300
QL04		4822 209 15524	IC OSD IC LC74781	HC10377030	CX45			CER. 1200pF	DK16122300
QL05					CX46		4822 124 41543	ELECT. 1µF 50V	OA10505020
QL07	/L,N,S	4822 130 61227	DIG.TRS DTA114ES UN4111 10K 10K	BA10001000	CX47		4822 124 41543	ELECT. 1µF 50V	OA10505020
QL08		4822 130 41947	TRS. 2SC536SP ETC	HT30001000	CX48		4822 122 40617	CER. 0.1µF 50V	DD38104010
QL09		5322 209 11532	IC 74HC4094 16PIN DIP	HC709449B0	CX49		4822 124 90353	ELECT. 100µF 10V	OA10701020
JL01		9965 000 07100	PL04-MISCELLANEOUS TERMINAL 14X14 RCA 1L3P Y	YT02030600	CX50		5322 124 21731	ELECT. 10µF M 50V RA-2	OA10605020
JL02		9965 000 07100	TERMINAL 14X14 RCA 1L3P Y	YT02030600	CX51		5322 124 21731	ELECT. 10µF 50V	OA10605020
JL03		4822 265 11619	TERMINAL 14X14 RCA 1L2P Y	YT02021630	CX52		4822 122 40617	CER. 0.1µF 50V	DD38104010
LL01		4822 157 62922	CHOKO COIL 33µH J	LC13333800	CX53				
LL02		4822 242 73843	EMI FILTER 0.022µF	FM12223010	}		4822 122 30043	CER. 0.01µF Z 50V	DK18103310
LL03		4822 242 73843	EMI FILTER 0.022µF	FM12223010	CX56				
XL01		4822 242 80288	CRYSTAL .31818MHz	JX14001260	CX57		4822 122 40617	CER. 0.1µF 50V	DD38104010
XL02	/L,N,S	4822 242 73903	CRYSTAL AT49 17.7MHz	JX17001260	CX58		4822 124 90353	ELECT. 100µF 10V	OA10701020
					CX59		4822 122 30043	CER. 0.01µF Z 50V	DK18103310
CX01		4822 124 11947	PL54-S-VIDEO CIRCUIT BOARD PL54-CAPACITORS ELECT. 10µF 16V	EQ10601630	CX60				
CX02		5322 124 21731	ELECT. 10µF 50V	OA10605020	}		4822 122 31205	CER. 47pF J CH 50V BLK	DD15470300
CX03		4822 124 11947	ELECT. 10µF 16V	EQ10601630	CX63				
CX04		5322 124 21731	ELECT. 10µF 50V	OA10605020	CX64				
CX05		4822 124 11947	ELECT. 10µF 16V	EQ10601630	}		4822 122 40586	CER. 10000pF	DA17103110
CX06		5322 124 21731	ELECT. 10µF 50V	OA10605020	CX69				
CX07		4822 124 11947	ELECT. 10µF 16V	EQ10601630	CX70				
CX08		5322 124 21731	ELECT. 10µF 50V	OA10605020	}		5322 124 21731	ELECT. 10µF 50V	OA10605020
CX09		4822 124 41796	ELECT. 22µF 16V	OA22601620	CX75				
CX10		9965 000 01040	ELECT. 470µF 6.3V	OA47700620	CX76		9965 000 01040	ELECT. 470µF 6.3V	OA47700620
CX11		4822 124 11947	ELECT. 10µF 16V	EQ10601630	CX77		9965 000 01040	ELECT. 470µF 6.3V	OA47700620
CX12		5322 124 21731	ELECT. 10µF 50V	OA10605020	CX78				
CX13		4822 124 41796	ELECT. 22µF 16V	OA22601620	CX80	/L	5322 122 32143	CER. 22pF J CH 50V BLK	DD15220300
CX14		9965 000 01040	ELECT. 470µF 6.3V	OA47700620	CX82		4822 122 40617	CER. 0.1µF 50V	DD38104010
CX15		4822 124 11947	ELECT. 10µF 16V	EQ10601630	CX83		4822 124 41537	ELECT. 220µF 6.3V	OA22700620
CX16		9965 000 01040	ELECT. 470µF 6.3V	OA47700620	CX84		4822 122 40617	CER. 0.1µF 50V	DD38104010
CX17		5322 124 21731	ELECT. 10µF M 50V RA-2	OA10605020	CX85		4822 122 40617	CER. 0.1µF 50V	DD38104010
CX18		5322 124 21731	ELECT. 10µF M 50V RA-2	OA10605020	CX86		4822 124 11947	ELECT. 10µF 16V	EQ10601630
CX19		5322 124 21731	ELECT. 10µF M 50V RA-2	OA10605020	CX87	/L	5322 122 32143	CER. 22pF J CH 50V BLK	DD15220300
CX20		5322 124 21731	ELECT. 10µF M 50V RA-2	OA10605020	CX88		4822 124 90352	ELECT. 10µF 16V	OA10601620
CX21		5322 124 21731	ELECT. 10µF M 50V RA-2	OA10605020	CX89		4822 124 90352	ELECT. 10µF 16V	OA10601620
CX22		9965 000 01318	ELECT. 220µF M 10V RA-2	OA22701020	CX90				
CX23		9965 000 01318	ELECT. 220µF M 10V RA-2	OA22701020	}		9965 000 01569	CER. 0.01µF 50V	DD38103010
CX24		9965 000 01318	ELECT. 220µF M 10V RA-2	OA22701020	CX93				
CX25		9965 000 01318	ELECT. 220µF M 10V RA-2	OA22701020	CX94		4822 122 40617	CER. 0.1µF 50V	DD38104010
CX26					CX95		4822 124 41537	ELECT. 220µF 6.3V	OA22700620
CX29		4822 122 40617	CER. 0.1µF 50V	DD38104010	CX96		4822 122 40586	CER. 10000pF	DA17103110
CX30		4822 122 31205	CER. 47pF J CH 50V BLK	DD15470300	CX97		4822 122 40586	CER. 10000pF	DA17103110
CX31		4822 122 31205	CER. 47pF J CH 50V BLK	DD15470300	CX98		4822 122 40586	CER. 10000pF	DA17103110
CX32		5322 124 21731	ELECT. 10µF 50V	OA10605020	RX09		4822 111 41355	PL54-RESISTORS 75Ω J 1/6W	GD05750160
CX33		4822 124 40763	ELECT. 2.2µF 50V	OA22505020	RX10		4822 111 41355	75Ω J 1/6W	GD05750160
CX34		4822 124 41543	ELECT. 1µF 50V	OA10505020	RX13				
CX35		4822 122 30043	CER. 0.01µF Z 50V	DK18103310	}		4822 111 41355	75Ω J 1/6W	GD05750160
CX36		4822 122 40617	CER. 0.1µF 50V	DD38104010	RX16				
CX37		4822 122 30043	CER. 0.01µF Z 50V	DK18103310	RX17				
					}		4822 122 40586	CER. 10000pF	DA17103110
					RX21				
					RX39			JUMPER	75060501P0
					RX41	/F		JUMPER	75060501P0
					RX70				
					}		4822 111 41355	75Ω J 1/6W	GD05750160
					RX75				
					RX77			JUMPER	75060501P0
					RX78			JUMPER	75060501P0
					RX82		4822 111 41355	75Ω J 1/6W	GD05750160

NOTE : *nsp* PART IS LISTED FOR REFERENCE ONLY, MARANTZ WILL NOT SUPPLY THESE PARTS.

POS. NO	VERS. COLOR	PART NO. (FOR PCS)	DESCRIPTION	PART NO. (MJ)	POS. NO	VERS. COLOR	PART NO. (FOR PCS)	DESCRIPTION	PART NO. (MJ)
RX83		4822 111 41355	75Ω J 1/6W	GD05750160	CS11	/F	4822 124 90362	ELECT. 22μF M 50V RA-2	OA22605020
RX84		4822 111 41355	75Ω J 1/6W	GD05750160	CS11	/L,/N,/S	4822 124 80578	ELECT. 22μF 25V ARA	OA22602550
****			PL54-RESISTORS (COMMON) CARBON FILM FIXED RES. ±5% 1/6W : RX01-RX08 RX11 RX12 RX22-RX38 RX40 RX42 RX43-RX45 RX47-RX62		CS12	/F	4822 124 90362	ELECT. 22μF M 50V RA-2	OA22605020
			PL54-SEMICONDUCTORS		CS12	/L,/N,/S	4822 124 80578	ELECT. 22μF 25V ARA	OA22602550
DX01		4822 130 32362	DIODE	HD20002000	CS13	/F	4822 124 90362	ELECT. 22μF M 50V RA-2	OA22605020
DX02		4822 130 32362	DIODE	HD20002000	CS13	/L,/N,/S	4822 124 80578	ELECT. 22μF 25V ARA	OA22602550
DX03		4822 130 32362	DIODE	HD20002000	CS14	/F	4822 124 90362	ELECT. 22μF M 50V RA-2	OA22605020
DX04		9965 000 01374	ZENER DIODE MTZ2.7B	HD30271000	CS14	/L,/N,/S	4822 124 80578	ELECT. 22μF 25V ARA	OA22602550
DX05		4822 130 32362	DIODE	HD20002000	CS15	/F	4822 124 90362	ELECT. 22μF M 50V RA-2	OA22605020
QX01		9965 000 09133	IC NJM2296 DVIDEO SW	HC10217090	CS15	/L,/N,/S	4822 124 80578	ELECT. 22μF 25V ARA	OA22602550
QX02		9965 000 09133	IC NJM2296D VIDEO SW	HC10217090	CS16	/F	4822 124 90362	ELECT. 22μF M 50V RA-2	OA22605020
QX03		4822 130 41947	TRS. 2SC536SP ETC	HT30001000	CS16	/L,/N,/S	4822 124 80578	ELECT. 22μF 25V ARA	OA22602550
QX04		9965 000 09136	IC NJM2264	HC10185090	CS17	/F	4822 124 90362	ELECT. 22μF M 50V RA-2	OA22605020
QX05		4822 209 15524	IC LC74781 OSD	HC10377030	CS17	/L,/N,/S	4822 124 80578	ELECT. 22μF 25V ARA	OA22602550
QX06	/L,/N,/S	4822 130 61189	DIG.TRS.	BA20004000	CS18	/F	4822 124 90362	ELECT. 22μF M 50V RA-2	OA22605020
			DTC114TS UN4215 10K		CS18	/L,/N,/S	4822 124 80578	ELECT. 22μF 25V ARA	OA22602550
QX07	/L,/N,/S	4822 130 61189	DIG.TRS.	BA20004000	CS19		4822 124 90362	ELECT. 22μF 50V	OA22605020
			DTC114TS UN4215 10K		CS20		4822 124 90362	ELECT. 22μF 50V	OA22605020
QX08	/L,/N,/S	4822 130 61227	DIG.TRS.	BA10001000	CS21	/F	4822 124 90362	ELECT. 22μF M 50V RA-2	OA22605020
			DTA114ES UN4111 10K 10K		CS21	/L,/N,/S	4822 124 80578	ELECT. 22μF 25V ARA	OA22602550
QX09		4822 130 41947	TRS. 2SC536SP ETC	HT30001000	CS22	/F	4822 124 90362	ELECT. 22μF M 50V RA-2	OA22605020
QX10		4822 130 41947	TRS. 2SC536SP ETC	HT30001000	CS22	/L,/N,/S	4822 124 80578	ELECT. 22μF 25V ARA	OA22602550
QX11		9965 000 01380	IC C-MOS IC 74HC4051	HC705100B0	CS23		9965 000 05891	FILM 470pF J 100V	OF15471540
QX12		4822 209 83088	IC NJM2903D DUAL COMPAR.	HC10022090	CS24		9965 000 05891	FILM 470pF J 100V	OF15471540
QX13		4822 130 61227	DIG.TRS. DTA114ES ETC	BA10001000	CS25		9965 000 01344	FILM 100pF J 100V	OF15101540
QX14		4822 130 61227	DIG.TRS. DTA114ES ETC	BA10001000	CS25		9965 000 01344	FILM 100pF J 100V	OF15101540
QX70		9965 000 09137	IC RGB VIDEO SW MAX499	HC10141990	CS28		4822 124 90362	ELECT. 22μF 50V	OA22605020
			PL54-MISCELLANEOUS		CS29		4822 124 90362	ELECT. 22μF 50V	OA22605020
JX01		9965 000 01375	TERMINAL 3P S-VIDEO GOLD	YT02030550	CS30		4822 124 90362	ELECT. 22μF 50V	OA22605020
JX02		9965 000 01375	TERMINAL 3P S-VIDEO GOLD	YT02030550	CS31		9965 000 01344	FILM 100pF J 100V	OF15101540
JX03		9965 000 01376	TERMINAL 2P S-VIDEO GOLD	YT02021520	CS31		9965 000 01344	FILM 100pF J 100V	OF15101540
JX04		9965 000 09134	TERMINAL DVD COMPONENT	YT02030680	CS32		9965 000 01344	FILM 100pF J 100V	OF15101540
JX05		9965 000 09134	TERMINAL DBS/VCR2 COMP.	YT02030680	CS32		9965 000 01344	FILM 100pF J 100V	OF15101540
JX06		9965 000 09135	TERMINAL 3P RCA -	YT02030580	CS33		9965 000 05891	FILM 470pF J 100V	OF15471540
LX01		4822 157 62922	CHOKE COIL 33μH J	LC13333800	CS34		9965 000 05891	FILM 470pF J 100V	OF15471540
LX02		4822 242 73843	EMI FILTER 0.022μF	FM12223010	CS35		9965 000 01344	FILM 100pF J 100V	OF15101540
LX03		4822 242 73843	EMI FILTER 0.022μF	FM12223010	CS39		4822 122 40617	CER. 0.1μF 50V	DD38104010
XX01		4822 242 80288	CRYSTAL 14.31818MHz	JX14001260	CS40		9965 000 01344	FILM 100pF J 100V	OF15101540
XX02	/L	4822 242 73903	CRYSTAL AT49 17.7MHz	JX17001260	CS41		9965 000 01344	FILM 100pF J 100V	OF15101540
XX02	/N	4822 242 73903	CRYSTAL AT49 17.7MHz	JX17001260	CS42		9965 000 01344	FILM 100pF J 100V	OF15101540
XX02	/S	4822 242 73903	CRYSTAL AT49 17.7MHz	JX17001260	CS42		9965 000 01344	FILM 100pF J 100V	OF15101540
			PS04-FUNCTION CIRCUIT BOARD		CS43		9965 000 05891	FILM 470pF J 100V	OF15471540
			PS04-CAPACITORS		CS43		9965 000 05891	FILM 470pF J 100V	OF15471540
CS01	/F	4822 124 90362	ELECT. 22μF M 50V RA-2	OA22605020	CS44		9965 000 05891	FILM 470pF J 100V	OF15471540
CS01	/L,/N,/S	4822 124 80578	ELECT. 22μF 25V ARA	OA22602550	CS44		9965 000 05891	FILM 470pF J 100V	OF15471540
CS02	/F	4822 124 90362	ELECT. 22μF M 50V RA-2	OA22605020	CS45		9965 000 01344	FILM 100pF J 100V	OF15101540
CS02	/L,/N,/S	4822 124 80578	ELECT. 22μF 25V ARA	OA22602550	CS46		9965 000 01344	FILM 100pF J 100V	OF15101540
CS03	/F	4822 124 90362	ELECT. 22μF M 50V RA-2	OA22605020	CS47		4822 124 90362	ELECT. 22μF 50V	OA22605020
CS03	/L,/N,/S	4822 124 80578	ELECT. 22μF 25V ARA	OA22602550	CS48		4822 124 90362	ELECT. 22μF 50V	OA22605020
CS04	/F	4822 124 90362	ELECT. 22μF M 50V RA-2	OA22605020	CS49		4822 122 40617	CER. 0.1μF 50V	DD38104010
CS04	/L,/N,/S	4822 124 80578	ELECT. 22μF 25V ARA	OA22602550	CS56		5322 124 21731	ELECT. 10μF 50V	OA10605020
CS05		9965 000 05891	FILM 470pF J 100V	OF15471540	CS58		5322 124 21731	ELECT. 10μF 50V	OA10605020
CS06		9965 000 05891	FILM 470pF J 100V	OF15471540	CS59		9965 000 01344	FILM 100pF J 100V	OF15101540
CS07	/F	4822 124 90362	ELECT. 22μF M 50V RA-2	OA22605020	CS60		9965 000 01344	FILM 100pF J 100V	OF15101540
CS07	/L,/N,/S	4822 124 80578	ELECT. 22μF 25V ARA	OA22602550	CS61		5322 124 21731	ELECT. 10μF 50V	OA10605020
CS08	/F	4822 124 90362	ELECT. 22μF M 50V RA-2	OA22605020	CS62		5322 124 21731	ELECT. 10μF 50V	OA10605020
CS08	/L,/N,/S	4822 124 80578	ELECT. 22μF 25V ARA	OA22602550	CS63		4822 121 42327	FILM	DF15471350
CS09		4822 124 90362	ELECT. 22μF 50V	OA22605020	CS64		4822 121 42327	FILM	DF15471350
CS10		4822 124 90362	ELECT. 22μF 50V	OA22605020	CS65		4822 122 40617	CER. 0.1μF 50V	DD38104010
					CS66		4822 122 40617	CER. 0.1μF 50V	DD38104010
					CS67		4822 124 90362	ELECT. 22μF 50V	OA22605020
					CS68		4822 124 90362	ELECT. 22μF 50V	OA22605020
					CS69		9965 000 01344	FILM 100pF J 100V	OF15101540
					CS70		9965 000 01344	FILM 100pF J 100V	OF15101540
					CS73		4822 124 90362	ELECT. 22μF 50V	OA22605020
					CS74		4822 124 90362	ELECT. 22μF 50V	OA22605020
					CS75		4822 121 42327	FILM 470pF	DF15471350
					CS76		4822 121 42327	FILM 470pF	DF15471350
					CS77		4822 124 90362	ELECT. 22μF 50V	OA22605020

NOTE : "nsp" PART IS LISTED FOR REFERENCE ONLY, MARANTZ WILL NOT SUPPLY THESE PARTS.

POS. NO	VERS. COLOR	PART NO. (FOR PCS)	DESCRIPTION	PART NO. (MJJ)	POS. NO	VERS. COLOR	PART NO. (FOR PCS)	DESCRIPTION	PART NO. (MJJ)
CS78		4822 124 90362	ELECT. 22µF 50V	OA22605020	QS01		4822 209 32553	PS04-SEMICONDUCTORS IC LC78212	HC10309030
CS79		4822 121 10792	FILM 220pF J 100V	OF15221540	QS02		4822 209 32552	IC LC78211	HC10308030
CS80		4822 121 10792	FILM 220pF J 100V	OF15221540	QS03		4822 209 73064	IC NJM-2068-DD	HC10053090
CS83		4822 124 90362	ELECT. 22µF 50V	OA22605020	QS04		4822 209 73064	IC NJM-2068-DD	HC10053090
CS84		4822 124 90362	ELECT. 22µF 50V	OA22605020	QS05		4822 209 32553	IC LC78212	HC10309030
CS85		4822 121 10792	FILM 220pF J 100V	OF15221540	QS06		4822 209 73064	IC NJM-2068-DD	HC10053090
CS86		4822 121 10792	FILM 220pF J 100V	OF15221540	Q405		4822 209 73064	IC NJM-2068-DD	HC10053090
CS87		4822 122 40617	CER. 0.1µF 50V	DD38104010					
CS88		4822 122 40617	CER. 0.1µF 50V	DD38104010					
CS92					JS01				
CS93		9965 000 01569	CER. 0.01µF 50V	DD38103010	JS01		9965 000 09131	TERMINAL YKC21-3439	YT02060510
CS94		9965 000 01569	CER. 0.01µF 50V	DD38103010	JS04				
CS95					J401		4822 290 61242	TERMINAL 14X14 RA 2L2P B	YT02021360
CS96		4822 124 90354	ELECT. 100µF 16V	OA10701620	LS01		4822 242 73843	EMI FILTER 0.022µF	FM12223010
CS97		4822 124 90354	ELECT. 100µF 16V	OA10701620	LS03		4822 242 73843	EMI FILTER 0.022µF	FM12223010
C401	/F,/L	9965 000 01344	FILM 100pF J 100V APSV	OF15101540					
C402	/F,/L	9965 000 01344	FILM 100pF J 100V APSV	OF15101540					
C403	/F,/L	4822 121 10792	FILM 220pF 100V PP	OF15221540					
C403	/N,/S	9965 000 05891	FILM 470pF 100V PP	OF15471540	CU01				
C404	/F,/L	4822 121 10792	FILM 220pF 100V PP	OF15221540	CU01		4822 126 11558	CER. 0.1µF 50V	DA17104110
C404	/N,/S	9965 000 05891	FILM 470pF 100V PP	OF15471540	CU06				
C405		5322 124 21731	ELECT. 10µF 50V	OA10605020	CU07		4822 126 10364	CER. 100pF 50V	DA16101110
C406		5322 124 21731	ELECT. 10µF 50V	OA10605020	CU08		4822 126 10364	CER. 100pF 50V	DA16101110
C407		4822 121 70437	FILM 1000pF 100V	OF15102540	CU09		4822 126 11558	CER. 0.1µF 50V	DA17104110
C408		4822 121 70437	FILM 1000pF 100V	OF15102540	CU10		4822 126 11558	CER. 0.1µF 50V	DA17104110
C409		4822 124 12276	FILM 0.01µF 100V	OF15103540	CU11		4822 126 10513	CER. 47pF	DA15470110
C410		4822 124 12276	FILM 0.01µF 100V	OF15103540	CU12		4822 126 11558	CER. 0.1µF 50V	DA17104110
C413		4822 124 22277	ELECT. 470µF 16V M	OA47701620	CU13		4822 122 33639	CER. 1000pF 50V	DA16102110
C414		4822 124 22277	ELECT. 470µF 16V	OA47701620	CU14		4822 122 40617	CER. 0.1µF 50V	DD38104010
C415		4822 124 90362	ELECT. 22µF 50V	OA22605020	CU15		4822 126 10935	ELECT. 100µF 6.3V	EJ10700610
C416		4822 124 90362	ELECT. 22µF 50V	OA22605020	CU17		4822 126 11558	CER. 0.1µF 50V	DA17104110
C419		4822 122 40617	CER. 0.1µF 50V	DD38104010	CU18		4822 126 11558	CER. 0.1µF 50V	DA17104110
C420		4822 122 40617	CER. 0.1µF 50V	DD38104010					
C421		4822 124 12404	ELECT. 220µF 16V	OA22701620	CU21		4822 122 40617	CER. 0.1µF 50V	DD38104010
C422		4822 124 12404	ELECT. 220µF 16V	OA22701620	CU22		5322 124 21731	ELECT. 10µF 50V	OA10605020
C423					CU23		4822 122 40588	CER. 22000pF 25V	DA17223110
∫		4822 122 40617	CER. 0.1µF 50V	DD38104010	CU24		4822 122 40617	CER. 0.1µF 50V	DD38104010
C427					CU25		4822 122 40617	CER. 0.1µF 50V	DD38104010
			PS04-CAPACITORS (COMMON) HIGH DIELECTRIC CONSTANT CER. CAPACITOR ±10% 50V : CS89 CS90		CU28		4822 122 40617	CER. 0.1µF 50V	DD38104010
C***					CU41		4822 122 40617	CER. 0.1µF 50V	DD38104010
					CU42		4822 124 23056	ELECT. 47µF 10V	EJ47601010
					CU43		4822 122 40617	CER. 0.1µF 50V	DD38104010
					CU44		4822 124 23056	ELECT. 47µF 10V	EJ47601010
					CU45		4822 126 10364	CER. 100pF 50V	DA16101110
					CU46		4822 126 10364	CER. 100pF 50V	DA16101110
					CU50		4822 122 40617	CER. 0.1µF 50V	DD38104010
					CU51			CER. 100pF	DK16101300
					R***				
								PU04-RESISTORS (COMMON) CARBON FILM FIXED RES. ±5% 1/6W : RU01-RU05 RU07 RU08 RU10-RU28 RU34 RU35 RU41-RU49 RU51 RU52 RU57 RU58-RU66 RU68-RU71 RU80 RU81-RU89	
RS57					DU01		4822 130 32362	DIODE	HD20002000
∫					DU50				
RS70				GD05000160	∫		4822 130 32362	DIODE	HD20002000
RS82		4822 052 10109	10Ω ±5% 1/6W	GG05100160	DU59				
RS83		4822 052 10109	10Ω ±5% 1/6W	GG05100160	DU80				
R401	/N,/S	4822 156 11019	CHOKE COIL 320mH TOROID.	LC13240010	∫		4822 130 11569	L.E.D. LHMF-K2 RED	HI10005340
R402	/N,/S	4822 156 11019	CHOKE COIL 320mH TOROID.	LC13240010	DU89				
R423		4822 052 10109	10Ω ±5% 1/6W	GG05100160					
R424		4822 052 10109	10Ω ±5% 1/6W	GG05100160	QU01		9965 000 09125	IC TMP93PW44ADF PROGRAMED	* HS330JT3R
R425		4822 052 10109	10Ω 1/6W	GG05100160	QU02		9965 000 03868	IC ML9205-01GA FL DRIVER	HC10039260
			PS04-RESISTORS (COMMON) CARBON FILM FIXED RES. ±5% 1/6W : R401-R406 R411-R422 RS01-RS54 RS59-RS66 RS71-RS74 RS77-RS81						

NOTE : *nsp* PART IS LISTED FOR REFERENCE ONLY, MARANTZ WILL NOT SUPPLY THESE PARTS.

POS. NO	VERS. COLOR	PART NO. (FOR PCS)	DESCRIPTION	PART NO. (MJI)	POS. NO	VERS. COLOR	PART NO. (FOR PCS)	DESCRIPTION	PART NO. (MJI)
QU03		9965 000 08235	IC AT24C04N-10SI-2.5	HC10033990				PU94-MASTER VOL. CIRCUIT BOARD	
QU04		4822 130 41947	TRS. 2SC536SP ETC	HT30001000				PU94-CAPACITORS	
QU05		4822 130 41947	TRS. 2SC536SP ETC	HT30001000				ELECT. 100µF 50V	EA10700610
QU06		4822 130 42594	DIG.TRS. DTC144ES	BA20002000	CU90			CER. 0.01µF 50V	DD38103010
QU07		4822 130 41947	TRS. 2SC536SP ETC	HT30001000	CU91	9965 000 01569		CER. 0.01µF 50V	DD38103010
QU08		4822 130 41947	TRS. 2SC536SP ETC	HT30001000	CU92	9965 000 01569		CER. 0.01µF 50V	DD38103010
QU09		4822 130 61227	DIG.TRS. DTA114ES ETC	BA10001000	CU93	9965 000 01569		CER. 0.01µF 50V	DD38103010
QU10		4822 130 60588	DIG.TRS. DTC114ES ETC	BA20001000	CU94			CER. 470pF 25V	DK16471300
QU11		4822 130 61227	DIG.TRS. DTA114ES ETC	BA10001000	CU95			CER. 470pF 25V	DK16471300
QU12		4822 130 60588	DIG.TRS. DTC114ES ETC	BA20001000	CU96	9965 000 01569		CER. 0.01µF 50V	DD38103010
QU13		4822 130 61227	DIG.TRS. DTA114ES ETC	BA10001000	CU97	9965 000 01569		CER. 0.01µF 50V	DD38103010
QU38		4822 130 61227	DIG.TRS. DTA114ES ETC	BA10001000	CU98	9965 000 01569		CER. 0.01µF 50V	DD38103010
QU39		4822 130 61227	DIG.TRS. DTA114ES ETC	BA10001000	CU99			ELECT. 100µF 50V	EA10700610
QU51		5322 209 11532	IC 74HC4094 16PIN	HC709449B0					
QU52								PU94-RESISTORS	
QU53		4822 130 61227	DIG.TRS. DTA114ES ETC	BA10001000	RU90	4822 052 10109		10Ω 1/6W	GG05100160
QU56					RU91			100Ω 1/6W	GD05101160
QU57		4822 130 60588	DIG.TRS. DTC114ES ETC	BA20001000	RU92			100Ω 1/6W	GD05101160
QU58		4822 130 60588	DIG.TRS. DTC114ES ETC	BA20001000	RU93	4822 052 10109		10Ω 1/6W	GG05100160
QU80		4822 130 60588	DIG.TRS. DTC114ES ETC	BA20001000	RU94	4822 052 10109		10Ω 1/6W	GG05100160
QU81		4822 130 60588	DIG.TRS. DTC114ES ETC	BA20001000	RU95	9965 000 09123		VARI. 5kΩ B RK16312MC M9	RY05020010
								PU94-SEMICONDUCTORS	
JU01			PU04-MISCELLANEOUS		DU90	4822 130 10667		ZENER DIODE NTJ4.7B 4.7V	HD30471000
LU01		4822 242 73843	JACK 29FE-ST-VK-N	YJ07020250	QU90	4822 209 30193		IC LB1641 MOTOR DRIVER	HC10279030
			EMI FILTER 0.022µF	FM12223010					
SU01								PW04-HEADPHONE CIRCUIT BOARD	
SU16		9965 000 00373	TACT SWITCH	SP01013370	CW50	4822 122 40586		CER. 10000pF	DA17103110
VU01		9965 000 09126	DISPLAY UNIT 24-BT-12GN F	HQ32402410	CW51	4822 122 40586		CER. 0.01µF 16V	DA17103110
XU01		9965 000 01346	SERAMIC VIB. CERALOCK 20MHz	FQ02005030	CW52	4822 122 40617		CER. 0.1µF 50V	DD38104010
					CW53	4822 122 40586		CER. 0.01µF 16V	DA17103110
					JW50	4822 265 11525		H.P JACK GLD	YJ01004330
								HLJ2307-01-3163	
					JW51	4822 267 30894		JACK B4B-PH-K-S	YJ06006240
CU30		4822 126 11558	PU34-TEMP. METER CIRCUIT BOARD					P604-DSP/ADC/DAC CIRCUIT BOARD	
MU30		4822 134 40925	CER. 0.1µF 50V	DA17104110				P604-CAPACITORS	
			LAMP 8V 100mA LAMP (DC IGN.)BLUE	IN10080680				ELECT. 10µF 50V	OA10605020
MU31		4822 344 14034	D.C METER MG-28	IM11030030	CC01	5322 124 21731		ELECT. 10µF 50V	OA10605020
RU30		4822 052 10109	10Ω ±5% 1/6W	GG05100160	CC02	5322 124 21731		CER. CHIP 0.01µF	DK98103300
					CC03	4822 126 11703		CER. CHIP 0.01µF	DK98103300
					CC04	4822 126 11703		CER. CHIP 220pF 50V	DK96221300
SU40		9965 000 09124	PU44-DOOR SW CIRCUIT BOARD		CC05	4822 122 10172		CER. CHIP 220pF 50V	DK96221300
			MINI SWITCH SPPB5A0100	SM01013100	CC06	4822 122 10172		ELECT. 100µF 10V	OA10701020
					CC07	4822 124 90353		ELECT. 100µF 10V	OA10701020
					CC08	4822 124 90353		CER. CHIP 220pF 50V	DK96221300
					CC09	4822 122 10172		CER. CHIP 220pF 50V	DK96221300
JU50			PU54-CONNECTOR CIRCUIT BOARD		CC10	4822 122 10172		ELECT. 47µF M 25V RA-2	OA47602520
			JACK 29FE-BT-VK-N 29PIN	YJ07020620	CC11	4822 124 22698		ELECT. 47µF M 25V RA-2	OA47602520
					CC12	4822 124 22698		ELECT. 10µF 50V	OA10605020
					CC21	5322 124 21731		ELECT. 10µF 50V	OA10605020
CU61		4822 122 40588	PU64-IR SENSOR CIRCUIT BOARD		CC22	5322 124 21731		ELECT. 10µF 50V	OA10605020
CU62		4822 124 80087	CER. 22000pF 25V	DA17223110	CC23	4822 126 11703		CER. CHIP 0.01µF	DK98103300
RU67			ELECT. 220µF 6.3V	EJ22700610	CC24	4822 126 11703		CER. CHIP 0.01µF	DK98103300
QU60		4822 130 63211	100Ω 1/6W	GD05101160	CC25	4822 122 10172		CER. CHIP 220pF 50V	DK96221300
			DIG.TRS. DTA114TS UN4115	BA10004000	CC26	4822 122 10172		CER. CHIP 220pF 50V	DK96221300
QU61		4822 209 16157	KRA111M 10K	HW10005020	CC27	4822 124 90353		ELECT. 100µF 10V	OA10701020
			PHOTO UNIT PNA4655M00XB		CC28	4822 124 90353		ELECT. 100µF 10V	OA10701020
			IR SENSOR		CC29	4822 122 10172		CER. CHIP 220pF 50V	DK96221300
					CC30	4822 122 10172		CER. CHIP 220pF 50V	DK96221300
					CC31	4822 124 90362		ELECT. 22µF M 50V RA-2	OA22605020
RU72		4822 117 10158	PU74-FUNC.SEL.SW CIRCUIT BOARD		CC32	4822 124 90362		ELECT. 22µF M 50V RA-2	OA22605020
SU70		4822 273 20368	1Ω UKIBOUSHI	GG05010140	CC51	4822 122 10172		CER. CHIP 220pF 50V	DK96221300
			ROTARY SWITCH	SR01120070	CC52	4822 122 10172		CER. CHIP 220pF 50V	DK96221300
			SRRSIC-F12-1 L30		CC55	4822 122 10172		CER. CHIP 220pF 50V	DK96221300
					CC56	4822 122 10172		CER. CHIP 220pF 50V	DK96221300
					CD01	4822 124 41537		ELECT. 220µF M 6.3V RA-2	OA22700620
					CD02	4822 124 90353		ELECT. 100µF 10V	OA10701020

NOTE : *nsp* PART IS LISTED FOR REFERENCE ONLY, MARANTZ WILL NOT SUPPLY THESE PARTS.

POS. NO	VERS. COLOR	PART NO. (FOR PCS)	DESCRIPTION	PART NO. (MJI)	POS. NO	VERS. COLOR	PART NO. (FOR PCS)	DESCRIPTION	PART NO. (MJI)
CD03		4822 124 90353	ELECT. 100µF 10V	OA10701020	CJ21				
CD04		4822 124 41537	ELECT. 220µF M 6.3V RA-2	OA22700620	}		4822 126 11687	CER. CHIP 0.1uF	DK98104200
CD05					CJ24				
}		4822 126 11687	CER. CHIP 0.1uF	DK98104200	CJ25		4822 124 41535	ELECT. 100µF 25V	OA10702520
CD08					CJ26		4822 124 41535	ELECT. 100µF 25V	OA10702520
CD09		4822 124 41537	ELECT. 220µF M 6.3V RA-2	OA22700620	CJ27	/F	4822 124 90362	ELECT. 22µF M 50V RA-2	OA22605020
CD10		4822 124 90353	ELECT. 100µF 10V	OA10701020	CJ27	/L,/N,/S	9965 000 02015	ELECT. 22µF M 25V ARS	OA22602540
CD11		4822 124 90353	ELECT. 100µF 10V	OA10701020	CJ28	/F	4822 124 90362	ELECT. 22µF M 50V RA-2	OA22605020
CD12		4822 124 41537	ELECT. 220µF M 6.3V RA-2	OA22700620	CJ28	/L,/N,/S	9965 000 02015	ELECT. 22µF M 25V ARS	OA22602540
CD13					CJ29		4822 124 90362	ELECT. 22µF M 50V RA-2	OA22605020
}		4822 126 11687	CER. CHIP 0.1uF	DK98104200	CJ30		4822 124 90362	ELECT. 22µF M 50V RA-2	OA22605020
CD20					CJ31				
CD21		4822 124 80543	ELECT. 10µF 35V ARS	OA10603540	}		9965 000 07023	FILM 820pF J 50V	DF15821350
CD22	/F	5322 124 21731	ELECT. 10µF M 50V RA-2	OA10605020	CJ34				
CD22	/L,/N,/S	4822 124 80543	ELECT. 10µF 35V ARS	OA10603540	CJ35		9965 000 09113	FILM 270pF 100V PP	OF15271540
CD23		5322 124 21731	ELECT. 10µF 50V	OA10605020	}				
CD24		4822 124 80543	ELECT. 10µF 35V ARS	OA10603540	CJ38				
CD25		4822 124 80543	ELECT. 10µF 35V ARS	OA10603540	CJ41		9965 000 06697	FILM 560pF 100V PP	OF15561540
CD26	/F	5322 124 21731	ELECT. 10µF M 50V RA-2	OA10605020	CJ42		9965 000 06697	FILM 560pF 100V PP	OF15561540
CD26	/L,/N,/S	4822 124 80543	ELECT. 10µF 35V ARS	OA10603540	CJ45		4822 122 33777	CER. CHIP 47pF RH 50	DD95470300
CD27		5322 124 21731	ELECT. 10µF 50V	OA10605020	CJ46		4822 122 33777	CER. CHIP 47pF RH 50	DD95470300
CD28		4822 124 80543	ELECT. 10µF 35V ARS	OA10603540	CJ47	/F	4822 124 90362	ELECT. 22µF M 50V RA-2	OA22605020
CD29		4822 126 11687	CER. CHIP 0.1uF	DK98104200	CJ47	/L,/N,/S	9965 000 02015	ELECT. 22µF M 25V ARS	OA22602540
CH09		4822 126 14166	FILM 330pF 100V PP	OF15331540	CJ48	/F	4822 124 90362	ELECT. 22µF M 50V RA-2	OA22605020
CH10		4822 126 14166	FILM 330pF 100V PP	OF15331540	CJ48	/L,/N,/S	9965 000 02015	ELECT. 22µF M 25V ARS	OA22602540
CH11		9965 000 05891	FILM 470pF 100V PP	OF15471540	CJ49		4822 121 10792	FILM 220pF J 100V	OF15221540
CH12		9965 000 05891	FILM 470pF 100V PP	OF15471540	CJ50		4822 121 10792	FILM 220pF J 100V	OF15221540
CH13		4822 121 43382	FILM 680pF J M 50V	DF15681350	CJ51		4822 126 11687	CER. CHIP 0.1uF	DK98104200
CH14		4822 121 43382	FILM 820pF J 50V	DF15681350	CJ52		4822 126 11687	CER. CHIP 0.1uF	DK98104200
CH15		4822 121 43382	FILM 680pF J M 50V	DF15681350	CJ53		9965 000 02015	ELECT. 22µF M 25V ARS	OA22602540
CH16		4822 121 43382	FILM 680pF J M 50V	DF15681350	CJ54				
CH17					}		4822 124 90362	ELECT. 22µF M 50V RA-2	OA22605020
}		9965 000 09113	FILM 270pF 100V PP	OF15271540	CJ60				
CH20					CJ61		9965 000 07023	FILM 820pF J 50V	DF15821350
CH21		4822 126 11671	CER. CHIP 33pF ±5 % CG 50V	DD95330300	CJ63		9965 000 07023	FILM 820pF J 50V	DF15821350
CH22		4822 126 11671	CER. CHIP 33pF ±5 % CG 50V	DD95330300	CJ65		9965 000 09113	FILM 270pF 100V PP	OF15271540
CH23		9965 000 08135	ELECT. 47µF 50V M ARS	OA47605040	CJ67		9965 000 09113	FILM 270pF 100V PP	OF15271540
CH24		9965 000 08135	ELECT. 47µF 50V M ARS	OA47605040	CJ71		9965 000 06697	FILM 560pF 100V PP	OF15561540
CH27					CJ72		9965 000 05891	FILM 470pF J 100V	OF15471540
}		4822 126 11687	CER. CHIP 0.1uF	DK98104200	CJ75		4822 122 33777	CER. CHIP 47pF RH 50	DD95470300
CH30					CJ76		4822 122 33777	CER. CHIP 47pF RH 50	DD95470300
CH31					CJ77	/F	4822 124 90362	ELECT. 22µF M 50V RA-2	OA22605020
}		4822 124 23649	ELECT. 470µF 25V	OA47702520	CJ77	/L,/N,/S	9965 000 02015	ELECT. 22µF M 25V ARS	OA22602540
CH34					CJ78		4822 124 90362	ELECT. 22µF 50V	OA22605020
CH35					CJ79		4822 121 10792	FILM 220pF J 100V	OF15221540
}		4822 126 11687	CER. CHIP 0.1uF	DK98104200	CJ80		4822 121 10792	FILM 220pF J 100V	OF15221540
CH38					CJ81		4822 126 11687	CER. CHIP 0.1uF	DK98104200
CH39		4822 121 10792	FILM 220pF J 100V	OF15221540	CJ82		4822 126 11687	CER. CHIP 0.1uF	DK98104200
CH40		4822 121 10792	FILM 220pF J 100V	OF15221540	CJ83		4822 124 41535	ELECT. 100µF 25V	OA10702520
CH41					CJ84		4822 124 41535	ELECT. 100µF 25V	OA10702520
}		9965 000 02015	ELECT. 22µF M 25V ARS	OA22602540	CJ87				
CH44					}		4822 126 11687	CER. CHIP 0.1uF	DK98104200
CH51		4822 121 10792	FILM 220pF J 100V	OF15221540	CJ94				
CH52		4822 121 10792	FILM 220pF J 100V	OF15221540	CJ95		4822 124 41535	ELECT. 100µF 25V	OA10702520
CJ01					}				
}		9965 000 07023	FILM 820pF J 50V	DF15821350	CJ98				
CJ04					CK01				
CJ05					}		4822 124 90362	ELECT. 22µF 50V	OA22605020
}		9965 000 09113	FILM 270pF 100V PP	OF15271540	CK04				
CJ08					CK05		4822 122 10172	CER. CHIP 220pF 50V	DK96221300
CJ11		4822 121 43382	FILM 680pF J M 50V	DF15681350	CK06		4822 122 10172	CER. CHIP 220pF 50V	DK96221300
CJ12		4822 121 43382	FILM 680pF J M 50V	DF15681350	CK07		5322 124 21731	ELECT. 10µF 50V	OA10605020
CJ15		4822 122 33777	CER. CHIP 47pF RH 50	DD95470300	CK08		5322 124 21731	ELECT. 10µF 50V	OA10605020
CJ16		4822 122 33777	CER. CHIP 47pF RH 50	DD95470300	CK09		4822 122 33777	CER. CHIP 47pF RH 50	DD95470300
CJ17		4822 124 90362	ELECT. 22µF 50V	OA22605020	CK10		4822 122 33777	CER. CHIP 47pF RH 50	DD95470300
CJ18		4822 124 90362	ELECT. 22µF 50V	OA22605020					
CJ19		4822 121 10792	FILM 220pF J 100V	OF15221540					
CJ20		4822 121 10792	FILM 220pF J 100V	OF15221540					

NOTE : *nsp* PART IS LISTED FOR REFERENCE ONLY, MARANTZ WILL NOT SUPPLY THESE PARTS.

POS. NO	VERS. COLOR	PART NO. (FOR PCS)	DESCRIPTION	PART NO. (MJ)	POS. NO	VERS. COLOR	PART NO. (FOR PCS)	DESCRIPTION	PART NO. (MJ)
CK11		4822 122 10172	CER. CHIP 220pF 50V	DK96221300	CR15		4822 124 90353	ELECT. 100µF 10V	OA10701020
CK12		4822 122 10172	CER. CHIP 220pF 50V	DK96221300	CR16		4822 126 11687	CER. CHIP 0.1uF	DK98104200
CK13	/F	5322 124 21731	ELECT. 10µF M 50V RA-2	OA10605020	CR17		4822 126 11687	CER. CHIP 0.1uF	DK98104200
CK13	/L,N,S	4822 124 90386	ELECT. 10µF 25V ARA	OA10602550	CR18		4822 126 11703	CER. CHIP 0.01uF	DK98103300
CK14	/F	5322 124 21731	ELECT. 10µF M 50V RA-2	OA10605020	CR19		4822 126 11703	CER. CHIP 0.01uF	DK98103300
CK14	/L,N,S	4822 124 90386	ELECT. 10µF 25V ARA	OA10602550	CR20		4822 124 90353	ELECT. 100µF 10V	OA10701020
CK15		4822 122 31765	CER. CHIP 100pF 50V	DD95101300	CR21		5322 126 11583	CER. CHIP 0.01µF 50V	DK96103200
CK16		4822 122 31765	CER. CHIP 100pF 50V	DD95101300	CR22		4822 126 11687	CER. CHIP 0.1uF	DK98104200
CK17	/F	5322 124 21731	ELECT. 10µF M 50V RA-2	OA10605020	CR23		5322 126 11583	CER. CHIP 0.01µF 50V	DK96103200
CK17	/L,N,S	4822 124 90386	ELECT. 10µF 25V ARA	OA10602550	CR24		4822 126 13837	CER. CHIP 0.1µF 50V	DK96104200
CK18	/F	5322 124 21731	ELECT. 10µF M 50V RA-2	OA10605020	CR25		5322 126 11583	CER. CHIP 0.01µF 50V	DK96103200
CK18	/L,N,S	4822 124 90386	ELECT. 10µF 25V ARA	OA10602550	CR26		4822 124 41539	ELECT. 47µF 16V	OA47601620
CK19		4822 122 31765	CER. CHIP 100pF 50V	DD95101300	CR27				
					}		4822 126 11687	CER. CHIP 0.1uF	DK98104200
CK20		4822 122 31765	CER. CHIP 100pF 50V	DD95101300	CR33				
CK21		9965 000 01568	FILM 1500pF J 100V	OF15152540	CR34		5322 126 11583	CER. CHIP 0.01µF 50V	DK96103200
CK22		9965 000 01568	FILM 1500pF J 100V	OF15152540	CR35		4822 116 82487	CHIP 0Ω ±5% 1/16W	NN05000610
CK23									
					}				
CK30		4822 126 11687	CER. CHIP 0.1uF	DK98104200	CR50				
CK31					}		4822 126 11703	CER. CHIP 0.01uF	DK98103300
CK32		4822 124 90352	ELECT. 10µF 16V	OA10601620	CR63				
CK32		4822 124 90352	ELECT. 10µF 16V	OA10601620	CR64		4822 124 90353	ELECT. 100µF 10V	OA10701020
CK33		4822 126 11687	CER. CHIP 0.1uF	DK98104200	CR65		4822 126 11703	CER. CHIP 0.01uF	DK98103300
CK34		4822 126 11687	CER. CHIP 0.1uF	DK98104200	CR66		4822 126 11703	CER. CHIP 0.01uF	DK98103300
CK35		9965 000 06287	CER. CHIP 0.22µF	DK98224200	CR67		4822 124 90353	ELECT. 100µF 10V	OA10701020
CK36		9965 000 06287	CER. CHIP 0.22µF	DK98224200	CR68		4822 126 11703	CER. CHIP 0.01uF	DK98103300
CK37		4822 126 11687	CER. CHIP 0.1uF	DK98104200	CR69		4822 126 11703	CER. CHIP 0.01uF	DK98103300
CK38		4822 124 41537	ELECT. 220µF M 6.3V RA-2	OA22700620	CR70		4822 124 90353	ELECT. 100µF 10V	OA10701020
CK39		4822 126 11687	CER. CHIP 0.1uF	DK98104200	CR71		4822 124 90353	ELECT. 100µF 10V	OA10701020
CK40		4822 122 31765	CER. CHIP 100pF 50V	DD95101300	CR72		4822 124 90353	ELECT. 100µF 10V	OA10701020
CK41		4822 126 11687	CER. CHIP 0.1uF	DK98104200	CR73				
CK42		4822 124 41537	ELECT. 220µF M 6.3V RA-2	OA22700620	}		4822 124 12404	ELECT. 220µF 16V	OA22701620
CK43		4822 124 80543	ELECT. 10µF 35V ARS	OA10603540	CR76				
CK44									
					}				
CK48		4822 126 11687	CER. CHIP 0.1uF	DK98104200	C601		4822 126 11687	CER. CHIP 0.1uF	DK98104200
CK49		4822 124 12404	ELECT. 220µF 16V	OA22701620	C602		4822 124 90353	ELECT. 100µF 10V	OA10701020
CK50		4822 124 12404	ELECT. 220µF 16V	OA22701620	C603		4822 122 33761	CER. CHIP 22pF 50V	DD95220300
CK51		4822 126 11687	CER. CHIP 0.1uF	DK98104200	C604		4822 126 11687	CER. CHIP 0.1uF	DK98104200
CK52		4822 126 11687	CER. CHIP 0.1uF	DK98104200	C605		4822 126 11687	CER. CHIP 0.1uF	DK98104200
CK57		4822 124 12404	ELECT. 220µF 16V	OA22701620	C606		4822 124 90353	ELECT. 100µF 10V	OA10701020
CK58		4822 124 12404	ELECT. 220µF 16V	OA22701620	C607		4822 122 33761	CER. CHIP 22pF 50V	DD95220300
CK59					C608		4822 126 11687	CER. CHIP 0.1uF	DK98104200
					C609		4822 121 42327	FILM 470pF J M 50V	DF15471350
					C610		4822 126 11687	CER. CHIP 0.1uF	DK98104200
CK62		4822 126 11687	CER. CHIP 0.1uF	DK98104200	C611		4822 126 11687	CER. CHIP 0.1uF	DK98104200
CK63		4822 124 12404	ELECT. 220µF 16V	OA22701620	C612		4822 126 11687	CER. CHIP 0.1uF	DK98104200
CK64		4822 124 12404	ELECT. 220µF 16V	OA22701620	C613		5322 126 11583	CER. CHIP 0.01µF 50V	DK96103200
CK65		4822 126 11687	CER. CHIP 0.1uF	DK98104200	C614				
CK66		4822 126 11687	CER. CHIP 0.1uF	DK98104200	}		4822 126 11687	CER. CHIP 0.1uF	DK98104200
CK67		4822 124 12404	ELECT. 220µF 16V	OA22701620	C618				
CK68		4822 124 12404	ELECT. 220µF 16V	OA22701620	C619		4822 126 11703	CER. CHIP 0.01uF	DK98103300
CK69		4822 126 11687	CER. CHIP 0.1uF	DK98104200					
CK70		4822 126 11687	CER. CHIP 0.1uF	DK98104200	C620		4822 126 11703	CER. CHIP 0.01uF	DK98103300
CK71		4822 124 12404	ELECT. 220µF 16V	OA22701620	C621		4822 124 90353	ELECT. 100µF 10V	OA10701020
CK72		4822 124 12404	ELECT. 220µF 16V	OA22701620	C622		4822 126 11703	CER. CHIP 0.01uF	DK98103300
CK73		4822 126 11687	CER. CHIP 0.1uF	DK98104200	C623		4822 124 90353	ELECT. 100µF 10V	OA10701020
CK74		4822 126 11687	CER. CHIP 0.1uF	DK98104200	C624		4822 126 11703	CER. CHIP 0.01uF	DK98103300
					C625		4822 126 11703	CER. CHIP 0.01uF	DK98103300
CR01		4822 126 13837	CER. CHIP 0.1µF 50V	DK96104200	C626		9965 000 01318	ELECT. 220µF 10V	OA22701020
CR02		4822 126 13837	CER. CHIP 0.1µF 50V	DK96104200	C630				
CR03		4822 126 13837	CER. CHIP 0.1µF 50V	DK96104200	}		4822 126 11687	CER. CHIP 0.1uF	DK98104200
CR04		4822 126 11687	CER. CHIP 0.1uF	DK98104200	C635				
CR05		4822 126 11687	CER. CHIP 0.1uF	DK98104200	C636		4822 124 41537	ELECT. 220µF M 6.3V RA-2	OA22700620
CR06		4822 126 11687	CER. CHIP 0.1uF	DK98104200	C637		4822 126 11687	CER. CHIP 0.1uF	DK98104200
CR07		4822 124 90353	ELECT. 100µF 10V	OA10701020	C638		4822 124 90353	ELECT. 100µF 10V	OA10701020
CR08		5322 126 11578	CER. CHIP 1000P 50V	DK96102300	C639		4822 126 11687	CER. CHIP 0.1uF	DK98104200
CR09		4822 126 11687	CER. CHIP 0.1uF	DK98104200					
CR11		4822 126 11568	CER. CHIP 470P 50V	DK96471300	C640		4822 126 11687	CER. CHIP 0.1uF	DK98104200
CR12		4822 126 13837	CER. CHIP 0.1µF 50V	DK96104200	C641		4822 126 14417	CER. CHIP 0.01µF 50V	DK96103300
CR14		4822 126 11687	CER. CHIP 0.1uF	DK98104200	C642		4822 126 14417	CER. CHIP 0.01µF 50V	DK96103300

NOTE : "nsp" PART IS LISTED FOR REFERENCE ONLY, MARANTZ WILL NOT SUPPLY THESE PARTS.

POS. NO	VERS. COLOR	PART NO. (FOR PCS)	DESCRIPTION	PART NO. (MJJ)	POS. NO	VERS. COLOR	PART NO. (FOR PCS)	DESCRIPTION	PART NO. (MJJ)
C643		4822 124 90353	ELECT. 100µF 10V	OA10701020	RC30		4822 051 30101	CHIP 100Ω 1/16W	NN05101610
C644		4822 126 11687	CER. CHIP 0.1µF	DK98104200	RC31		4822 117 12925	CHIP 47kΩ 1/16W	NN05473610
C645		4822 126 11687	CER. CHIP 0.1µF	DK98104200	RC32		4822 117 12925	CHIP 47kΩ 1/16W	NN05473610
C646		4822 126 11687	CER. CHIP 0.1µF	DK98104200					
C647		4822 124 90353	ELECT. 100µF 10V	OA10701020	RC37				
C648		4822 126 11687	CER. CHIP 0.1µF	DK98104200	∫		4822 051 30222	CHIP 2.2kΩ 1/16W	NN05222610
C649		4822 126 14417	CER. CHIP 0.01µF 50V	DK96103300	RC40				
C650					RC41		4822 051 30105	CHIP 1.0MΩ 1/16W	NN05105610
∫		4822 126 11687	CER. CHIP 0.1µF	DK98104200	RC42		4822 051 30105	CHIP 1.0MΩ 1/16W	NN05105610
C655									
C656		9965 000 01581	ELECT. 22µF 25V	OA22602520	RC51		4822 051 30471	CHIP 470Ω 1/16W	NN05471610
C657		4822 126 13837	CER. CHIP 0.1µF 50V	DK96104200	RC52		4822 051 30471	CHIP 470Ω 1/16W	NN05471610
C659					RC53		4822 117 12925	CHIP 47kΩ 1/16W	NN05473610
∫		4822 126 11687	CER. CHIP 0.1µF	DK98104200	RC54		4822 117 12925	CHIP 47kΩ 1/16W	NN05473610
C671					RC55		4822 117 11817	CHIP 1.2kΩ ±5% 1/16W	NN05122610
C672		4822 126 11703	CER. CHIP 0.01µF	DK98103300	RC56		4822 051 30272	CHIP 2.7kΩ ±5% 1/16W	NN05272610
C673		4822 126 11703	CER. CHIP 0.01µF	DK98103300	RC57		4822 117 12902	CHIP 8.2kΩ ±5% 1/16W	NN05822610
C674		4822 124 90353	ELECT. 100µF 10V	OA10701020	RC59		4822 051 30152	CHIP 2.2kΩ 1/16W	NN05152610
C675		4822 126 11687	CER. CHIP 0.1µF	DK98104200	RC61		4822 051 30103	CHIP 10kΩ 1/16W	NN05103610
C676		4822 126 11687	CER. CHIP 0.1µF	DK98104200	RC62		4822 051 30103	CHIP 10kΩ 1/16W	NN05103610
C677		4822 126 14417	CER. CHIP 0.01µF 50V	DK96103300	RC69		4822 051 30222	CHIP 2.2kΩ 1/16W	NN05222610
C678		4822 126 11687	CER. CHIP 0.1µF	DK98104200	RC72		4822 051 30223	CHIP 22kΩ ±5% 1/16W	NN05223610
C679		4822 124 41537	ELECT. 220µF M 6.3V RA-2	OA22700620	RC73				
					∫		4822 051 30222	CHIP 2.2kΩ ±5% 1/16W	NN05222610
C680		4822 126 11687	CER. CHIP 0.1µF	DK98104200	RC80				
C681		4822 124 41537	ELECT. 220µF M 6.3V RA-2	OA22700620	RC81		4822 051 30105	CHIP 1MΩ ±5% 1/16W	NN05105610
C683		4822 124 90353	ELECT. 100µF M 10V RA-2	OA10701020					
C690		4822 126 11687	CER. CHIP 0.1µF	DK98104200	RD01		4822 051 30272	CHIP 2.7kΩ 1/16W	NN05272610
C691		4822 126 14417	CER. CHIP 0.01µF 50V	DK96103300	RD02		4822 051 30391	CHIP 390Ω 1/16W	NN05391610
C692		4822 126 11687	CER. CHIP 0.1µF	DK98104200	RD03		4822 051 30391	CHIP 390Ω 1/16W	NN05391610
C693		4822 126 11687	CER. CHIP 0.1µF	DK98104200					
C694		4822 126 11687	CER. CHIP 0.1µF	DK98104200	RH01				
C695		4822 124 90353	ELECT. 100µF 10V	OA10701020	∫		4822 051 30103	CHIP 10kΩ ±5% 1/16W	NN05103610
C696		4822 122 33761	CER. CHIP 22pF 50V	DD95220300	RH08				
C697		5322 126 11583	CER. CHIP 0.01µF 50V	DK96103200	RH09		4822 116 83819	CHIP 18kΩ ±5% 1/16W	NN05183610
C698		4822 126 11687	CER. CHIP 0.1µF	DK98104200	RH10		4822 116 83819	CHIP 18kΩ ±5% 1/16W	NN05183610
C699		4822 122 33761	CER. CHIP 22pF 50V	DD95220300	RH11		4822 117 12902	CHIP 8.2kΩ ±5% 1/16W	NN05822610
					RH12		4822 117 12902	CHIP 8.2kΩ ±5% 1/16W	NN05822610
					RH13		4822 051 30479	CHIP 47Ω ±5% 1/16W	NN05470610
					RH14				
					∫		4822 051 30479	CHIP 47Ω 1/16W	NN05470610
					RH28				
					RH29		4822 051 30332	CHIP 3.3kΩ ±5% 1/16W	NN05332610
					RH30		4822 051 30332	CHIP 3.3kΩ ±5% 1/16W	NN05332610
					RH31		4822 051 30332	CHIP 2.2kΩ 1/16W	NN05332610
					RH32		4822 051 30332	CHIP 3.3kΩ ±5% 1/16W	NN05332610
					RH33				
					∫		4822 051 30222	CHIP 2.2kΩ 1/16W	NN05222610
					RH40				
					RH41				
					∫		4822 051 30121	CHIP 120Ω 1/16W	NN05121610
					RH44				
					RH45		4822 051 30689	CHIP 68Ω 1/16W	NN05680610
					RH46		4822 051 30689	CHIP 68Ω 1/16W	NN05680610
					RH47				
					∫		4822 117 12139	CHIP 22Ω 1/16W	NN05220610
					RH50				
					RH51		4822 051 30333	CHIP 33kΩ 1/16W	NN05333610
					RH52		4822 051 30333	CHIP 33kΩ 1/16W	NN05333610
					RH53				
					∫		4822 051 30102	CHIP 1kΩ 1/16W	NN05102610
					RH56				
					RH57		4822 051 30101	CHIP 100Ω 1/16W	NN05101610
					RH58		4822 051 30101	CHIP 100Ω 1/16W	NN05101610
					RH59				
					∫		4822 051 30479	CHIP 47Ω 1/16W	NN05470610
					RH66				
					RH67		4822 051 30561	CHIP 560Ω 1/16W	NN05561610
					RH68		4822 051 30561	CHIP 560Ω 1/16W	NN05561610
					RH69		4822 117 12925	CHIP 47kΩ 1/16W	NN05473610
RC01		4822 051 30562	CHIP 5.6kΩ 1/16W	NN05562610					
RC02		4822 051 30562	CHIP 5.6kΩ 1/16W	NN05562610					
RC03		4822 051 30472	CHIP 4.7kΩ 1/16W	NN05472610					
RC04		4822 051 30472	CHIP 4.7kΩ 1/16W	NN05472610					
RC05		4822 051 30103	CHIP 10kΩ 1/16W	NN05103610					
RC06		4822 051 30103	CHIP 10kΩ 1/16W	NN05103610					
RC07		4822 051 30103	CHIP 10kΩ 1/16W	NN05103610					
RC08		4822 051 30103	CHIP 10kΩ ±5% 1/16W	NN05103610					
RC09		4822 051 30101	CHIP 100Ω 1/16W	NN05101610					
RC10		4822 051 30101	CHIP 100Ω 1/16W	NN05101610					
RC11		4822 117 12925	CHIP 47kΩ 1/16W	NN05473610					
RC12		4822 117 12925	CHIP 47kΩ 1/16W	NN05473610					
RC13		4822 051 30123	CHIP 12kΩ 1/16W	NN05123610					
RC14		4822 051 30123	CHIP 12kΩ 1/16W	NN05123610					
RC15		4822 117 11817	CHIP 1.2kΩ 1/16W	NN05122610					
RC16		4822 117 11817	CHIP 1.2kΩ 1/16W	NN05122610					
RC17									
∫		4822 051 30222	CHIP 2.2kΩ 1/16W	NN05222610					
RC20									
RC21									
∫		4822 051 30472	CHIP 4.7kΩ 1/16W	NN05472610					
RC24									
RC25									
∫		4822 051 30103	CHIP 10kΩ 1/16W	NN05103610					
RC28									
RC29		4822 051 30101	CHIP 100Ω 1/16W	NN05101610					

NOTE : *nsp* PART IS LISTED FOR REFERENCE ONLY, MARANTZ WILL NOT SUPPLY THESE PARTS.

POS. NO	VERS. COLOR	PART NO. (FOR PCS)	DESCRIPTION	PART NO. (MJ)	POS. NO	VERS. COLOR	PART NO. (FOR PCS)	DESCRIPTION	PART NO. (MJ)
RH70		4822 117 12925	CHIP 47kΩ 1/16W	NN05473610	RK02		4822 051 30562	CHIP 5.6kΩ ±5% 1/16W	NN05562610
RH85					RK03		4822 051 30272	CHIP 2.7kΩ 1/16W	NN05272610
∫		4822 051 30109	CHIP 10Ω ±5% 1/16W	NN05100610	RK04		4822 051 30272	CHIP 2.7kΩ 1/16W	NN05272610
RH88					RK05		4822 051 30222	CHIP 2.2kΩ 1/16W	NN05222610
RJ01					RK06		4822 051 30222	CHIP 2.2kΩ 1/16W	NN05222610
∫		4822 051 30222	CHIP 2.2kΩ 1/16W	NN05222610	RK07		4822 051 30472	CHIP 4.7kΩ 1/16W	NN05472610
RJ14					RK08		4822 051 30472	CHIP 4.7kΩ 1/16W	NN05472610
RJ15		4822 051 30123	CHIP 12kΩ 1/16W	NN05123610	RK09				
RJ16		4822 051 30123	CHIP 12kΩ 1/16W	NN05123610	∫		4822 051 30103	CHIP 10kΩ 1/16W	NN05103610
RJ17		4822 051 30153	CHIP 15kΩ ±5% 1/16W	NN05153610	RK18				
RJ18		4822 051 30153	CHIP 15kΩ ±5% 1/16W	NN05153610	RK19		4822 051 30331	CHIP 330Ω 1/16W	NN05331610
RJ21		4822 051 30184	CHIP 180kΩ ±5% 1/16W	NN05184610	RK20		4822 051 30331	CHIP 330Ω 1/16W	NN05331610
RJ22		4822 051 30184	CHIP 33kΩ 1/16W	NN05184610	RK21				
RJ23		4822 051 30103	CHIP 10kΩ 1/16W	NN05103610	∫		4822 051 30103	CHIP 10kΩ 1/16W	NN05103610
RJ24		4822 051 30103	CHIP 10kΩ 1/16W	NN05103610	RK24				
RJ25		4822 051 30561	CHIP 560Ω 1/16W	NN05561610	RK25		4822 051 30331	CHIP 330Ω 1/16W	NN05331610
RJ26		4822 051 30561	CHIP 560Ω 1/16W	NN05561610	RK26		4822 051 30331	CHIP 330Ω 1/16W	NN05331610
RJ27		4822 117 12925	CHIP 47kΩ 1/16W	NN05473610	RK27				
RJ28		4822 117 12925	CHIP 47kΩ 1/16W	NN05473610	∫		4822 051 30109	CHIP 10Ω 1/16W	NN05100610
RJ31					RK30				
∫		4822 051 30222	CHIP 2.2kΩ 1/16W	NN05222610	RK31		4822 116 82487	CHIP 0Ω 1/16W	NN05000610
RJ44					RK33		4822 051 30105	CHIP 1.0MΩ 1/16W	NN05105610
RJ45		4822 117 12925	CHIP 47kΩ 1/16W	NN05473610	RK34		4822 051 30472	CHIP 4.7kΩ 1/16W	NN05472610
RJ46		4822 117 12925	CHIP 47kΩ 1/16W	NN05473610	RK35		4822 051 30472	CHIP 4.7kΩ 1/16W	NN05472610
RJ47		4822 051 30223	CHIP 22kΩ ±5% 1/16W	NN05223610	RK36		4822 116 82487	CHIP 0Ω ±5% 1/16W	NN05000610
RJ48		4822 051 30223	CHIP 22kΩ ±5% 1/16W	NN05223610					
RJ49		4822 051 30184	CHIP 180kΩ ±5% 1/16W	NN05184610	RR01		4822 051 30759	CHIP 75Ω 1/16W	NN05750610
RJ50		4822 051 30184	CHIP 180kΩ ±5% 1/16W	NN05184610	RR02		4822 051 30759	CHIP 75Ω 1/16W	NN05750610
RJ51		4822 051 30103	CHIP 10kΩ 1/16W	NN05103610	RR03		4822 051 30759	CHIP 75Ω 1/16W	NN05750610
RJ52		4822 051 30103	CHIP 10kΩ 1/16W	NN05103610	RR04		4822 051 30102	CHIP 1kΩ 1/16W	NN05102610
RJ53		4822 051 30561	CHIP 560Ω 1/16W	NN05561610	RR05		4822 051 30102	CHIP 1kΩ 1/16W	NN05102610
RJ54		4822 051 30561	CHIP 560Ω 1/16W	NN05561610	RR06		4822 051 30102	CHIP 1kΩ 1/16W	NN05102610
RJ55		4822 117 12925	CHIP 47kΩ 1/16W	NN05473610	RR07		4822 117 13632	CHIP 100kΩ 1/16W	NN05104610
RJ56		4822 117 12925	CHIP 47kΩ 1/16W	NN05473610	RR08		4822 117 13632	CHIP 100kΩ 1/16W	NN05104610
					RR09		4822 117 13632	CHIP 100kΩ 1/16W	NN05104610
RJ61		4822 051 30222	CHIP 2.2kΩ 1/16W	NN05222610	RR10		4822 051 30472	CHIP 4.7kΩ 1/16W	NN05472610
RJ62		4822 051 30223	CHIP 22kΩ 1/16W	NN05223610	RR11		4822 051 30472	CHIP 4.7kΩ 1/16W	NN05472610
RJ63		4822 051 30222	CHIP 2.2kΩ 1/16W	NN05222610	RR12		4822 051 30472	CHIP 4.7kΩ 1/16W	NN05472610
RJ64		4822 051 30223	CHIP 22kΩ 1/16W	NN05223610	RR13		4822 051 30103	CHIP 10kΩ 1/16W	NN05103610
RJ65		4822 051 30222	CHIP 2.2kΩ 1/16W	NN05222610	RR14		4822 051 30103	CHIP 10kΩ 1/16W	NN05103610
RJ66		4822 051 30223	CHIP 22kΩ 1/16W	NN05223610	RR15		4822 051 30103	CHIP 10kΩ 1/16W	NN05103610
RJ67		4822 051 30222	CHIP 2.2kΩ 1/16W	NN05222610	RR16		4822 051 30759	CHIP 75Ω 1/16W	NN05750610
RJ68		4822 051 30223	CHIP 22kΩ 1/16W	NN05223610	RR17		4822 051 30339	CHIP 33Ω 1/16W	NN05330610
RJ69		4822 051 30222	CHIP 2.2kΩ 1/16W	NN05222610	RR18		4822 051 30339	CHIP 33Ω 1/16W	NN05330610
RJ70		4822 051 30223	CHIP 22kΩ 1/16W	NN05223610	RR19		4822 117 12925	CHIP 47kΩ 1/16W	NN05473610
RJ71		4822 051 30222	CHIP 2.2kΩ 1/16W	NN05222610					
RJ72		4822 051 30223	CHIP 22kΩ 1/16W	NN05223610	RR21		4822 051 30103	CHIP 10kΩ 1/16W	NN05103610
RJ73		4822 051 30222	CHIP 2.2kΩ 1/16W	NN05222610	RR22		9965 000 06300	CHIP 5.1kΩ ±5% 1/16W	NN0551261R
RJ74		4822 051 30471	CHIP 470Ω 1/16W	NN05471610	RR23		4822 117 12902	CHIP 8.2kΩ 1/16W	NN05822610
RJ75		4822 117 12925	CHIP 47kΩ 1/16W	NN05473610	RR24		4822 051 30302	CHIP 3kΩ ±5% 1/16W	NN05302610
RJ76		4822 117 12925	CHIP 47kΩ 1/16W	NN05473610	RR25		4822 051 30759	CHIP 75Ω 1/16W	NN05750610
RJ77		4822 051 30223	CHIP 22kΩ ±5% 1/16W	NN05223610	RR26		4822 051 30682	CHIP 6.8kΩ 1/16W	NN05682610
RJ78		4822 116 83211	CHIP 1.8kΩ ±5% 1/16W	NN05182610	RR29		4822 116 82487	CHIP 0Ω 1/16W	NN05000610
RJ79		4822 051 30184	CHIP 180kΩ ±5% 1/16W	NN05184610	RR30		4822 051 30479	CHIP 47Ω 1/16W	NN05470610
RJ80		4822 051 30273	CHIP 27kΩ ±5% 1/16W	NN05273610	R601		4822 116 82487	CHIP 0Ω 1/16W	NN05000610
RJ81		4822 051 30103	CHIP 10kΩ 1/16W	NN05103610	R602		4822 116 82487	CHIP 0Ω 1/16W	NN05000610
RJ82		4822 051 30103	CHIP 10kΩ 1/16W	NN05103610	R603		4822 116 82487	CHIP 0Ω 1/16W	NN05000610
RJ83					R604		4822 051 30105	CHIP 1.0MΩ 1/16W	NN05105610
∫		4822 051 30479	CHIP 47Ω 1/16W	NN05470610	R605		4822 051 30103	CHIP 10kΩ 1/16W	NN05103610
RJ90					R606				
RJ91		4822 051 30561	CHIP 560Ω 1/16W	NN05561610	∫		4822 116 82487	CHIP 0Ω 1/16W	NN05000610
RJ92		4822 051 30561	CHIP 560Ω 1/16W	NN05561610	R611				
RJ93		4822 117 12925	CHIP 47kΩ 1/16W	NN05473610	R612		4822 117 13632	CHIP 100kΩ 1/16W	NN05104610
RJ94		4822 117 12925	CHIP 47kΩ 1/16W	NN05473610	R613		4822 051 30103	CHIP 10kΩ 1/16W	NN05103610
RJ95		4822 051 30109	CHIP 10Ω ±5% 1/16W	NN05100610	R614		4822 051 30103	CHIP 10kΩ ±5% 1/16W	NN05103610
RJ96		4822 051 30109	CHIP 10Ω ±5% 1/16W	NN05100610	R616		4822 116 82487	CHIP 0Ω ±5% 1/16W	NN05000610
					R619		4822 116 82487	CHIP 0Ω ±5% 1/16W	NN05000610
RK01		4822 051 30562	CHIP 5.6kΩ ±5% 1/16W	NN05562610					

NOTE : "nsp" PART IS LISTED FOR REFERENCE ONLY, MARANTZ WILL NOT SUPPLY THESE PARTS.

POS. NO	VERS. COLOR	PART NO. (FOR PCS)	DESCRIPTION	PART NO. (MJJ)	POS. NO	VERS. COLOR	PART NO. (FOR PCS)	DESCRIPTION	PART NO. (MJJ)
R620		4822 116 82487	CHIP 0Ω 1/16W	NN05000610	QC09				
R621		4822 116 82487	CHIP 0Ω 1/16W	NN05000610	QC16		4822 130 43818	TRS. 2SC2878 A OR BRANK	HT328782A0
R622		4822 117 12925	CHIP 47kΩ 1/16W	NN05473610	QC17		4822 130 61903	DIG.TR.S. DTA114EU	BA10026210
R623		4822 117 12925	CHIP 47kΩ 1/16W	NN05473610	QC21		4822 130 43818	TRS. 2SC2878 A OR BRANK	HT328782A0
R624		4822 117 12925	CHIP 47kΩ 1/16W	NN05473610	QC22		4822 130 43818	TRS. 2SC2878 A OR BRANK	HT328782A0
R626		4822 117 12925	CHIP 47kΩ 1/16W	NN05473610	QC23		4822 209 17155	IC NJM2068M	HC10102090
R627		4822 117 13632	CHIP 100kΩ 1/16W	NN05104610	QC24		4822 130 61903	DIG.TR.S. DTA114EU	BA10026210
R628		4822 051 30103	CHIP 10kΩ 1/16W	NN05103610	QC25		4822 130 43818	TRS. 2SC2878 A OR BRANK	HT328782A0
R629		4822 051 30103	CHIP 10kΩ 1/16W	NN05103610	QC26		4822 130 43818	TRS. 2SC2878 A OR BRANK	HT328782A0
R631		4822 117 12925	CHIP 47kΩ ±5% 1/16W	NN05473610	QC51		4822 130 43818	TRS. 2SC2878 A OR BRANK	HT328782A0
R633		4822 116 82487	CHIP 0Ω 1/16W	NN05000610	QC53		4822 209 17155	IC NJM2068M	HC10102090
R634		4822 051 30103	CHIP 10kΩ ±5% 1/16W	NN05103610	QD01		9965 000 09114	IC AD1853JRS DAC 24/96kHz	HC10071840
R635		4822 117 13632	CHIP 100kΩ 1/16W	NN05104610	QD02		9965 000 06290	IC AD1852 DAC 24BIT/96kHz	HC10014840
R636		4822 117 13632	CHIP 100kΩ 1/16W	NN05104610	QD03		9965 000 06290	IC AD1852 DAC 24BIT/96kHz	HC10014840
R639		4822 051 30103	CHIP 10kΩ 1/16W	NN05103610	QD04		9965 000 06290	IC AD1852 DAC 24BIT/96kHz	HC10014840
R643					QD52		3141 018 50260	IC BA033T +3.3V 1A	HC36J33210
R645		4822 051 30103	CHIP 10kΩ 1/16W	NN05103610	QH01		9965 000 09115	IC NJM2082D DUAL J-OP-AMP	HC10080090
R649					QH02		9965 000 09115	IC NJM2082D DUAL J-OP-AMP	HC10080090
R650		4822 117 13632	CHIP 100kΩ 1/16W	NN05104610	QH03				
R651		4822 051 30103	CHIP 10kΩ 1/16W	NN05103610	QH06		5322 130 41844	F.E.T. 2SK170 BL	HF201701G0
R657					QH07				
R659		4822 051 30103	CHIP 10kΩ 1/16W	NN05103610	QH10		4822 130 62649	F.E.T. 2SK74 BL	HF100741G0
R660		4822 051 30103	CHIP 10kΩ 1/16W	NN05103610	QH11		4822 130 42843	F.E.T. 2SK389 GR OR BL	HF203892A0
R661		4822 051 30103	CHIP 10kΩ 1/16W	NN05103610	QH12		4822 130 42843	F.E.T. 2SK389 GR OR BL	HF203892A0
R662		4822 051 30103	CHIP 10kΩ ±5% 1/16W	NN05103610	QH13		4822 130 43233	TRS. 2SC2240	HT322402A0
R664		4822 051 30103	CHIP 10kΩ ±5% 1/16W	NN05103610	QH14		4822 130 43233	TRS. 2SC2240	HT322402A0
R666		4822 116 82487	CHIP 0Ω ±5% 1/16W	NN05000610	QH15				
R668		4822 051 30103	CHIP 10kΩ ±5% 1/16W	NN05103610	QH18		4822 130 42949	TRS. 2SA970	HT109702A0
R669		4822 116 82487	CHIP 0Ω ±5% 1/16W	NN05000610	QH19				
R675					QH22		4822 130 43233	TRS. 2SC2240	HT322402A0
R676		4822 051 30103	CHIP 10kΩ 1/16W	NN05103610	QH23		5322 130 41844	F.E.T. 2SK170 BL	HF201701G0
R678		4822 051 30103	CHIP 10kΩ 1/16W	NN05103610	QH24		5322 130 41844	F.E.T. 2SK170 BL	HF201701G0
R682					QH25		4822 130 62649	F.E.T. 2SK74 BL	HF100741G0
R684		4822 051 30103	CHIP 10kΩ 1/16W	NN05103610	QH26		4822 130 62649	F.E.T. 2SK74 BL	HF100741G0
R689					QH27		4822 209 17155	IC NJM2068M	HC10102090
R690		4822 117 12925	CHIP 47kΩ 1/16W	NN05473610	QJ01		4822 209 17155	IC NJM2068M	HC10102090
R691		4822 117 12925	CHIP 47kΩ 1/16W	NN05473610	QJ02		4822 209 17155	IC NJM2068M	HC10102090
R692		4822 116 82487	CHIP 0Ω ±5% 1/16W	NN05000610	QJ31		4822 209 17155	IC NJM2068M	HC10102090
R694		4822 116 82487	CHIP 0Ω 1/16W	NN05000610	QJ32		4822 209 17155	IC NJM2068M	HC10102090
R696		4822 051 30103	CHIP 10kΩ 1/16W	NN05103610	QJ61		4822 209 17155	IC NJM2068M	HC10102090
			P604-SEMICONDUCTORS		QJ62		4822 209 17155	IC NJM2068M	HC10102090
DH01		4822 130 81324	CHIP DIODE 1SS302	HZ20018050	QJ63		5322 130 41844	F.E.T. 2SK170 BL	HF201701G0
DH06					QJ64		5322 130 41844	F.E.T. 2SK170 BL	HF201701G0
DK01		4822 130 81324	CHIP DIODE 1SS302	HZ20018050	QJ65		4822 130 62649	F.E.T. 2SK74 BL	HF100741G0
DK04					QJ66		4822 130 62649	F.E.T. 2SK74 BL	HF100741G0
DR01		4822 130 81324	CHIP DIODE 1SS302	HZ20018050	QK01		9965 000 09111	IC AK5383VS 96kHz ADC	HC10033480
DR02		4822 130 81324	CHIP DIODE 1SS302	HZ20018050	QK03				
DR03		4822 130 81324	CHIP DIODE 1SS302	HZ20018050	QK06		4822 209 17155	IC NJM2068M	HC10102090
D693		4822 130 83715	CHIP DIODE ISS301	HZ21005000	QK07		9965 000 09112	IC NJM78L09A +9V 0.1A	HC38109090
D696					QK08		4822 209 83826	IC NJM79L09A -9V 0.1A	HC39109090
D698		4822 130 80522	CHIP DIODE ISS300	HZ21006000	QK10		4822 130 43818	TRS. 2SC2878 A OR BRANK	HT328782A0
QC01		4822 130 43818	TRS. 2SC2878 A OR BRANK	HT328782A0	QK11		4822 130 43818	TRS. 2SC2878 A OR BRANK	HT328782A0
QC02		4822 130 43818	TRS. 2SC2878 A OR BRANK	HT328782A0	QK12		4822 130 61903	DIG.TR.S. DTA114EU	BA10026210
QC04		4822 130 61903	DIG.TR.S. DTA114EU	BA10026210	QR01		4822 209 31568	IC 74HCU04 CMOS FLAT	HC700400Z0
QC05		4822 130 43818	TRS. 2SC2878 A OR BRANK	HT328782A0	QR02		9965 000 01342	IC TC74HC151AF	HC715100Z0
QC06		4822 130 43818	TRS. 2SC2878 A OR BRANK	HT328782A0	QR03		9965 000 01342	IC TC74HC151AF	HC715100Z0
QC07		4822 130 61903	DIG.TR.S. DTA114EU	BA10026210	QR04		4822 209 30426	IC CMOS 74HC00 FLAT	HC700000Z0
					QR05		9965 000 06294	IC LC89055 SPDIF RECORDER	HC10405030
					QR06		4822 209 13267	IC TC74HCT7007AF SOP	HC800705Q0
					Q601		9965 000 01321	IC YSS912 DTS/AC-3 DECOD.	HC10014640

NOTE : *hsp* PART IS LISTED FOR REFERENCE ONLY, MARANTZ WILL NOT SUPPLY THESE PARTS.

POS. NO	VERS. COLOR	PART NO. (FOR PCS)	DESCRIPTION	PART NO. (MJJ)	POS. NO	VERS. COLOR	PART NO. (FOR PCS)	DESCRIPTION	PART NO. (MJJ)
Q604		9965 000 09116	IC AK7706VT DSP	HC10032480	X692		9965 000 01346	CERAMIC VIB. CST20 00MXW	FQ02005030
Q605		9965 000 09117	IC ICS502M	HC10142990	X693		9965 000 04977	CERAMIC VIB.	FQ08004060
Q606		4822 209 12079	IC TCW125FU	HC715300Z0				CSTS MG 8MHz 15pF	
Q607		4822 209 90597	IC TCW125FU	HC10409050					
Q608		9965 000 09118	IC XCB56362PV100	HC10112170					
Q609		9965 000 09119	IC TMP93PW44ADF PROGRAMMED	*HS330JT2R					
Q610		9965 000 09120	IC SRAM 1M 3.3V 10NS	HC10143990	C701		9965 000 01560	FILM 270pF ±5% 100V OFC	OF55271540
Q611		9965 000 09120	IC SRAM 1M 3.3V 10NS	HC10143990	C702		4822 121 10867	FILM 0.1µF ±5% 100V OFC	OF55104540
Q612		9965 000 09120	IC SRAM 1M 3.3V 10NS	HC10143990	C703		4822 124 90365	ELECT. 220µF M 25V RA-2	OA22702520
Q613		4822 209 90685	IC TC7SH04FU	HC007705K0	C704		4822 124 90365	ELECT. 220µF M 25V RA-2	OA22702520
Q614		4822 209 90685	IC TC7SH04FU	HC007705K0	C705		9965 000 01561	MICA 10pF ±0.5pF 500V FE	DF31100520
Q615		9965 000 01326	IC TCW32FU	HC10419050	C707		4822 124 23562	ELECT. 10µF M 100V RA-2	OA10610020
Q616		4822 209 90685	IC TC7SH04FU	HC007705K0	C708		4822 124 12276	FILM 0.01µF 100V PP	OF15103540
Q651		9965 000 09121	IC µPD78F0034GC-AB8 PROGRAMMED	*HS330JN0R	C710		4822 124 22273	ELECT. 0.47µF M 50V RA-2	OA47405020
Q652		4822 209 12848	IC 74HC573 FLAT	HC757300R0	C711		9965 000 01562	ELECT. 10µF M 50V RA2BP	EQ10605090
Q653		9965 000 09122	IC 4M EEPROM PROGRAMMED	*HC330JSTR	C712		9965 000 01562	ELECT. 10µF M 50V RA2BP	EQ10605090
Q654		4822 209 13267	IC TC74HCT7007AF SOP	HC800705Q0	C713		9965 000 02014	ELECT. 220µF 50V ARS	OA22705040
Q655		9965 000 06673	IC TC7WHU04FµF TRIPLE INVERTER	HC008005K0	C714		9965 000 02014	ELECT. 220µF 50V ARS	OA22705040
Q694		4822 209 33521	IC TC7W04FU	HC10382050	C715		9965 000 01564	FILM 680pF ±5% 100V OFC	OF55681540
Q695		4822 209 32921	IC S-80745AN	HC10048530	R705		4822 111 20413	220Ω ±1% 1/4W ERD	NR01221140
JR01		4822 267 41157	TERMINAL 14X14 RA 1L3P B	YT02030610	▲ R707		4822 052 10102	1kΩ ±5% 1/6W	GG05102160
JR04		9322 155 48687	OPT RECEIVER P1FA550RZ	YJ15000180	▲ R708		4822 052 10102	1kΩ ±5% 1/6W	GG05102160
JR05		9322 155 48687	OPT RECEIVER P1FA550RZ	YJ15000180	▲ R709		4822 111 31001	330Ω ±5% 1/6W	GG05331160
JR06		9322 155 48687	OPT RECEIVER P1FA550RZ	YJ15000180	▲ R710		4822 111 31001	330Ω ±5% 1/6W	GG05331160
JR07		4822 290 81638	TERMINAL 14X14 RA 1L1P B	YT02010790	R713		9965 000 01565	68Ω ±1% 1/4W ERD	NR01680140
JR08		9322 155 28667	OPT OUTPUT P1FA550TZ	YJ15000190	R714		4822 111 20413	220Ω ±1% 1/4W ERD	NR01221140
JR12		9965 000 03413	TERMINAL 14X14 RCA 1L2P O	YT02021640	R715		4822 111 20413	220Ω ±1% 1/4W ERD	NR01221140
LD01					R716		4822 111 20413	220Ω ±1% 1/4W ERD	NR01221140
LD08		4822 526 10584	FERRITE CORE ZBF-503D-00TA	FC90090010	R717		4822 050 23308	3.3MΩ ±5% 1/6W	GD05335160
LD09					R718		4822 050 23308	3.3MΩ ±5% 1/6W	GD05335160
LD12		4822 157 10884	INDUCTOR BLM11	FN31000010	R719		4822 050 23308	3.3MΩ ±5% 1/6W	GD05335160
LD59		4822 242 73843	EMI FILTER 0.022µF	FM12223010	R721				
LK01					R722		4822 116 52115	680Ω ±5% 1W	GA05681010
LK03		4822 526 10584	FERRITE CORE ZBF-503D-00TA	FC90090010	R724				
LK05		4822 526 10584	FERRITE CORE ZBF-503D-00TA	FC90090010	R727		9965 000 01566	TRIM. 2.2KΩ VERT	RA02220760
LK41					R728		4822 052 10109	10Ω ±5% 1/6W	GG05100160
LK49		4822 526 10584	FERRITE CORE ZBF-503D-00TA	FC90090010	R729		4822 052 10101	100Ω ±5% 1/6W	GG05101160
LR01		4822 142 60422	PULSE TRANSF. TPS247MN-0386AN	TP41042030	R730		4822 052 10101	100Ω ±5% 1/6W	GG05101160
LR02		4822 242 73843	EMI FILTER 0.022µF	FM12223010	▲ R731		4822 050 22209	22Ω ±5% 1/4W	GG05220140
LR50					▲ R732		4822 050 22209	22Ω ±5% 1/4W	GG05220140
LR53					R733		4822 052 10471	470Ω ±5% 1/6W	GG05471160
LR54		4822 242 73843	EMI FILTER DSS306-91-F-223Z	FM12223010	R734		4822 052 10471	470Ω ±5% 1/6W	GG05471160
LR55					R735		4822 050 26809	68Ω ±5% 1/6W	GG05680160
LR58					R736		4822 050 26809	68Ω ±5% 1/6W	GG05680160
L602		4822 242 73843	EMI FILTER 0.022µF	FM12223010	▲ R737		4822 052 10151	150Ω ±5% 1/6W	GG05151160
L650		4822 526 10584	FERRITE CORE ZBF-503D-00TA	FC90090010	R738			JUMPER	75060501P0
L651		4822 242 73843	EMI FILTER 0.022µF	FM12223010	R739		4822 052 10109	10Ω ±5% 1/6W	GG05100160
L692					R740		4822 052 10109	10Ω ±5% 1/6W	GG05100160
L698		4822 157 10884	INDUCTOR BLM11	FN31000010	▲ R741		4822 111 91402	FIXED 0.10Ω x 2 3W	BZ10102010
X601		4822 242 10851	CRYSTAL 12.288MHz AT-49	JX12013260	R742		4822 052 10102	1kΩ ±5% 1/6W	GG05102160
					R743		4822 052 10102	1kΩ ±5% 1/6W	GG05102160
					R***				
								P704-RESISTORS (COMMON)	
								CARBON FILM FIXED RES. ±5% 1/6W :R701-R704 R711 R712 R720 R725 R726 R744-R747	
								P704-SEMICONDUCTORS	
					D701		4822 130 83385	ZENER DIODE HZ20L-1	HD30020010
					D702		4822 130 83385	ZENER DIODE HZ20L-1	HD30020010
					D703		4822 130 32362	DIODE 1SS176 MA165 1SS254 30V 0.1A	HD20002000
					D704		4822 130 80837	DIODE HSS81TD 150V 150mA	HD20027010

NOTE : *nsp* PART IS LISTED FOR REFERENCE ONLY, MARANTZ WILL NOT SUPPLY THESE PARTS.

POS. NO	VERS. COLOR	PART NO. (FOR PCS)	DESCRIPTION	PART NO. (MJI)	POS. NO	VERS. COLOR	PART NO. (FOR PCS)	DESCRIPTION	PART NO. (MJI)
D705		4822 130 32362	DIODE 1SS176 MA165 1SS254 30V 0.1A	HD20002000	C830		4822 124 22698	ELECT. 47μF M 25V RA-2	OA47602520
D712					C850		4822 122 30043	CER. 0.01μF Z 50V	DK18103310
D713		4822 130 33948	ZENER DIODE 5.6V	HD30561000	C851		4822 124 90354	ELECT. 100μF M 16V RA-2	OA10701620
D714		4822 130 33948	ZENER DIODE 5.6V	HD30561000	C852		4822 122 40617	CER. 0.1μF +80%-20% 50V DC	DD38104010
D715		4822 130 80837	DIODE HSS81TD 150V 150mA	HD20027010	C853		4822 124 41543	ELECT. 1μF M 50V RA-2	OA10505020
D716		4822 130 80837	DIODE HSS81TD 150V 150mA	HD20027010	C854		4822 122 40617	CER. 0.1μF +80%-20% 50V DC	DD38104010
D717		4822 130 80837	DIODE HSS81TD 150V 150mA	HD20027010	C855		4822 122 40617	CER. 0.1μF +80%-20% 50V DC	DD38104010
Q701		9965 000 09127	UNIT & H-IC NEW HDAM	KH313J1010	C857		4822 124 90353	ELECT. 100μF M 10V RA-2	OA10701020
Q702		4822 130 60526	TRS. 2SD1508 DARLINGTON	HT415080A0	C860		4822 124 90354	ELECT. 100μF M 16V RA-2	OA10701620
Q703		4822 130 42949	TRS. 2SA970GR OR BL	HT109702A0	C861		4822 122 30043	CER. 0.01μF Z 50V	DK18103310
Q704		4822 130 43233	TRS. 2SC2240 GR OR BL	HT322402A0	C862		4822 122 30043	CER. 0.01μF Z 50V	DK18103310
Q705		4822 130 42949	TRS. 2SA970 GR OR BL	HT109702A0	▲ C870			CER. DE1607-1F 103M-KH	DK17103910
Q706		4822 130 43233	TRS. 2SC2240 GR OR BL	HT322402A0	C871		4822 122 30043	CER. 0.01μF Z 50V	DK18103310
Q707		4822 130 43283	TRS. 2SC2705 O OR Y	HT327052A0				PV04-CAPACITORS (COMMON)	
Q708		4822 130 42999	TRS. 2SA1145 O OR Y	HT111452A0	***			PLASTIC FILM CAPACITOR	
Q709		4822 130 42999	TRS. 2SA1145 O OR Y	HT111452A0				±5% 50V :C856 CN10 CN11	
Q710		4822 130 43283	TRS. 2SC2705 O OR Y	HT327052A0				P804-RESISTORS	
Q711		4822 130 43283	TRS. 2SC2705 O OR Y	HT327052A0	▲ RN01		4822 052 10229	22Ω ±5% 1/6W	GG05220160
Q712		4822 130 42999	TRS. 2SA1145 O OR Y	HT111452A0	RN24		4822 053 10109	10Ω ±5% 1W	GA05100010
▲ Q713		4822 130 63635	TRS. 2SC4793 O OR Y	HT347932A0	RN25		4822 053 10109	10Ω ±5% 1W	GA05100010
▲ Q714		4822 130 63634	TRS. 2SA1837 O OR Y	HT118372A0	▲ R801		4822 117 10158	1Ω ±5% 1/4W	GG05010140
▲ Q715		4822 130 63676	TRS. 2SC3284 O P Y 125W	HT332843D0	▲ R802		4822 117 10158	1Ω ±5% 1/4W	GG05010140
Q716		4822 130 63674	TRS. 1 2SA1303 O P Y 125W	HT113033D0	▲ R805		4822 116 60323	5.6Ω ±5% 1W	GA05056010
Q717		4822 130 43233	TRS. 2SC2240 GR OR BL	HT322402A0	▲ R806		4822 116 60323	5.6Ω ±5% 1W	GA05056010
Q718		4822 130 42949	TRS. 2SA970 GR OR BL	HT109702A0	▲ R809		4822 052 10478	4.7Ω ±5% 1/6W	GG05047160
			P804-POWER SUPPLY CIRCUIT BOARD		▲ R810		4822 052 10478	4.7Ω ±5% 1/6W	GG05047160
			P804-CAPACITORS		▲ R811		4822 050 21108	1Ω ±5% 1/2W	GG05010120
CN01		4822 124 41543	ELECT. 1μF M 50V RA-2	OA10505020	▲ R812		4822 050 21108	1Ω ±5% 1/2W	GG05010120
CN02		4822 122 30043	CER. 0.01μF Z 50V	DK18103310	▲ R813		4822 117 10158	1Ω ±5% 1/4W	GG05010140
CN03		4822 124 22698	ELECT. 47μF M 25V RA-2	OA47602520	R814		4822 117 10158	1Ω ±5% 1/4W	GG05010140
CN04		4822 122 40617	CER. 0.1μF +80%-20% 50V DC	DD38104010	R851		4822 052 10109	10Ω ±5% 1/4W	GG05100140
CN05		4822 122 30043	CER. 0.01μF Z 50V	DK18103310	R857			0Ω ±5% 1/6W	GD05000160
CN06		4822 124 22698	ELECT. 47μF M 25V RA-2	OA47602520	R863		4822 117 10158	1Ω ±5% 1/4W	GG05010140
CN07		5322 124 21731	ELECT. 10μF M 50V RA-2	OA10605020				P804-RESISTORS (COMMON)	
CN08		4822 124 22273	ELECT. 0.47μF M 50V RA-2	OA47405020	***			CARBON FILM FIXED RES.	
CN09		4822 122 30043	CER. 0.01μF Z 50V	DK18103310				±5% 1/6W : R803 R804 R807	
CN12	/L,/N,/S	4822 122 40586	CER. 10000pF	DA17103110				R808 R852-R856 R859-R862	
CN13	/L,/N,/S	4822 122 40586	CER. 10000pF	DA17103110				RN01-RN17 RN19-RN23	
CN14		4822 122 30043	CER. 0.01μF Z 50V	DK18103310				RN26-RN30	
C801		4822 122 40617	CER. 0.1μF +80%-20% 50V DC	DD38104010				P804-SEMICONDUCTORS	
C802		4822 122 40617	CER. 0.1μF +80%-20% 50V DC	DD38104010	DN01		4822 130 82421	DIODE 1D3 1A 200V	HD20002710
C803		9965 000 09128	ELECT. UFW1V222MHA1AA G	OC22803530	DN02		4822 130 32362	DIODE 1SS176 MA165 1SS254 30V 0.1A	HD20002000
C804		9965 000 09128	ELECT. UFW1V222MHA1AA G	OC22803530	DN03		4822 130 82421	DIODE 1D3 1A 200V	HD20002710
C805					DN04		4822 130 32362	DIODE 1SS176 MA165 1SS254 30V 0.1A	HD20002000
C808		4822 122 30043	CER. 0.01μF Z 50V	DK18103310					
C809		4822 124 41535	ELECT. 100μF M 25V RA-2	OA10702520	▲ D801		4822 130 10413	BRIDGE DIODE D2SBA20	HE20027290
C810		4822 124 41535	ELECT. 100μF M 25V RA-2	OA10702520	D803		4822 130 80674	ZENER DIODE 16V	HD31601000
C811		9965 000 08115	ELECT.	OA33701640	D804		4822 130 80674	ZENER DIODE 16V	HD31601000
C812		9965 000 08115	ELECT.	OA33701640	D805				
C813		9965 000 01569	CER. 0.01μF +80%-20% 50V	DD38103010			4822 130 82421	DIODE 1D3 1A 200V	HD20002710
C814		9965 000 01569	CER. 0.01μF +80%-20% 50V	DD38103010	D814				
C815		9965 000 09129	ELECT. UFW1H222MHA1AA G	OC22805030	D830		4822 130 32362	DIODE 1SS176 MA165 1SS254 30V 0.1A	HD20002000
C816		9965 000 09129	ELECT. UFW1H222MHA1AA G	OC22805030	D831		4822 130 33948	ZENER DIODE 5.6V	HD30561000
C817		9965 000 01569	CER. 0.01μF +80%-20% 50V	DD38103010	D832		4822 130 32362	DIODE 1SS176 MA165 1SS254 30V 0.1A	HD20002000
C818		9965 000 01569	CER. 0.01μF +80%-20% 50V	DD38103010					
C819		4822 124 11583	ELECT. 2200μF M 35V RA-2	OA22803520	▲ D851		9322 143 37687	DIODE FCH20A15	HE10005100
C820		4822 124 11583	ELECT. 2200μF M 35V RA-2	OA22803520	▲ D852		9965 000 09130	DIODE FRH20A15	HE10006100
C821		4822 122 30043	CER. 0.01μF Z 50V	DK18103310	D870		4822 130 82421	DIODE 1D3 1A 200V	HD20002710
C822		4822 122 30043	CER. 0.01μF Z 50V	DK18103310					
C823		4822 122 40617	CER. 0.1μF +80%-20%	DD38104010	QN01		4822 209 83312	IC TA7317P	HC10042050
C824		4822 122 40617	CER. 0.1μF +80%-20%	DD38104010	QN03		4822 130 43233	TRS. 2SC2240 GR OR BL	HT322402A0
C825		4822 124 90354	ELECT. 100μF M 16V RA-2	OA10701620	QN04		4822 130 42292	TRS. 2SC2120 O	HT321201A0
C826		4822 124 90354	ELECT. 100μF M 16V RA-2	OA10701620					
C827		4822 122 40617	CER. 0.1μF +80%-20% 50V DC	DD38104010					
C828		4822 122 40617	CER. 0.1μF +80%-20% 50V DC	DD38104010					

NOTE : "nsp" PART IS LISTED FOR REFERENCE ONLY, MARANTZ WILL NOT SUPPLY THESE PARTS.

POS. NO	VERS. COLOR	PART NO. (FOR PCS)	DESCRIPTION	PART NO. (MJ)	POS. NO	VERS. COLOR	PART NO. (FOR PCS)	DESCRIPTION	PART NO. (MJ)
Q805		4822 209 83317	IC NJM7815FA +15V 1A	HC38915090	R928		4822 052 10109	10Ω ±5% 1/6W	GG05100160
Q806		4822 209 61256	IC NJM7915FA	HC39915090	R929		4822 052 10101	100Ω ±5% 1/6W	GG05101160
Q830		4822 130 43233	TRS. 2SC2240 GR OR BL	HT322402A0	R930		4822 052 10101	100Ω ±5% 1/6W	GG05101160
Q850		4822 130 42836	F.E.T. 2SK246 Y OR GR	HF202462B0	▲ R931		4822 050 22209	22Ω ±5% 1/4W	GG05220140
Q851		4822 130 43233	TRS. 2SC2240 GR OR BL	HT322402A0	▲ R932		4822 050 22209	22Ω ±5% 1/4W	GG05220140
Q852		4822 130 43233	TRS. 2SC2240 GR OR BL	HT322402A0	R933		4822 052 10471	470Ω ±5% 1/6W	GG05471160
Q853		4822 130 60117	TRS. 2SC3419 Y 40V 0.8A	HT334191Y0	R934		4822 052 10471	470Ω ±5% 1/6W	GG05471160
Q854		4822 209 83679	IC NJM2904 DUAL OP-AMP	HC10030090	R935		4822 050 26809	68Ω ±5% 1/6W	GG05680160
			P804-MISCELLANEOUS		R936		4822 050 26809	68Ω ±5% 1/6W	GG05680160
▲ F870	/F		FUSE 250V 10A MITI GRU	FS11000570	▲ R937		4822 052 10151	150Ω ±5% 1/6W	GG05151160
F870	/L		FUSE 10A 250V	FS11000530	R938			JUMPER	75060501P0
			GGL10 GBM10 U/C/D		R939		4822 052 10109	10Ω ±5% 1/6W	GG05100160
▲ F870	/N,/S	4822 070 34002	FUSE 4 A 250V BS LISTED	FS10400850	R940		4822 052 10109	10Ω ±5% 1/6W	GG05100160
▲ F871	/F,/L		FUSE 630mA 250V	FS10063350	▲ R941		4822 111 91402	FIXED 0.10Ω x 2 3W	BZ10102010
			FBT UL/MITI		R942		4822 052 10102	1kΩ ±5% 1/6W	GG05102160
F871	/N,/S	4822 070 33151	FUSE 315mA 250V BS LISTED	FS10031850	R943		4822 052 10102	1kΩ ±5% 1/6W	GG05102160
▲ J878	/F	4822 267 31417	JACK AC OUTLET	YJ04001840				P904-RESISTORS (COMMON)	
LN01		4822 280 70354	RELAY VB	LY20240310				CARBON FILM FIXED RES.	
			24MBU-510 5A 240VAC					±5% 1/6W : R901-R904 R911	
L801		4822 242 73843	EMI FILTER DSS306-91-F-223Z	FM12223010				R912 R920 R925 R926	
▲ L870		4822 157 70419	LF-4D-102	FN01020020				R944-R947	
L872		4822 280 80773	RELAY VS24MB-NR TV-8	LY10240240				P904-SEMICONDUCTORS	
			SEMKO LISTED		D901		4822 130 83385	ZENER DIODE HZ20L-1	HD30020010
			P884-POWER SW		D902		4822 130 83385	ZENER DIODE HZ20L-1	HD30020010
			CIRCUIT BOARD		D903		4822 130 32362	DIODE 1SS176 MA165 1SS254	HD20002000
▲ C880			CER. DE1607-1F 103M-KH	DK17103910				30V 0.1A	
S880		9965 000 01777	PUSH SWITCH SDDL1B-1-B1-D2	SP01012460	D904		4822 130 80837	DIODE HSS81TD 150V 150mA	HD20027010
			TV-5 M3 LEAD LEG		D905				
			P904-MAIN AMP RCH		D905				
			CIRCUIT BOARD		D912		4822 130 32362	DIODE 1SS176 MA165 1SS254	HD20002000
			P904-CAPACITORS		D913		4822 130 33948	30V 0.1A	
C901		9965 000 01560	FILM 270pF ±5% 100V OFC	OF55271540	D914		4822 130 33948	ZENER DIODE 5.6V	HD30561000
C902		4822 121 10867	FILM 0.1µF ±5% 100V OFC	OF55104540	D915		4822 130 33948	ZENER DIODE 5.6V	HD30561000
C903		4822 124 90365	ELECT. 220µF M 25V RA-2	OA22702520	D916		4822 130 80837	DIODE HSS81TD 150V 150mA	HD20027010
C904		4822 124 90365	ELECT. 220µF M 25V RA-2	OA22702520	D917		4822 130 80837	DIODE HSS81TD 150V 150mA	HD20027010
C905		9965 000 01561	MICA 10pF ±0.5pF 500V FE	DF31100520					
C907		4822 124 23562	ELECT. 10µF M 100V RA-2	OA10610020	K901			TRS. KIT 2SA1837 2SC4793	HK183719C0
C908		4822 124 12276	FILM 0.01µF 100V PP	OF15103540				HFE SELECTED RANK	
C910		4822 124 22273	ELECT. 0.47µF M 50V RA-2	OA47405020	Q901		9965 000 09127	UNIT & H-IC NEW HDAM	KH313J1010
C911		9965 000 01562	ELECT. 10µF M 50V RA2BP	EQ10605090	Q902		4822 130 60526	TRS. 2SD1508 DARLINGTON	HT415080A0
C912		9965 000 01562	ELECT. 10µF M 50V RA2BP	EQ10605090	Q903		4822 130 42949	TRS. 2SA970GR OR BL	HT109702A0
C913		9965 000 02014	ELECT. 220µF 50V ARS	OA22705040	Q904		4822 130 43233	TRS. 2SC2240 GR OR BL	HT322402A0
C914		9965 000 02014	ELECT. 220µF 50V ARS	OA22705040	Q905		4822 130 42949	TRS. 2SA970 GR OR BL	HT109702A0
C915		9965 000 01564	FILM 680pF ±5% 100V OFC	OF55681540	Q906		4822 130 43233	TRS. 2SC2240 GR OR BL	HT322402A0
			P904-RESISTORS		Q907		4822 130 43283	TRS. 2SC2705 O OR Y	HT327052A0
R905		4822 111 20413	220Ω ±1% 1/4W ERD	NR01221140	Q908		4822 130 42999	TRS. 2SA1145 O OR Y	HT111452A0
▲ R907		4822 052 10102	1kΩ ±5% 1/6W	GG05102160	Q909		4822 130 42999	TRS. 2SA1145 O OR Y	HT111452A0
▲ R908		4822 052 10102	1kΩ ±5% 1/6W	GG05102160	Q910		4822 130 43283	TRS. 2SC2705 O OR Y	HT327052A0
▲ R909		4822 111 31001	330Ω ±5% 1/6W	GG05331160	Q911		4822 130 43283	TRS. 2SC2705 O OR Y	HT327052A0
▲ R910		4822 111 31001	330Ω ±5% 1/6W	GG05331160	Q912		4822 130 42999	TRS. 2SA1145 O OR Y	HT111452A0
R913		9965 000 01565	68Ω ±1% 1/4W ERD	NR01680140	▲ Q913		4822 130 63635	TRS. 2SC4793 O OR Y	HT347932A0
R914		4822 111 20413	220Ω ±1% 1/4W ERD	NR01221140	▲ Q914		4822 130 63634	TRS. 2SA1837 O OR Y	HT118372A0
R915		4822 111 20413	220Ω ±1% 1/4W ERD	NR01221140	▲ Q915		4822 130 63676	TRS. 2SC3284 O P Y 125W	HT332843D0
R916		4822 111 20413	220Ω ±1% 1/4W ERD	NR01221140	▲ Q916		4822 130 63674	TRS. 2SA1303 O P Y 125W	HT113033D0
R917		4822 050 23308	3.3MΩ ±5% 1/6W	GD05335160	Q917		4822 130 43233	TRS. 2SC2240 GR OR BL	HT322402A0
R918		4822 050 23308	3.3MΩ ±5% 1/6W	GD05335160	Q918		4822 130 42949	TRS. 2SA970 GR OR BL	HT109702A0
R919		4822 050 23308	3.3MΩ ±5% 1/6W	GD05335160					
R921									
}		4822 116 52115	680Ω ±5% 1W	GA05681010					
R924									
R927		9965 000 01566	TRIM. 2.2KΩ VERT	RA02220760					

NOTE : "nsp" PART IS LISTED FOR REFERENCE ONLY, MARANTZ WILL NOT SUPPLY THESE PARTS.